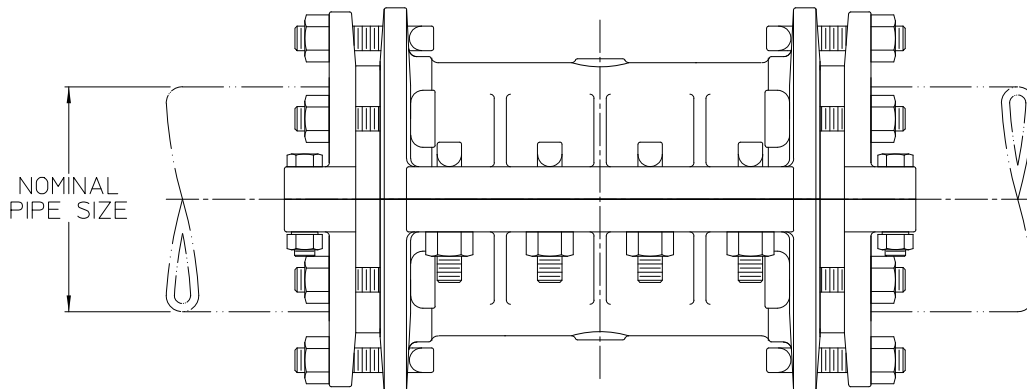
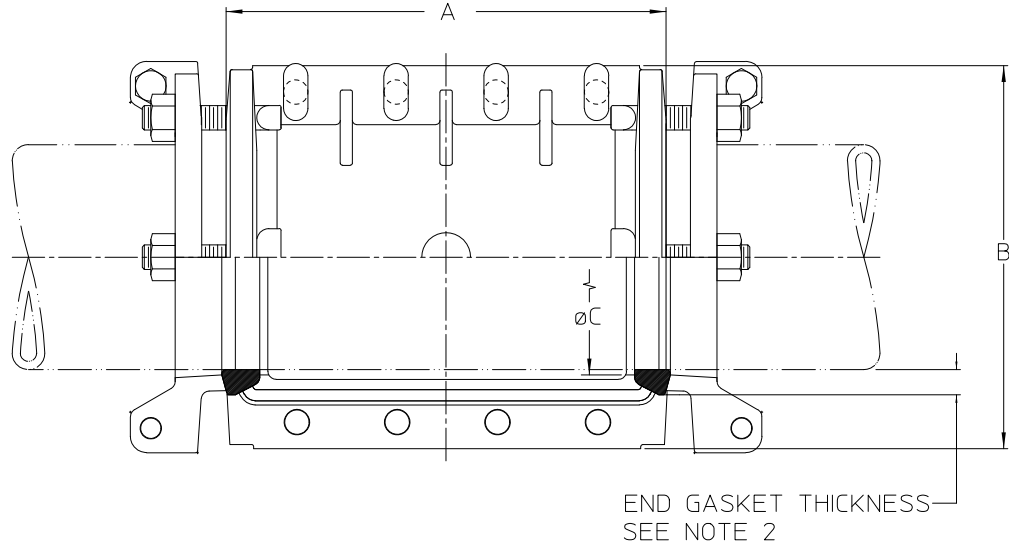


# AMERICAN Flow Control Submittal Information

## 4"-16" SERIES 2800 DUCTILE-IRON REPAIR SLEEVE



IL3673-1

Sleeve Size (NPS)	4	6	8	10	12	16
A	10-7/8	13-1/2	15	16-3/4	19-1/2	22-1/2
B	9-5/8	11-3/4	13-7/8	16-5/8	18-1/2	23-1/2
C DIA	5-1/8	7-7/32	9-7/16	11-17/32	13-5/8	17-31/32
Weight (LBS)	93	134	147	238	283	547

### NOTES:

- 250 psig rated working pressure.
- (Gasket Thickness) Two 3/4" thick gaskets which fit ductile-iron and centrifugally cast gray-iron pipe and two 5/8" thick gaskets used for pit-cast pipe are supplied. See table on next page for range of pipe sizes each size gasket can be used with.



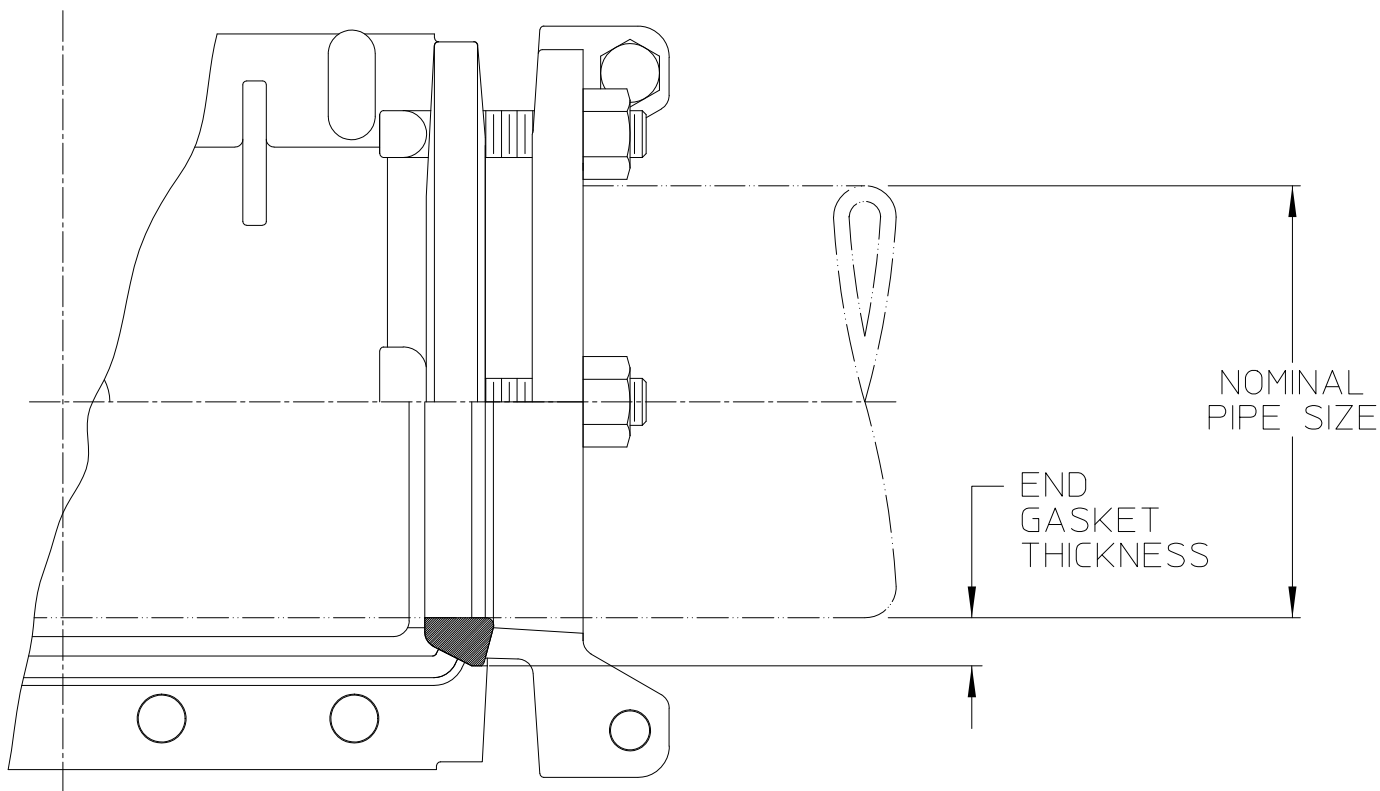
**AMERICAN**  
FLOW CONTROL

**THE RIGHT WAY**

AMERICAN Flow Control  
P.O. Box 2727  
Birmingham, Al. 35202-2727  
Phone: 1-800-326-8051  
Fax: 1-800-610-3569  
E-mail: afcsales@american-usa.com

Waterous Company  
125 Hardman Avenue South  
South St. Paul, Mn. 55075-1191  
Phone: 1-888-266-3686  
Fax: 1-800-601-2809  
E-mail: afcsales@american-usa.com

[WWW.AMERICAN-USA.COM](http://WWW.AMERICAN-USA.COM)



IL3708

Nominal Pipe Size	3/4-inch Thick End Gaskets				5/8-inch Thick End Gaskets			
	Diameter		Circumference		Diameter		Circumference	
	Minimum	Maximum	Minimum	Maximum	Minimum	Maximum	Minimum	Maximum
4	4.74	4.86	14-7/8	15-1/4	4.86	5.06	15-1/4	15-7/8
6	6.84	6.96	21-1/2	21-7/8	6.96	7.16	21-7/8	22-1/2
8	8.99	9.11	28-1/4	28-5/8	9.11	9.37	28-5/8	29-7/16
10	11.04	11.16	34-11/16	35-1/16	11.16	11.44	35-1/16	35-5/16
12	13.14	13.26	41-5/16	41-11/16	13.26	13.53	41-11/16	42-1/2
16	17.34	17.46	54-1/2	54-7/8	17.46	17.87	54-7/8	56-1/8



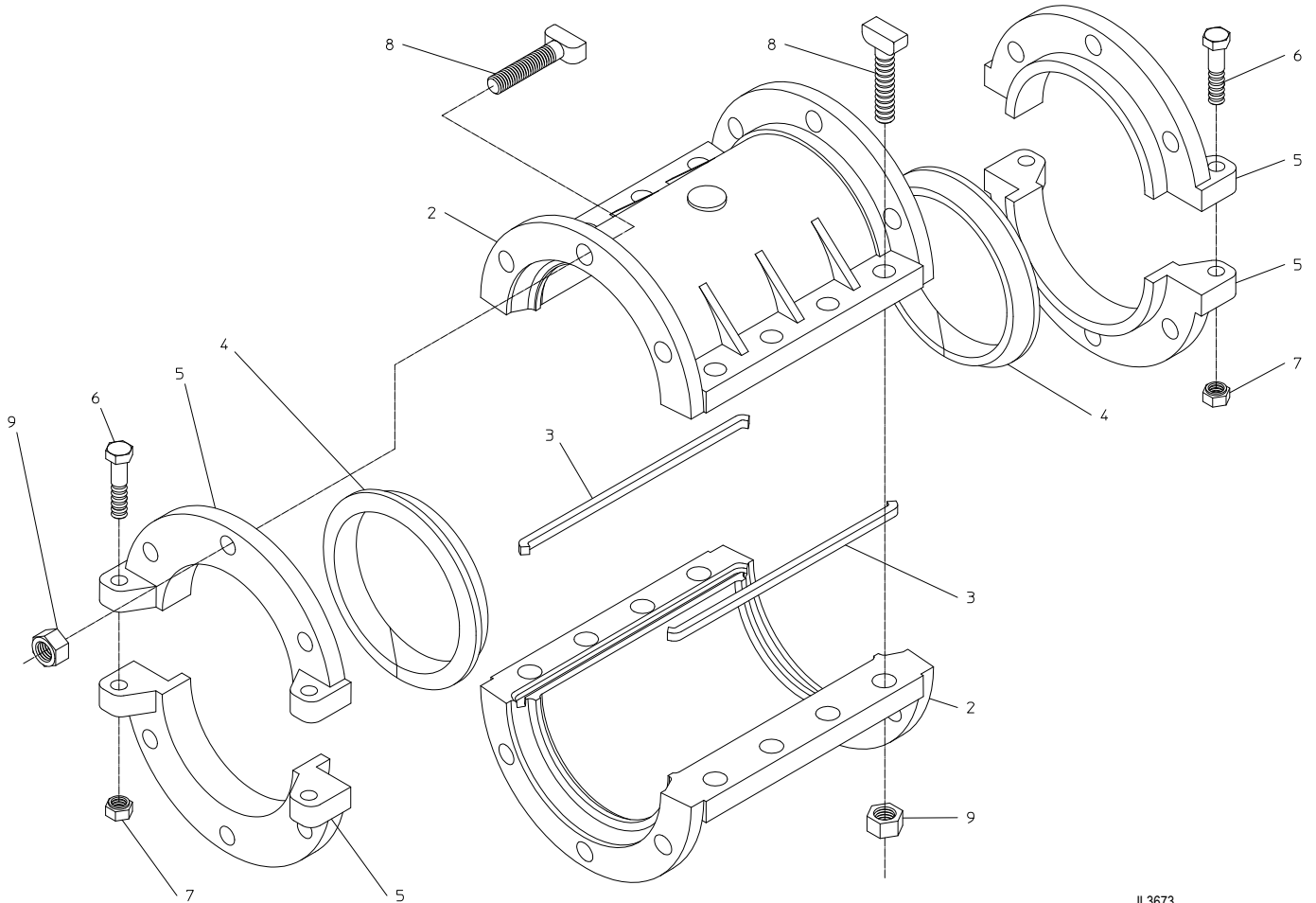
**AMERICAN**  
FLOW CONTROL

**THE RIGHT WAY**

AMERICAN Flow Control  
P.O. Box 2727  
Birmingham, Al. 35202-2727  
Phone: 1-800-326-8051  
Fax: 1-800-610-3569  
E-mail: afcsales@american-usa.com

Waterous Company  
125 Hardman Avenue South  
South St. Paul, Mn. 55075-1191  
Phone: 1-888-266-3686  
Fax: 1-800-601-2809  
E-mail: afcsales@american-usa.com

[WWW.AMERICAN-USA.COM](http://WWW.AMERICAN-USA.COM)



IL3673

Ref No.	Description	Material	Quantity					
			4"	6"	8"	10"	12"	16"
2	Repair Sleeve Half	Cast Ductile-Iron	2	2	2	2	2	2
3	Side Gasket	EPDM Rubber	2	2	2	2	2	2
4*	3/4" MJ End Gasket	EPDM Rubber	2	2	2	2	2	2
	5/8" MJ End Gasket		2	2	2	2	2	2
5	MJ Split Gland Half	Cast Ductile-Iron	4	4	4	4	4	4
6	Hex Head Bolt, 5/8-11	Zinc Plated Steel (or Optional Stainless Steel)	4	4	4	4	4	4
7	Hex Nut, 5/8-11		4	4	4	4	4	4
8	T-Head Bolt, 3/4-10	Cor-Ten Steel (or Optional Stainless Steel)	14	20	20	26	26	38
9	T-Head Nut, 3/4-10		14	20	20	26	26	38

\*Note: See Note 2 on Page 1.



**AMERICAN**  
FLOW CONTROL

**THE RIGHT WAY**

AMERICAN Flow Control  
P.O. Box 2727  
Birmingham, Al. 35202-2727  
Phone: 1-800-326-8051  
Fax: 1-800-610-3569  
E-mail: afcsales@american-usa.com

Waterous Company  
125 Hardman Avenue South  
South St. Paul, Mn. 55075-1191  
Phone: 1-888-266-3686  
Fax: 1-800-601-2809  
E-mail: afcsales@american-usa.com

[WWW.AMERICAN-USA.COM](http://WWW.AMERICAN-USA.COM)