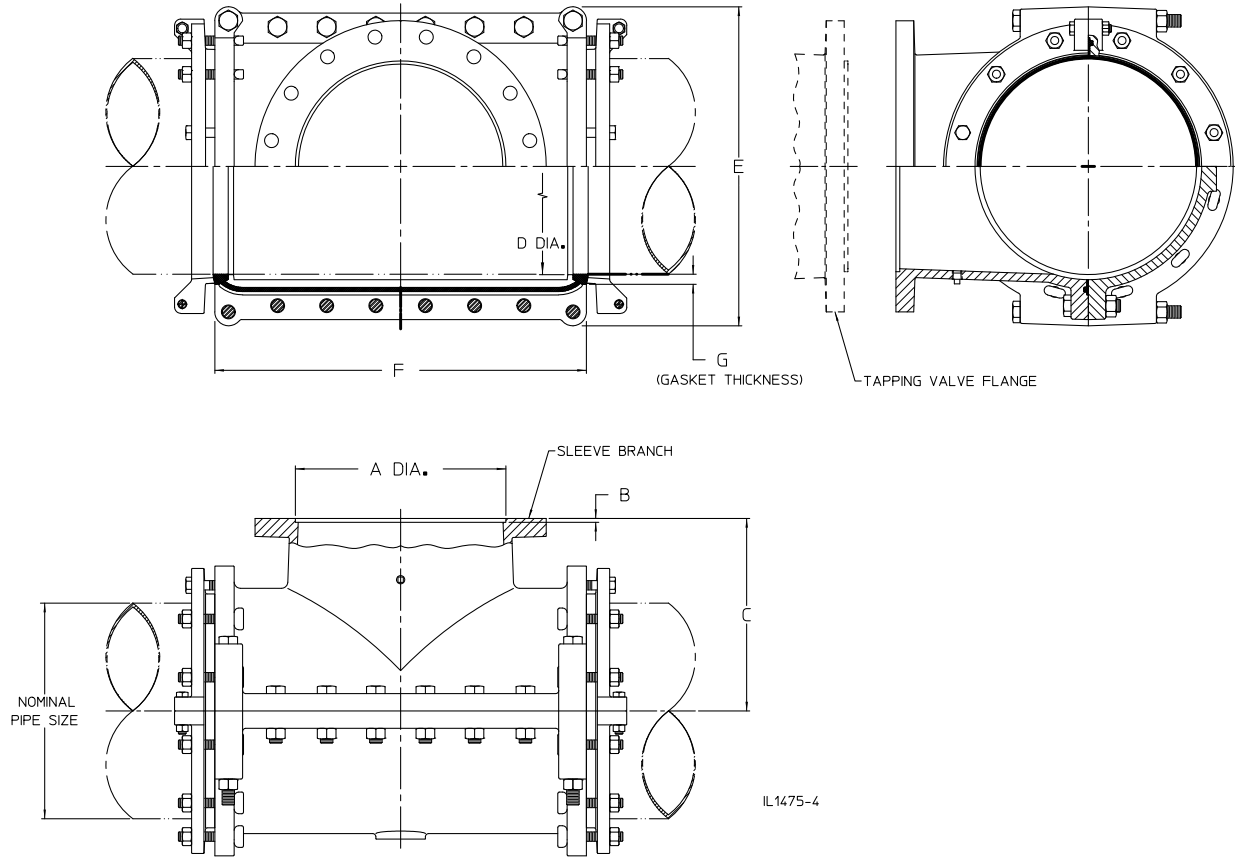


# AMERICAN Flow Control Submittal Information

## 16" X 16" SERIES 2800-C TAPPING SLEEVE



Sleeve Size (Pipe x Branch)	16x16
A	17.020
B	.31
C	15.50
D	17.97
E	25.75
F	30.00

G (Gasket Thickness) Two 3/4" thick gaskets which fit ductile iron and centrifugally cast gray iron pipe are supplied as standard. Two 5/8" thick gaskets should be used for pit cast pipe. If there is a doubt about which type of pipe the sleeve will be used with, order 5/8" thick gaskets in addition to the 3/4" thick gaskets that are furnished as standard. See table below for the range of pipe sizes each gasket can be used with.

Nominal Pipe Size	3/4" Thick Gasket				5/8" Thick Gasket			
	Diameter		Circumference		Diameter		Circumference	
	Minimum	Maximum	Minimum	Maximum	Minimum	Maximum	Minimum	Maximum
16"	17.34	17.46	54.50	54.88	17.46	17.87	54.88	56.12

### NOTES:

1. 250 psig rated working pressure.
2. Flange pilot dimensions (A & B) are in accordance with MSS SP-60.



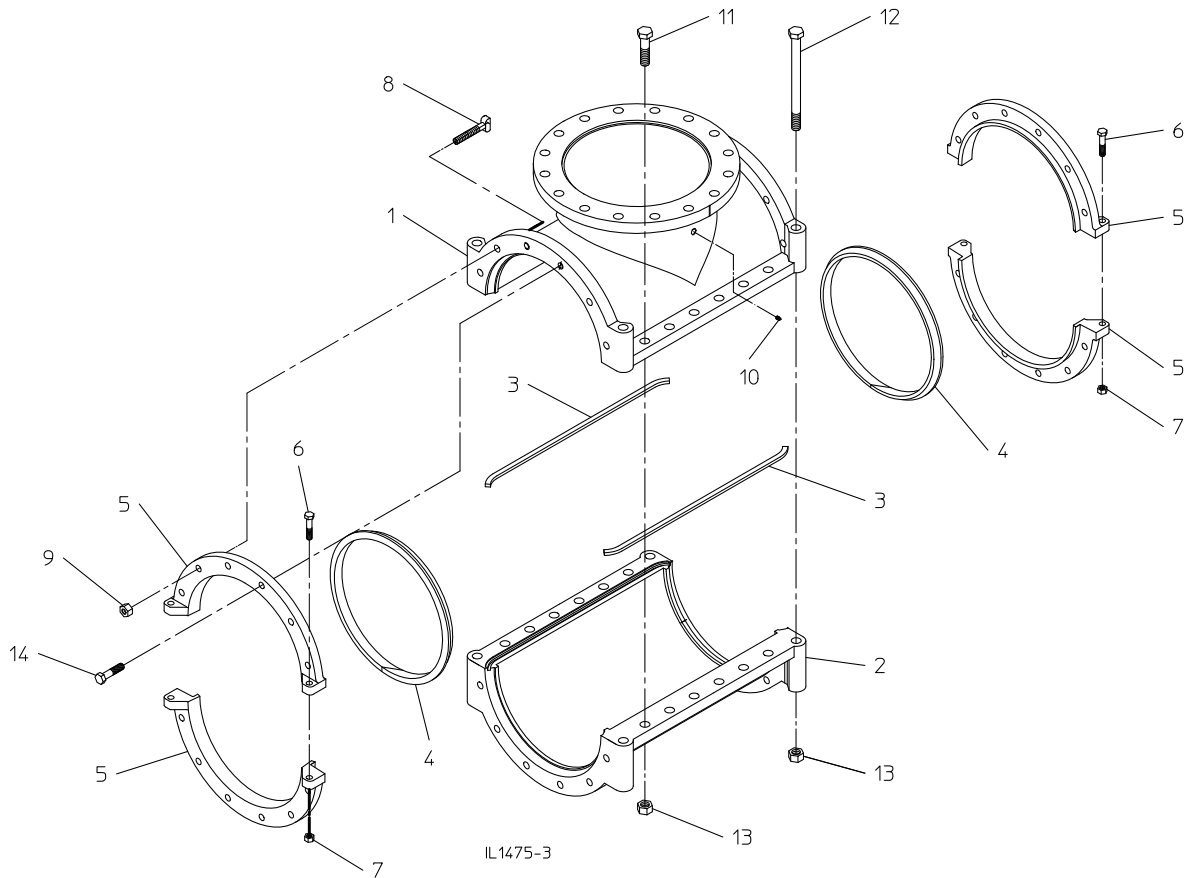
**AMERICAN**  
FLOW CONTROL

**THE RIGHT WAY**

AMERICAN Flow Control  
P.O. Box 2727  
Birmingham, Al. 35202-2727  
Phone: 1-800-326-8051  
Fax: 1-800-610-3569  
E-mail: afcsales@american-usa.com

Waterous Company  
125 Hardman Avenue South  
South St. Paul, Mn. 55075-1191  
Phone: 1-888-266-3686  
Fax: 1-800-601-2809  
E-mail: afcsales@american-usa.com

[WWW.AMERICAN-USA.COM](http://WWW.AMERICAN-USA.COM)



Ref No.	Description	Material	Quantity
1	Tapping Sleeve Front	Ductile Iron ASTM A536 Grade 65-45-12	1
2	Tapping Sleeve Back	Ductile Iron ASTM A536 Grade 65-45-12	1
3	MJ Side Gasket	Rubber	2
4	MJ End Gasket	Rubber	2
5	MJ Split Gland Half	Ductile Iron ASTM A536 Grade 65-45-12	4
6	Hex Head Bolt, 5/8" - 11 x 3"	Zinc Plated Steel	4
7	Hex Nut, 5/8" - 11	Zinc Plated Steel	4
8	T-Head Bolt, 3/4" - 10 x 4-1/2"	Cor-Ten Steel	20
9	T-Head Nut, 3/4" - 10	Cor-Ten Steel	20
10	Square Head Pipe Plug, 1/2" NPT	Bronze	1
11	Hex Head Bolt, 1" - 8 x 4"	Zinc Plated	12
12	Hex Head Bolt, 1" - 8 x 13	Zinc Plated Steel	4
13	Hex Nut, 1" - 8	Zinc Plated Steel	16
14	Hex Head Bolt, 3/4" - 10 x 3-1/4"	Cor-Ten Steel	4



**AMERICAN**  
FLOW CONTROL

**THE RIGHT WAY**

AMERICAN Flow Control  
P.O. Box 2727  
Birmingham, Al. 35202-2727  
Phone: 1-800-326-8051  
Fax: 1-800-610-3569  
E-mail: afcsales@american-usa.com

Waterous Company  
125 Hardman Avenue South  
South St. Paul, Mn. 55075-1191  
Phone: 1-888-266-3686  
Fax: 1-800-601-2809  
E-mail: afcsales@american-usa.com

[WWW.AMERICAN-USA.COM](http://WWW.AMERICAN-USA.COM)