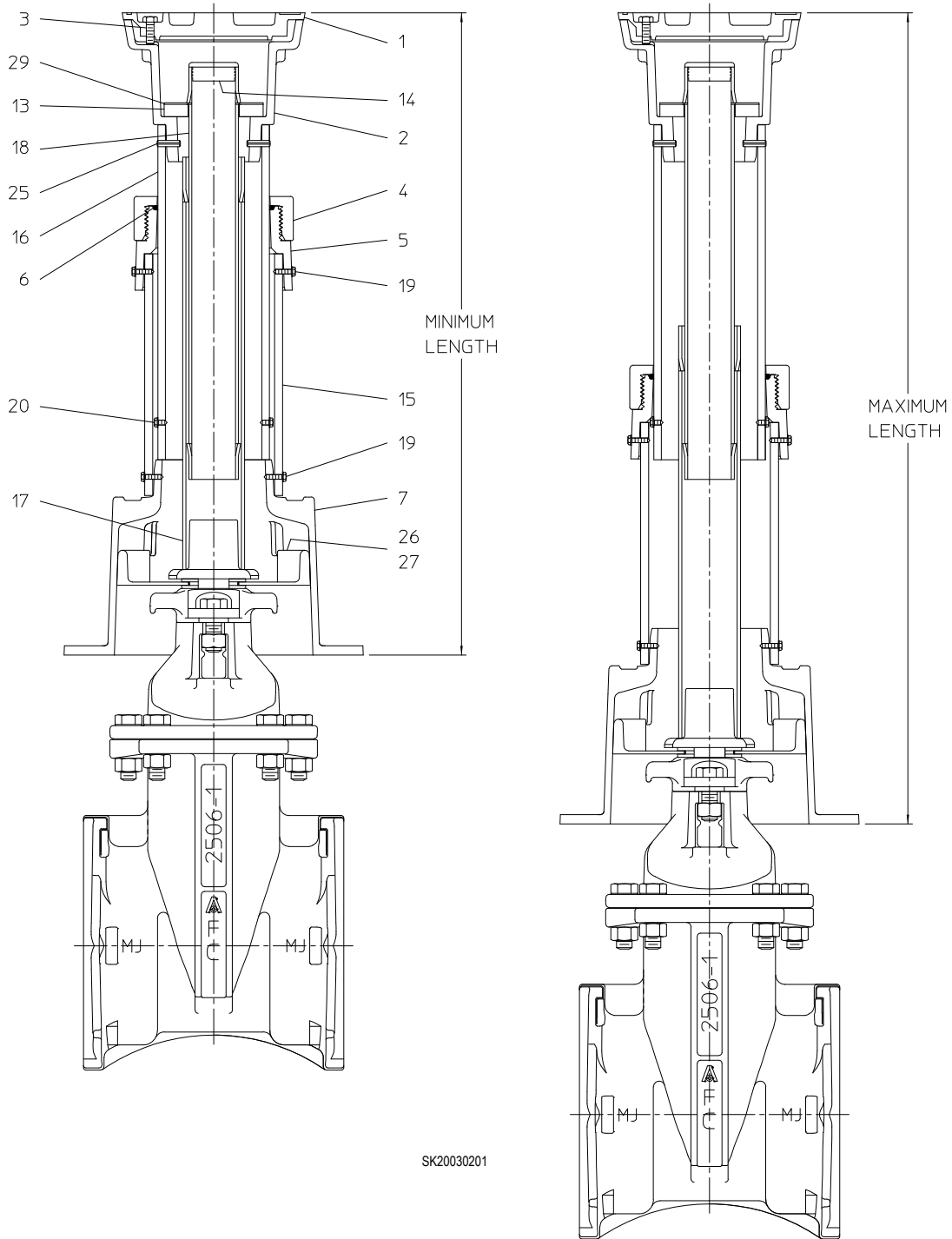


AMERICAN Flow Control Submittal Information

TRENCH ADAPTER®



SK20030201



AMERICAN
FLOW CONTROL

THE RIGHT WAY

AMERICAN Flow Control
P.O. Box 2727
Birmingham, Al. 35202-2727
Phone: 1-800-326-8051
Fax: 1-800-610-3569
E-mail: afcsales@american-usa.com

Waterous Company
125 Hardman Avenue South
South St. Paul, Mn. 55075-1191
Phone: 1-888-266-3686
Fax: 1-800-601-2809
E-mail: afcsales@american-usa.com

WWW.AMERICAN-USA.COM

REF NO.	DESCRIPTION	MATERIAL	QTY
1	Lid	Ductile Iron	1
		Urethane (Optional)	
2	Top	Ductile Iron	1
3	Locking Bolt	Stainless Steel	1
4	Reducer Coupling Gland	High Density Polyethylene	1
5	Reducer Coupling	High Density Polyethylene	1
6	O-Ring	Rubber	1
7	Base	High Density Polyethylene	1
13	Grit Washer	High Density Polyethylene	1
14	Cap	Plastic	1
15	Lower Pipe	High Density Polyethylene	1
16	Upper Pipe	High Density Polyethylene	1
17	Lower Stem	Galvanized Steel Tubing	1
18	Upper Stem	Galvanized Steel Tubing	1
19	Screw	Stainless Steel	8
20	Screw	Stainless Steel	2
25	Spring Pin	Stainless Steel	2
26	Alignment Ring	Glass Filled Polypropylene	1
27	Alignment Ring Guide	Glass Filled Polypropylene	1
29	Stem Washer	Stainless Steel	1

AVAILABLE LID MATERIALS, MARKINGS, AND COLORS		
MATERIAL	MARKING	COLOR
Ductile Iron	Water	Blue
	Sewer	Green
	Reuse Water	Lavender (Pantone 522C)
	Gas	Yellow
	Fire	Red
Urethane	Water	Black

MODEL NUMBER	LENGTH		ASSEMBLY WEIGHT
	MINIMUM	MAXIMUM	
1	18.25	20.25	29 lbs
2	22.25	28.25	32 lbs
3	24.75	32.50	35 lbs
4	29.75	40.50	39 lbs
5	37.75	56.50	48 lbs
6	49.75	80.50	54 lbs
7	73.75	128.50	72 lbs
8	127.75	179.75	99 lbs
9	178.75	230.75	127 lbs

NOTES:

1. On model numbers 1 through 9, the extension stem is optional.
2. Reference number 3 locking bolt not included or required when furnished with urethane lid.



AMERICAN
FLOW CONTROL

THE RIGHT WAY

AMERICAN Flow Control
P.O. Box 2727
Birmingham, Al. 35202-2727
Phone: 1-800-326-8051
Fax: 1-800-610-3569
E-mail: afcsales@american-usa.com

Waterous Company
125 Hardman Avenue South
South St. Paul, Mn. 55075-1191
Phone: 1-888-266-3686
Fax: 1-800-601-2809
E-mail: afcsales@american-usa.com

WWW.AMERICAN-USA.COM