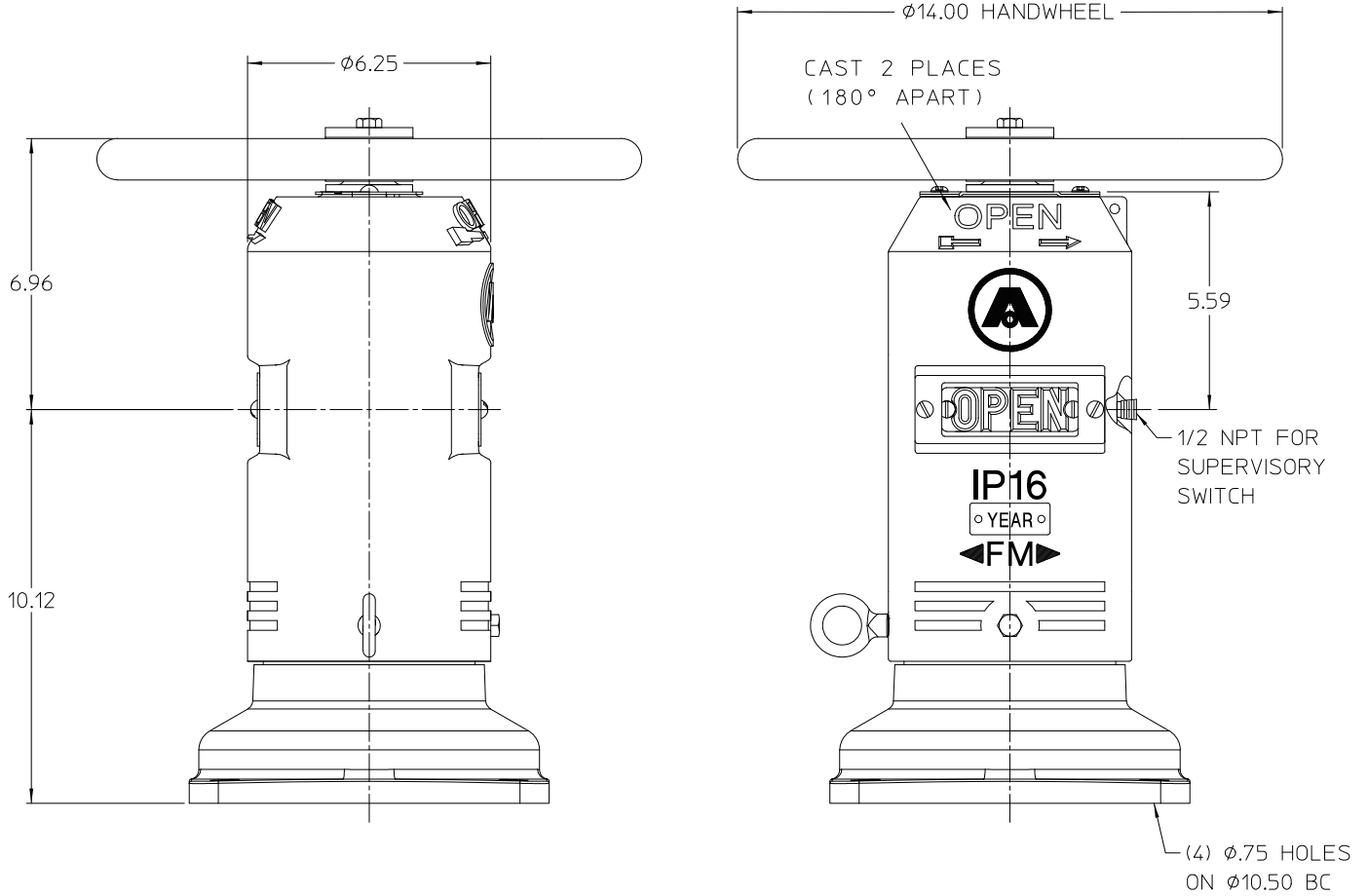


AMERICAN Flow Control Submittal Information

IP16S INDICATOR POST



IL4748

NOTE:

1. Listed by UL LLC and Approved by FM Approvals.



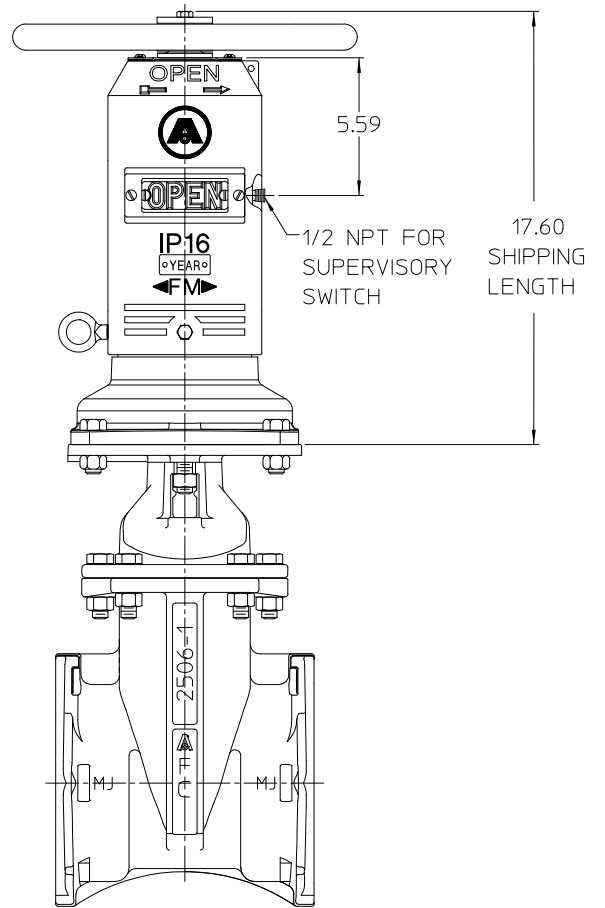
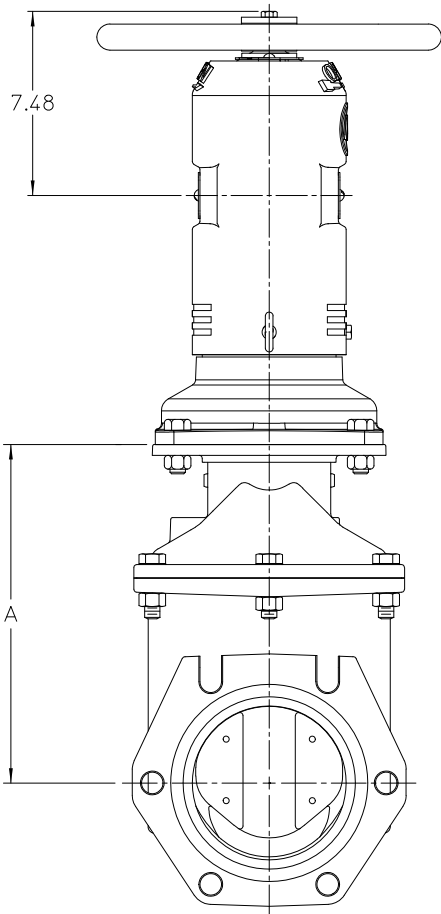
AMERICAN
FLOW CONTROL

THE RIGHT WAY

AMERICAN Flow Control
P.O. Box 2727
Birmingham, Al. 35202-2727
Phone: 800-326-8051
Fax: 800-610-3569
Email: afcsales@american-usa.com

Waterous Company
125 Hardman Avenue South
South St. Paul, Mn. 55075-1191
Phone: 888-266-3686
Fax: 800-601-2809
Email: afcsales@american-usa.com

WWW.AMERICAN-USA.COM



IL4749

Dimension	Valve Size				
	Series 2500-1				
	4"	6"	8"	10"	12"
A	10.38	13.75	16.94	20.34	23.78



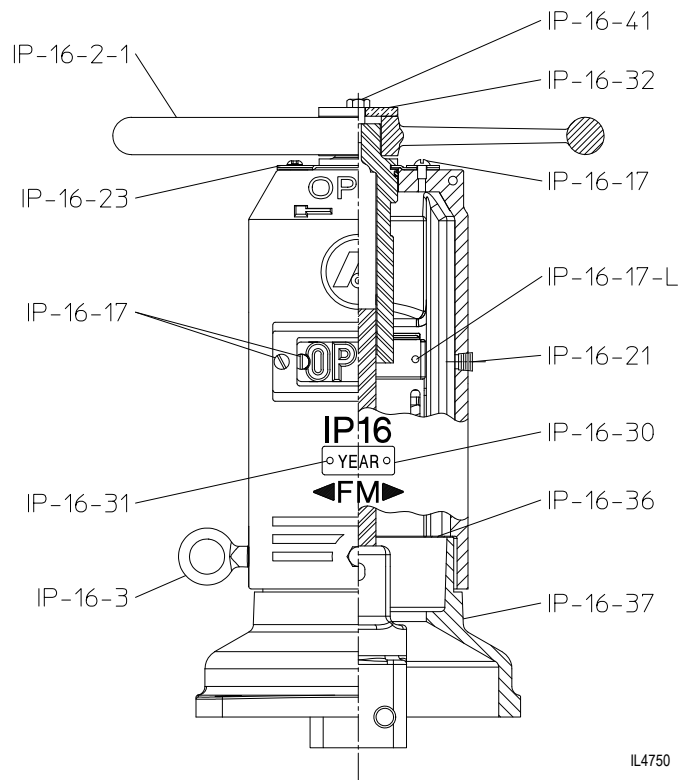
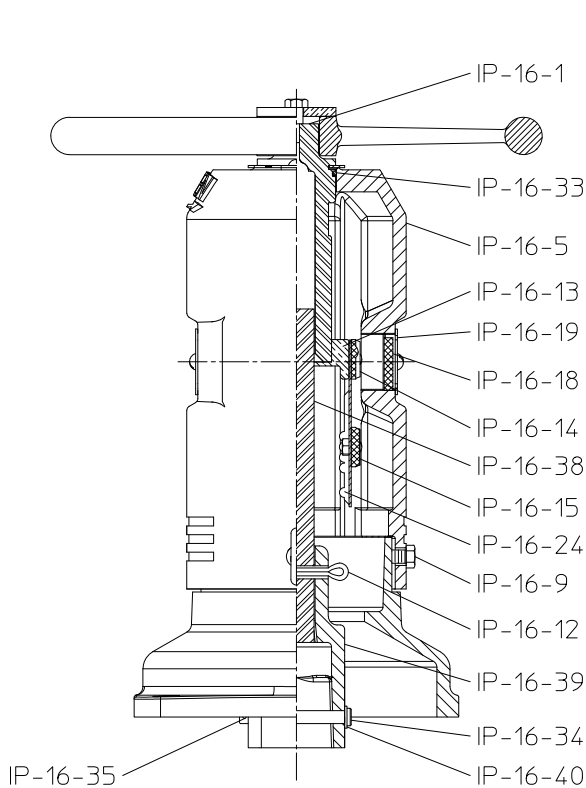
AMERICAN
FLOW CONTROL

THE RIGHT WAY

AMERICAN Flow Control
P.O. Box 2727
Birmingham, Al. 35202-2727
Phone: 800-326-8051
Fax: 800-610-3569
Email: afcsales@american-usa.com

Waterous Company
125 Hardman Avenue South
South St. Paul, Mn. 55075-1191
Phone: 888-266-3686
Fax: 800-601-2809
Email: afcsales@american-usa.com

WWW.AMERICAN-USA.COM



IL4750

Ref No.	Description	Material	Quantity
IP-16-1	Operating Stem Nut	Stainless Steel	1
IP-16-2-1	Handwheel	Cast Iron, ASTM A126, Class B or Ductile Iron, ASTM A536, Grade 65-45-12	1
IP-16-3	Eye Bolt	Steel	1
IP-16-5	Body	Gray Iron, ASTM A48, Class 30	1
IP-16-9	Hex Head Bolt	Zinc Plated Steel	1
IP-16-12	Cotter Pin	Steel	1
IP-16-13	Target Carrier Nut	Brass, ASTM B62, UNS C83600	1
IP-16-14	Target Plate - Open	Aluminum	2
IP-16-15	Target Plate - Shut	Aluminum	2
IP-16-17	Screw and Nut	Stainless Steel	12 and 4
IP-16-17-L	Screw	Stainless Steel	2
IP-16-18	Travel Sign Cover	Plexiglass	2
IP-16-19	Ferrule	Stainless Steel	2
IP-16-21	Pipe Plug	Steel	1
IP-16-23	Stuffing Box	Stainless Steel	2
IP-16-24	Target Carrier	Stainless Steel	2
IP-16-30	Year Date Tag	Aluminum	1
IP-16-31	Drive Lok Stud	Stainless Steel	2
IP-16-32	Washer	Brass, ASTM B16, UNS C36000	1
IP-16-33	O-ring	Rubber	1
IP-16-34	Clevis Pin	Stainless Steel	1
IP-16-35	Hairpin Cotter Pin	Stainless Steel	1
IP-16-36	Stop Plate	Stainless Steel	1
IP-16-37	Base	Ductile Iron, ASTM A536, Grade 65-45-12	1
IP-16-38	Rod	Steel, ASTM A29	1
IP-16-39	Rod Coupling	Ductile Iron, ASTM A536, Grade 65-45-12	1
IP-16-40	Washer	Stainless Steel	1
IP-16-41	Hex Head Bolt	Zinc Plated Steel	1



AMERICAN

FLOW CONTROL

THE RIGHT WAY

AMERICAN Flow Control
P.O. Box 2727
Birmingham, Al. 35202-2727
Phone: 800-326-8051
Fax: 800-610-3569
Email: afcsales@american-usa.com

Waterous Company
125 Hardman Avenue South
South St. Paul, Mn. 55075-1191
Phone: 888-266-3686
Fax: 800-601-2809
Email: afcsales@american-usa.com

WWW.AMERICAN-USA.COM