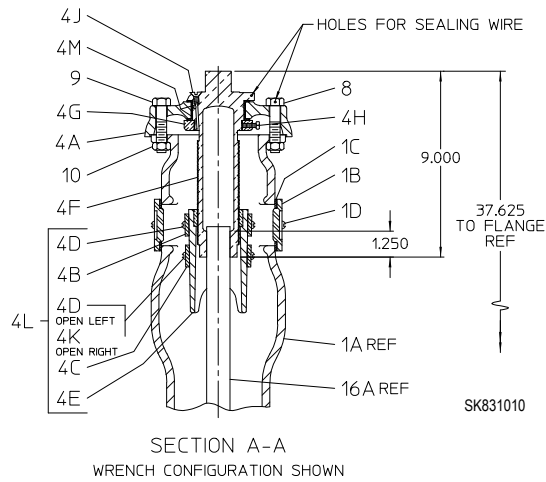
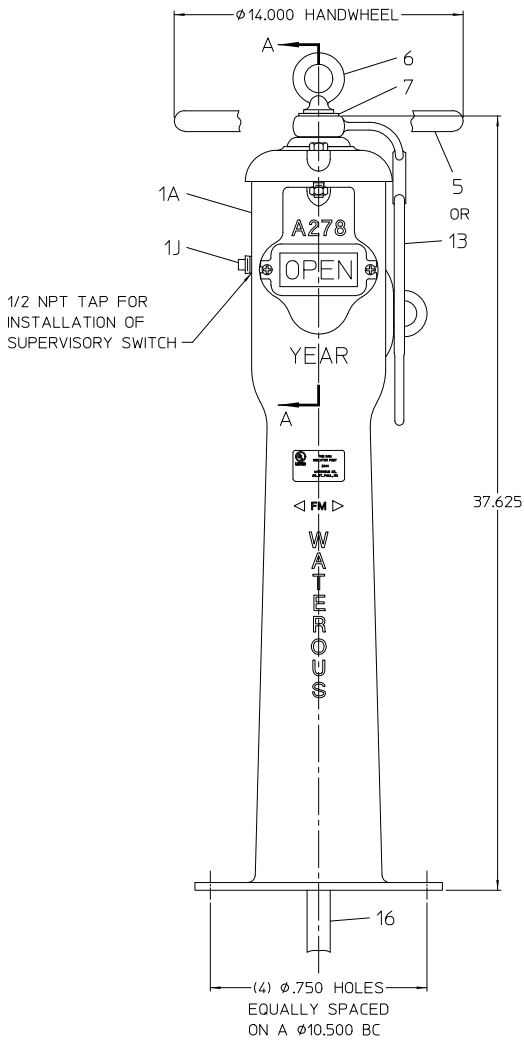


AMERICAN Flow Control Submittal Information

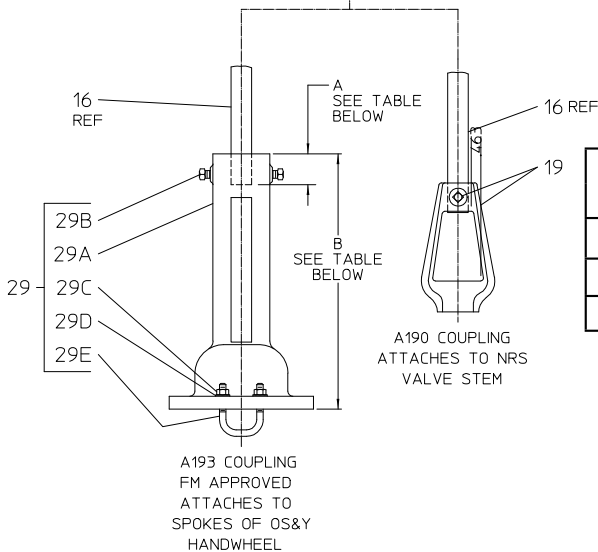
WATEROUS MODEL A278 POST INDICATOR



Open Direction: Left (C.C.W.) Right (C.W.)

NOTES:

1. UL Listed and FM Approved.
2. When ordering a complete post or repair parts, please specify valve size post is to be used with. Posts used with 14" & 16" valves use a different indicator slide (Ref No. 4E) and indicator screw (Ref No. 4F) than posts used on 2-1/2" thru 12" valves.
3. Recommended maintenance: Exercise through complete OPEN-CLOSE-OPEN cycle once per month. Lubricate through screw 4J once per year with SAE 10W or comparable non-detergent oil.
4. Eyebolt (Ref No. 6) and washer (Ref No. 7) are used with handwheel (Ref No. 5) only.
5. Hex head bolt (Ref No. 32) is used with wrench (Ref No. 13) only.
6. Ref No. 4K screw is used on open right posts only.



COUPLING	DIMENSION		USED ON VALVE SIZES
	A	B	
A193-1	1.50	8.25	2-1/2" THRU 4"
A193-2	2.12	12.38	6" AND 8"
A193-3	3.00	21.50	10" THRU 16"



AMERICAN
FLOW CONTROL

THE RIGHT WAY

AMERICAN Flow Control
P.O. Box 2727
Birmingham, Al. 35202-2727
Phone: 1-800-326-8051
Fax: 1-800-610-3569
E-mail: afcsales@american-usa.com

Waterous Company
125 Hardman Avenue South
South St. Paul, Mn. 55075-1191
Phone: 1-888-266-3686
Fax: 1-800-601-2809
E-mail: afcsales@american-usa.com

WWW.AMERICAN-USA.COM

REF NO.	DESCRIPTION	MATERIAL	QTY
1	Post and Window Assembly	Includes 1A thru 1J	1
1A	Post	Cast Iron, ASTM A126, Class B	1
1B	Window	Molded Clear Polycarbonate	2
1C	Window Gasket	Synthetic Fibre with Elastomeric Binder	2
1D	Rnd Head Screw, 1/4-20 x 1/2"	Stainless Steel, Type 18-8, ASTM F593, Group 1 (304)	4
1J	Pipe Plug, 1/2 NPT	Steel, SAE Grade 2, Galvanized	1
4	Cover Assembly	Includes 4A thru 4M	1
4A	Cover	Cast Iron, ASTM A126, Class B	1
4B	Open Plate	Aluminum, ASTM B26-80, ANSI Alloy 319, UNS A03190	2
4C	Shut Plate	Aluminum, ASTM B26-80, ANSI Alloy 319, UNS A03190	2
4D	Rnd Head Screw, 1/4-20 x 1/2"	Steel, SAE Grade 2, ASTM A307, Zinc Plated	8
4E	Indicator Slide	Silicon Bronze, ASTM B584, UNS C87600	1
4F	Indicator Screw	Cast Bronze, ASTM B584, UNS C84400	1
4G	Lock Nut	Bronze, ASTM B62, Copper Alloy C83600	1
4H	Set Screw, 1/4-20	Stainless Steel, Type 18-8, ASTM F593, Group 1 (304)	1
4J	Flat Head Screw, #10-24 x 1/2"	Stainless Steel, Type 18-8, ASTM F593, Group 1 (304)	1
4K	Rnd Head Screw, 1/4-20 x 1"	Steel, SAE Grade 2, ASTM A307, Zinc Plated	4
4L	Indicator Sub-Assembly	Includes 4B, 4C, 4D, 4E & 4K	1
4M	Cover Bushing	Brass, ASTM B36, UNS C26000	2
5	Handwheel	Cast Iron, ASTM A126, Class B	1
6	Eye Bolt, 5/8-11	Steel, SAE Grade 2, ASTM A307	1
7	Flat Washer	Aluminum, 2024-T4, ASTM B209M	1
8	Hex Head Bolt, 1/2-13 x 2-1/2"	Steel, SAE Grade 2, ASTM A307, Zinc Plated	1
9	Hex Head Bolt, 1/2-13 x 2-1/2"	Steel, SAE Grade 2, ASTM A307, Zinc Plated	1
10	Hex Nut, 1/2-13	Steel, SAE Grade 2, ASTM A307, Zinc Plated	2
13	Wrench	Ductile Iron, ASTM A536, UNS F33100	1
16	Rod, 1" Square	Steel, ASTM A576, Grade 1045, UNS G10450	1
19	A190 Coupling Assembly	Coupling: Cast Iron, ASTM A126, Class B	1
		Sq Head Set Screw, 3/8-16: Steel, SAE Grade 2, ASTM A307	1
29	A193 Coupling Assembly	Includes 29A thru 29E	1
29A	Coupling	Cast Iron, ASTM A126, Class B	1
29B	Sq Head Set Screw, 3/8-16	Steel, SAE Grade 2, ASTM A307	2
29C	Hex Nut, 5/16-18	Steel, SAE Grade 2, ASTM A307, Zinc Plated	6
29D	Flat Washer, 5/16	Steel, SAE Grade 2, ASTM A307, Zinc Plated	6
29E	U-Bolt, 5/16-18	Steel, SAE Grade 2, ASTM A307	3
32	Hex Head Bolt, 5/8-11 x 1"	Stainless Steel, Type 18-8, ASTM F593, Group 1 (304)	1



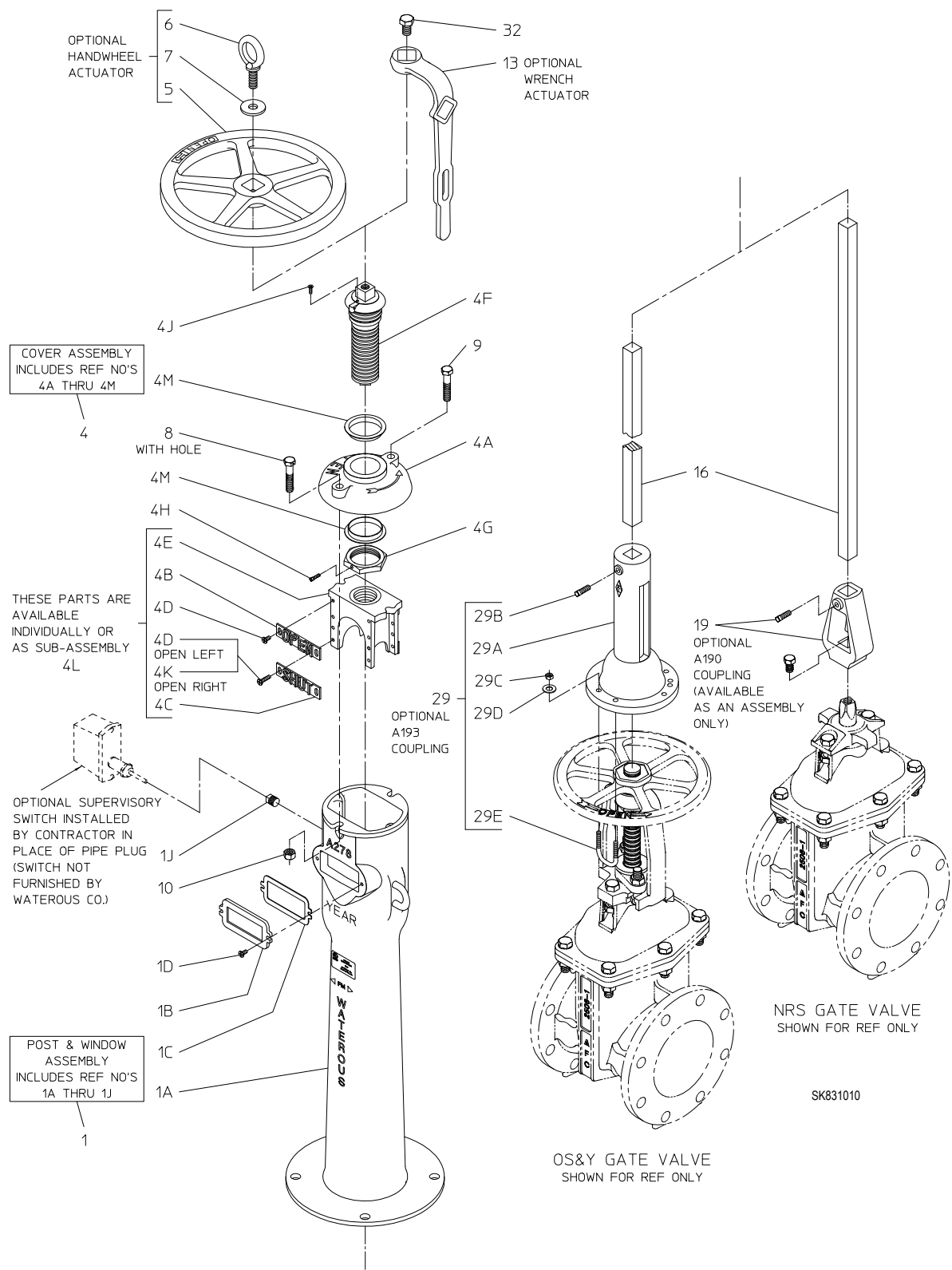
AMERICAN
FLOW CONTROL

THE RIGHT WAY

AMERICAN Flow Control
P.O. Box 2727
Birmingham, Al. 35202-2727
Phone: 1-800-326-8051
Fax: 1-800-610-3569
E-mail: afcsales@american-usa.com

Waterous Company
125 Hardman Avenue South
South St. Paul, Mn. 55075-1191
Phone: 1-888-266-3686
Fax: 1-800-601-2809
E-mail: afcsales@american-usa.com

WWW.AMERICAN-USA.COM



AMERICAN
FLOW CONTROL

THE RIGHT WAY

AMERICAN Flow Control
P.O. Box 2727
Birmingham, Al. 35202-2727
Phone: 1-800-326-8051
Fax: 1-800-610-3569
E-mail: afcsales@american-usa.com

Waterous Company
125 Hardman Avenue South
South St. Paul, Mn. 55075-1191
Phone: 1-888-266-3686
Fax: 1-800-601-2809
E-mail: afcsales@american-usa.com

WWW.AMERICAN-USA.COM