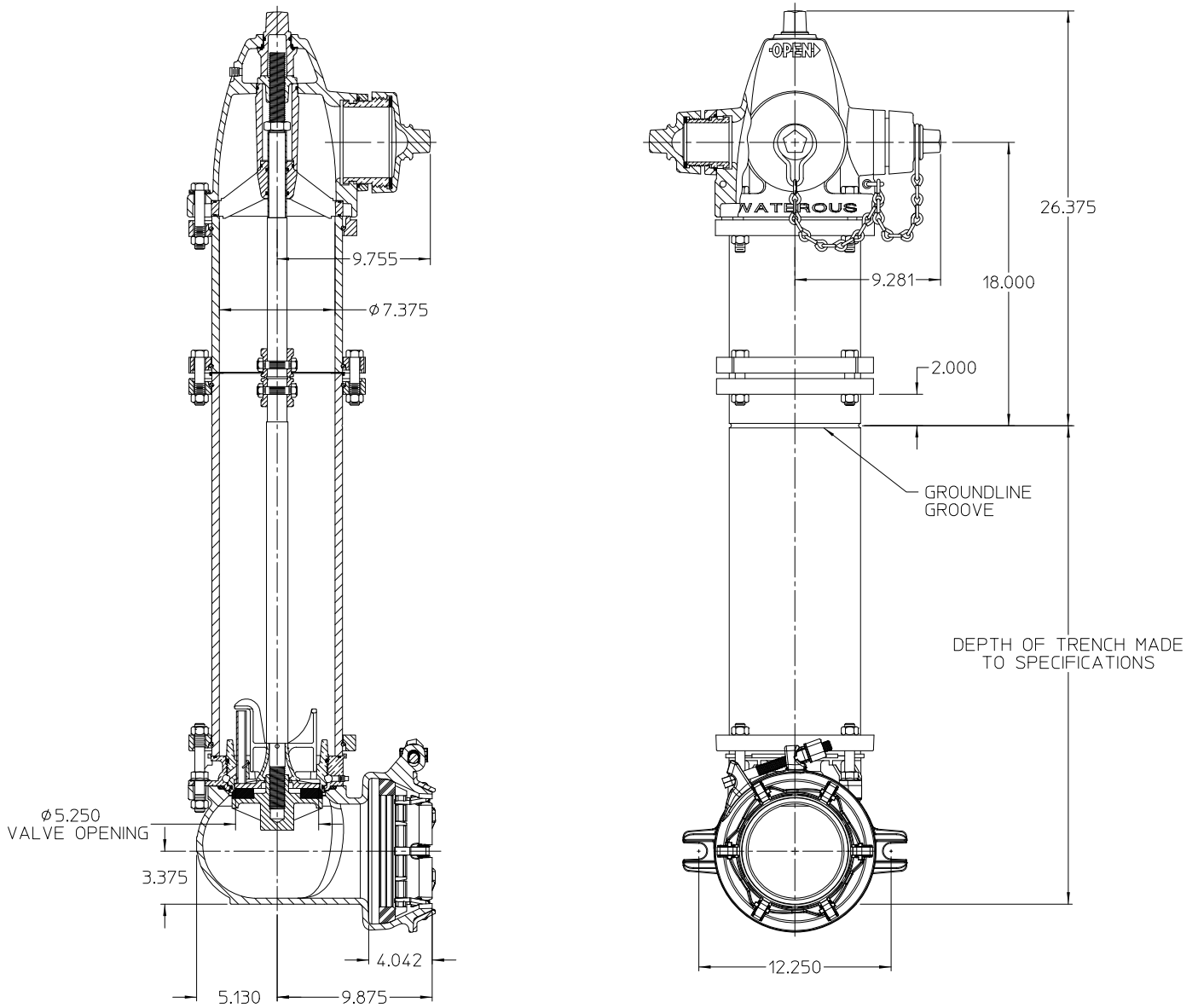


# AMERICAN Flow Control Submittal Information

## 5-1/4 WATEROUS PACER® TRAFFIC MODEL WB67-250 FIRE HYDRANT

### WITH ALPHA™ XL RESTRAINT JOINT



IL4623

ALPHA restraint joints will accommodate the following pipe types and sizes:

#### ALPHA XL

- Gray iron (Class A, B, C, and D)

Nominal Size (in)	ALPHA XL OD Range (in)
6	6.90 - 7.10

#### NOTES:

1. 250 psig rated working pressure.
2. This hydrant meets or exceeds all requirements of AWWA C502.
3. 10 in. upper standpipe (traffic section) is standard. 16 in., 22 in., 28 in. and 34 in. upper standpipes are available by special order. Nozzle elevation will vary accordingly.
4. 5-1/4" valve opening.
5. Hydrants are available with counterclockwise opening direction (open-left) or clockwise opening direction (open-right).
6. Operating nut and nozzle cap wrench nuts are available in various shapes and sizes.

ALPHA™ is a licensed trademark of Romac Industries, Inc. (U.S. Patent 8,894,100)



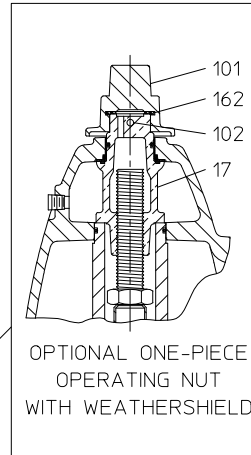
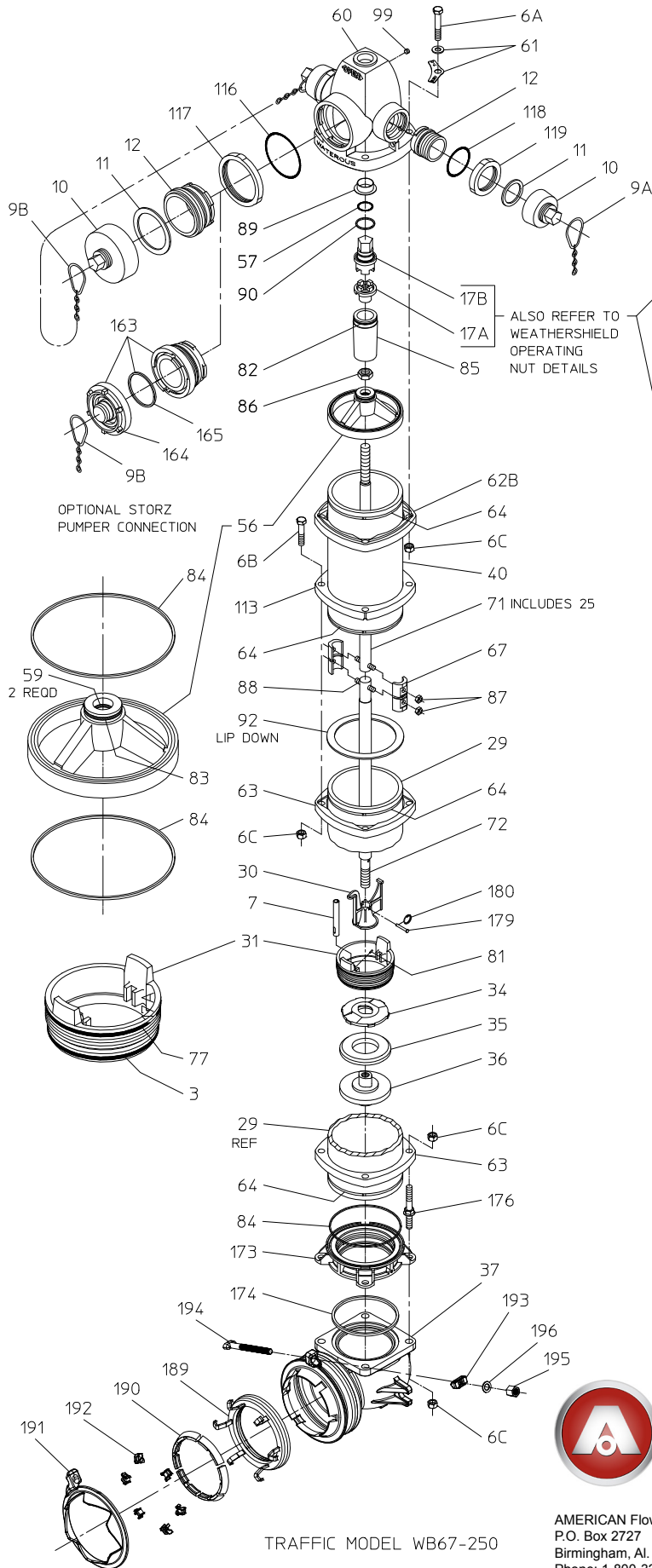
**AMERICAN**  
FLOW CONTROL

THE RIGHT WAY

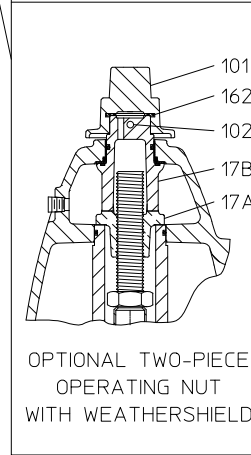
AMERICAN Flow Control  
P.O. Box 2727  
Birmingham, Al. 35202-2727  
Phone: 1-800-326-8051  
Fax: 1-800-610-3569  
E-mail: afcsales@american-usa.com

Waterous Company  
125 Hardman Avenue South  
South St. Paul, Mn. 55075-1191  
Phone: 1-888-266-3686  
Fax: 1-800-601-2809  
E-mail: afcsales@american-usa.com

WWW.AMERICAN-USA.COM



OPTIONAL ONE-PIECE OPERATING NUT WITH WEATHERSHIELD



OPTIONAL TWO-PIECE OPERATING NUT WITH WEATHERSHIELD

IL4360



**AMERICAN**  
FLOW CONTROL

**THE RIGHT WAY**

AMERICAN Flow Control  
P.O. Box 2727  
Birmingham, Al. 35202-2727  
Phone: 1-800-326-8051  
Fax: 1-800-610-3569  
E-mail: afcsales@american-usa.com

Waterous Company  
125 Hardman Avenue South  
South St. Paul, Mn. 55075-1191  
Phone: 1-888-266-3686  
Fax: 1-800-601-2809  
E-mail: afcsales@american-usa.com

[WWW.AMERICAN-USA.COM](http://WWW.AMERICAN-USA.COM)

REF NO.	DESCRIPTION	MATERIAL
3	O-ring (Lower Valve Seat)	Buna-N
6A	Hex Head Bolt, 5/8-11 x 3-3/4"	Zinc Plated Steel, ASTM A307
6B	Hex Head Bolt, 5/8-11 x 3"	Zinc Plated Steel, ASTM A307
6C	Hex Nut, 5/8-11 (Above Ground)	Zinc Plated Steel, ASTM A307
6C	Hex Nut, 5/8-11 (Below Ground)	Stainless Steel, Type 304, ASTM F594
7	Drain Plunger	Red Brass, ASTM B135, UNS C23000
9A,9B	Nozzle Cap Chain, Single or Double	Zinc Plated Steel
10	Nozzle Cap, Hose or Pumper	Ductile Iron, ASTM A536 Grade 65-45-12
11	Cap Gasket, Hose or Pumper	Neoprene
12	Nozzle, Hose	Brass, ASTM B505, UNS C83600
12	Nozzle, Pumper	Bronze, ASTM B584, UNS C87600
17	Operating Nut (One-Piece)	Bronze, ASTM B763, UNS C86500 or UNS C86700
17A	Lower Operating Nut	Bronze
17B	Upper Operating Nut	Ductile Iron, ASTM A536 Grade 65-45-12
25	Rod Bushing	Red Brass, ASTM B135, UNS C23000
29	Lower Standpipe	Centrifugally Cast Ductile Iron Pipe, ANSI A21.51 (AWWA C151)
30	Crossarm	Bronze, ASTM B763, UNS C99500
31	Valve Seat	Bronze, ASTM B584, UNS C87600
34	Upper Valve Washer	Ductile Iron, ASTM A536 Grade 65-45-12
35	Main Valve Rubber	Urethane
36	Lower Valve Washer	Ductile Iron, ASTM A536 Grade 65-45-12 / Epoxy Coated, AWWA C550
37	Hydrant Bottom	Ductile Iron, ASTM A536 Grade 65-45-12 / Epoxy Coated, AWWA C550
40	Upper Standpipe	Centrifugally Cast Ductile Iron Pipe, ANSI A21.51 (AWWA C151)
56	Support Wheel	Ductile Iron, ASTM A536 Grade 65-45-12
57	O-ring (Operating Nut)	Buna-N
59	O-ring (Support Wheel)	Buna-N
60	Nozzle Section	Ductile Iron, ASTM A536 Grade 65-45-12
61	Bury Depth Plate	Aluminum
61	Bury Depth Plate Washer	Zinc Plated Steel
62B	Upper Standpipe Flange	Ductile Iron, ASTM A536 Grade 65-45-12
63	Standpipe Flange	Ductile Iron, ASTM A536 Grade 65-45-12
64	Flange Lock Ring	Stainless Steel, Type 430
67	Coupling Sleeve (two-halves)	Gray Iron, ASTM A48 Class 30B
71	Upper Rod	Steel Rod, ASTM A575
72	Lower Rod	Steel Rod, ASTM A575
77	O-ring (Upper Valve Seat)	Buna-N
81	Groove Pin, 3/32 x 7/16"	Beryllium Copper
82	O-ring (Upper Tube Seal)	Buna-N
83	O-ring (Lower Tube Seal)	Buna-N
84	Support Wheel / Lower Standpipe Gasket	Buna-N
85	Support Tube	Ductile Iron, ASTM A536 Grade 65-45-12

REF NO.	DESCRIPTION	MATERIAL
86	Stop Nut, 1"-8	Zinc Plated Steel
87	Coupling Nut, 1/2-20	Brass
88	Coupling Stud, 1/2-20 x 2-9/16"	Stainless Steel, Type 430
89	Nozzle Section Bushing	Brass
90	Thrust Ring	Polymer Bearing
92	Upper Standpipe Gasket	Neoprene
99	Pipe Plug, 1/4 NPT	Brass
101	Weathershield Nut	Ductile Iron, ASTM A536 Grade 65-45-12
102	Heavy Spirol Pin, 1/4 x 2-1/4"	Stainless Steel, Type 302
113	Breakable Flange	Ductile Iron, ASTM A536 Grade 65-45-12
116	O-ring (Pumper Nozzle)	Buna-N
117	Pumper Nozzle Retainer	Ductile Iron, ASTM A536 Grade 65-45-12
118	O-ring (Hose Nozzle)	Buna-N
119	Hose Nozzle Retainer	Ductile Iron, ASTM A536 Grade 65-45-12
162	Weathershield Nut Gasket	Nitrile
163	Nozzle, Pumper, Storz (with cap and gasket)	Bronze and Aluminum
164	Nozzle Cap, Pumper, Storz	Aluminum
165	Cap Gasket, Pumper, Storz	Buna-N
173	Valve Seat Insert	Bronze, ASTM B584, UNS C87600
174	Valve Seat Insert Gasket	Nitrile
176	Stud, 5/8-11 x 5.650"	Stainless Steel, Type 304, ASTM F593
179	Clevis Pin, 1/4 x 1-11/16"	Stainless Steel, Type 18-8
180	Kickout Ring	Stainless Steel, Type 18-8
189	Gasket Assy (ALPHA XL)	NBR or SBR Rubber, ASTM D2000 Stainless Steel, Type 304
190	Gripper (ALPHA)	Ductile Iron, ASTM A536 Grade 65-45-12
191	End Ring (ALPHA)	Ductile Iron, ASTM A536 Grade 65-45-12
192	Ramp Runner (ALPHA)	Nylon
193	Bolt Guide (ALPHA)	Ductile Iron, ASTM A536 Grade 65-45-12
194	T-Head Bolt (ALPHA)	Stainless Steel, Type 304
195	Coupling Nut (ALPHA)	Stainless Steel, Type 304
196	Washer (ALPHA)	Stainless Steel, Type 304

Open Direction:  Left (C.C.W.)  Right (C.W.)



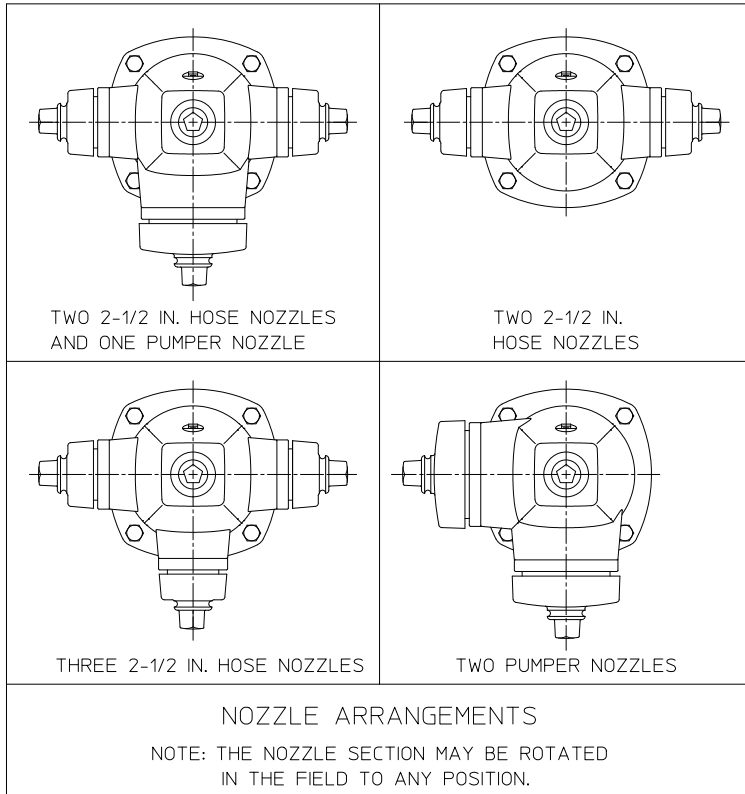
**AMERICAN**  
FLOW CONTROL

**THE RIGHT WAY**

AMERICAN Flow Control  
P.O. Box 2727  
Birmingham, Al. 35202-2727  
Phone: 1-800-326-8051  
Fax: 1-800-610-3569  
E-mail: afcsales@american-usa.com

Waterous Company  
125 Hardman Avenue South  
South St. Paul, Mn. 55075-1191  
Phone: 1-888-266-3686  
Fax: 1-800-601-2809  
E-mail: afcsales@american-usa.com

[WWW.AMERICAN-USA.COM](http://WWW.AMERICAN-USA.COM)



IL3579



**AMERICAN**  
FLOW CONTROL

**THE RIGHT WAY**

AMERICAN Flow Control  
P.O. Box 2727  
Birmingham, Al. 35202-2727  
Phone: 1-800-326-8051  
Fax: 1-800-610-3569  
E-mail: afcsales@american-usa.com

Waterous Company  
125 Hardman Avenue South  
South St. Paul, Mn. 55075-1191  
Phone: 1-888-266-3686  
Fax: 1-800-601-2809  
E-mail: afcsales@american-usa.com

[WWW.AMERICAN-USA.COM](http://WWW.AMERICAN-USA.COM)