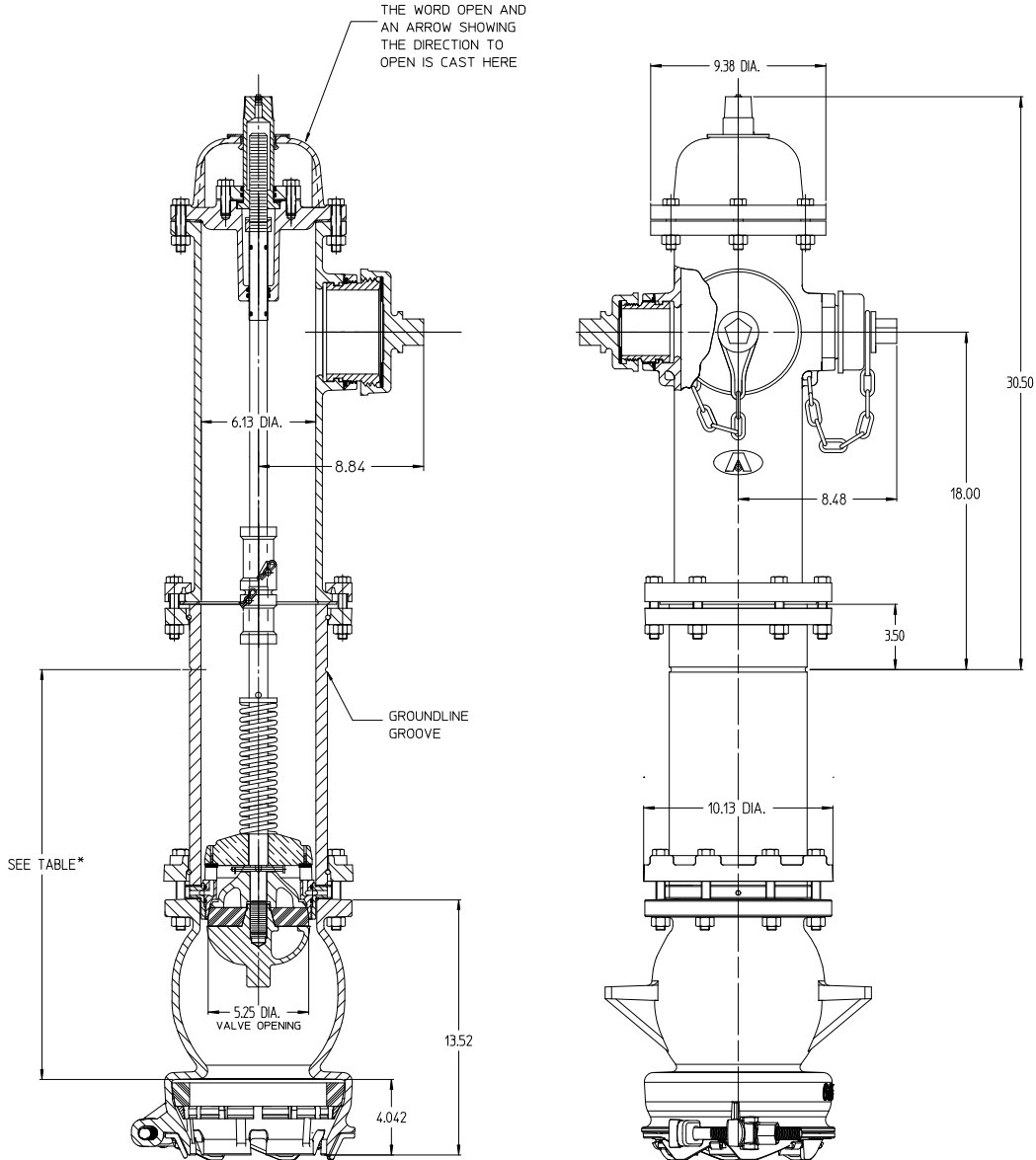


# AMERICAN Flow Control Submittal Information

## 5-1/4 AMERICAN-DARLING® B-84-B-5 TRAFFIC MODEL FIRE HYDRANT WITH VERTICAL ALPHA™ RESTRAINT JOINT



94-22599

*VERTICAL INLET BURY DEPTHS	
Order Depth	Dimension (in)
3'-0"	36.53
3'-6"	42.53

**VERTICAL ALPHA BASE FOR USE WITH 6-IN DUCTILE IRON PIPE ONLY.  
ALL JOINTS IN HYDRANT LEAD MUST BE PROPERLY RESTRAINED.**

### NOTES:

- Size and shape of operating nut and nut on caps, threading on nozzles and caps and the direction of opening made to specifications.
- Cap chains are not furnished unless specified.
- Bolts and nuts are rustproof steel ASTM A307 or equivalent, in accordance with AWWA 502.
- Working pressure 250 psig, test pressure 500 psig.
- Hydrant conforms to AWWA standard C502.
- Valve top, valve bottom and base coated with fusion bonded epoxy coating.
- Certified to NSF/ANSI/CAN 61 and NSF/ANSI/CAN 372.
- Nominal turns to open is 17-1/2.



**AMERICAN**  
FLOW CONTROL

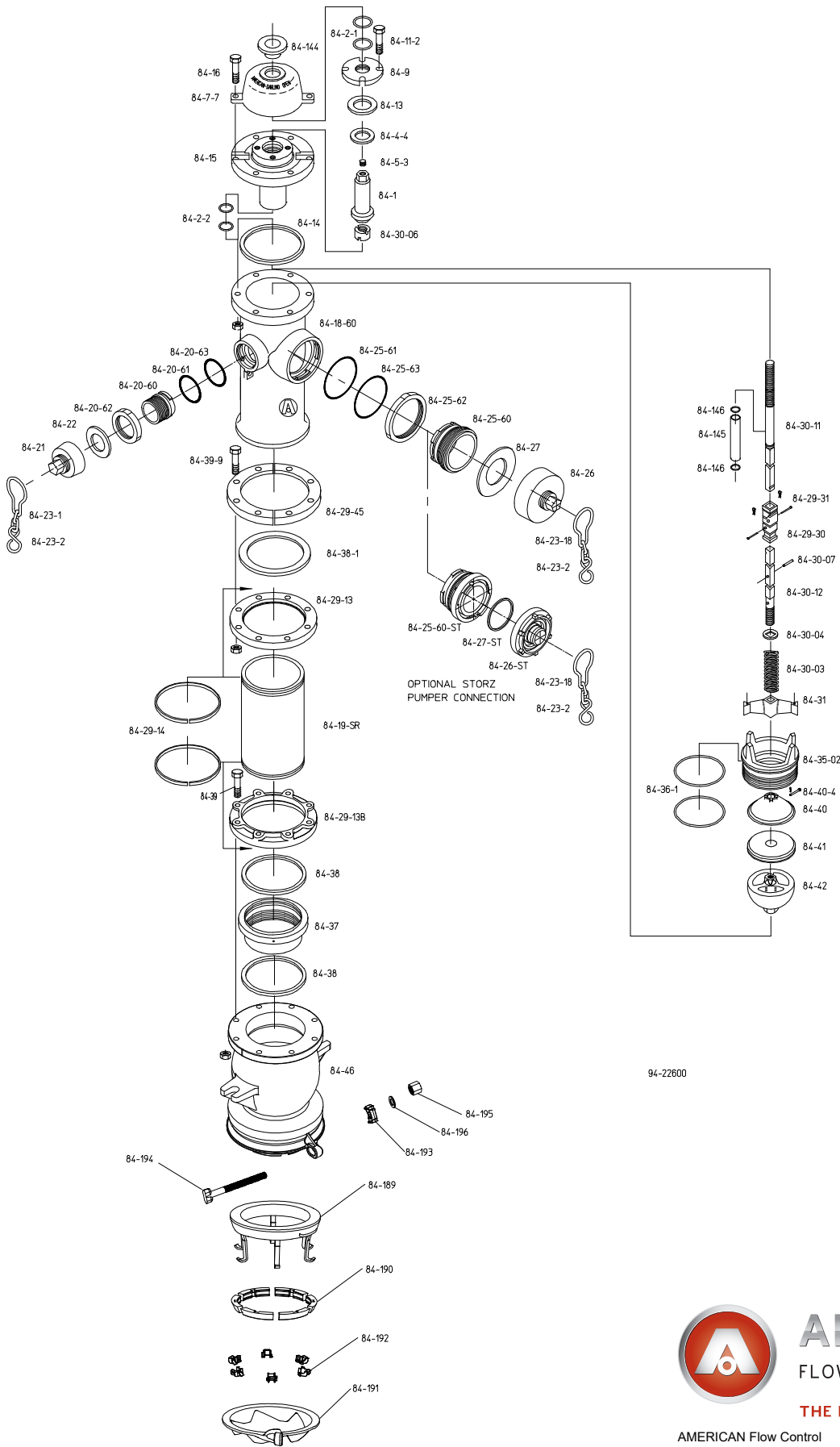
THE RIGHT WAY

AMERICAN Flow Control  
P.O. Box 2727  
Birmingham, Al. 35202-2727  
Phone: 800-326-8051  
Fax: 800-610-3569  
Email: afcsales@american-usa.com

Waterous Company  
125 Hardman Avenue South  
South St. Paul, Mn. 55075-1191  
Phone: 888-266-3686  
Fax: 800-601-2809  
Email: afcsales@american-usa.com

ALPHA™ is a licensed trademark of Romac Industries, Inc. (U.S. Patent 8,894,100)

WWW.AMERICAN-USA.COM



94-22800



**AMERICAN**  
FLOW CONTROL

**THE RIGHT WAY**

AMERICAN Flow Control  
P.O. Box 2727  
Birmingham, Al. 35202-2727  
Phone: 800-326-8051  
Fax: 800-610-3569  
Email: afcsales@american-usa.com

Waterous Company  
125 Hardman Avenue South  
South St. Paul, Mn. 55075-1191  
Phone: 888-266-3686  
Fax: 800-601-2809  
Email: afcsales@american-usa.com

[WWW.AMERICAN-USA.COM](http://WWW.AMERICAN-USA.COM)

Ref. No.	Qty.	Description	Material
84-1	1	Operating Nut	Bronze ASTM B763 UNS C86500
84-2-1	2	Cover O-Ring	Buna N
84-2-2	2	Housing O-Ring	Buna N
84-4-4	1	Thrust Washer	Nylatron
84-5-3	1	Pipe Plug	Stainless Steel
84-7-7	1	Weather Cover	Gray Iron ASTM A126 Class B
84-9	1	Housing Cover	Gray Iron ASTM A126 Class B
84-11-2	4	Cover Cap Screws	See Note 3
84-13	1	Cover Gasket	Fiber
84-14	1	Housing Gasket	EPDM Rubber
84-15	1	Housing	Ductile Iron ASTM A536 Grade 65-45-12
84-16	6	Housing Bolts & Nuts	See Note 3
84-18-60	1	Upper Barrel	Ductile Iron ASTM A536 Grade 65-45-12
84-19-SR	1	Lower Barrel	Ductile Iron AWWA C151 Grade 60-42-10
84-20-60	2	Hose Nozzle	Bronze ASTM B763 UNS C87600
84-20-61	2	Hose Nozzle Seal	Buna N
84-20-62	2	Hose Nozzle Retainer	Ductile Iron ASTM A536 Grade 65-45-12
84-20-63	2	Hose Nozzle Retainer Washer	Teflon
84-21	2	Hose Cap	*See Below
84-22	2	Hose Cap Gasket	Rubber
84-23-1	2	Hose Cap Chain with S-Hook	Steel
84-23-2	3	S-Hook	Steel
84-23-18	1	Pumper Cap Chain with S-Hook	Steel
84-25-60	1	Pumper Nozzle	Bronze ASTM B763 UNS C86700
84-25-60-ST	1	Storz Nozzle	Bronze/Aluminum
84-25-61	1	Pumper Nozzle Seal	Buna N
84-25-62	1	Pumper Nozzle Retainer	Ductile Iron ASTM A536 Grade 65-45-12
84-25-63	1	Pumper Nozzle Retainer Washer	Teflon
84-26	1	Pumper Cap	*See Below
84-26-ST	1	Storz Nozzle Cap	Aluminum
84-27	1	Pumper Cap Gasket	Rubber
84-27-ST	1	Storz Cap Gasket	Rubber
84-29-13	1	Barrel Flange	Ductile Iron ASTM A536 Grade 65-45-12
84-29-13B	1	Base Flange	Ductile Iron ASTM A536 Grade 65-45-12
84-29-14	2	Snap Ring	Stainless Steel
84-29-30	1	Rod Coupling	Gray Iron ASTM A126 Class B
84-29-31	2	Rod Coupling Pin & Clip Pin	Stainless Steel
84-29-45	1	Breakable Flange	Gray Iron ASTM A126 Class B
84-30-03	1	Hydrant Spring	Stainless Steel

Ref. No.	Qty.	Description	Material
84-30-04	1	Spring Plate	Stainless Steel
84-30-06	1	Travel Stop Nut	Bronze ASTM B283 UNS C37700
84-30-07	1	Spring Plate Pin	Stainless Steel
84-30-11	1	Upper Rod	Steel
84-30-12	1	Lower Rod	Steel
84-31	1	Drain Lever	Bronze ASTM B584 UNS C92200
84-35-02	1	Hydrant Seat	Bronze ASTM B584 UNS C92200
84-36-1	2	Seat O-Ring	Buna N
84-37	1	Drain Ring	Bronze ASTM B763 UNS C87600
84-38	2	Drain Ring Gasket	Composition Rubber
84-38-1	1	Barrel Gasket	EPDM Rubber
84-39	8	Base Bolts & Nuts	0304 Stainless Steel
84-39-9	8	Barrel Bolts & Nuts	See Note 3
84-40	1	Valve Top	Ductile Iron ASTM A536 Grade 65-45-12
84-40-4	1	Valve Top Clevis & Clip Pin	Stainless Steel
84-41	1	Hydrant Valve	EPDM Rubber
84-42	1	Valve Bottom	Ductile Iron ASTM A536 Grade 65-45-12
84-46-6AV	1	ALPHA™ Restraint Joint Vertical Base	Ductile Iron ASTM A536 Grade 65-45-12
84-144	1	Weather Shield	Rubber
84-145	1	Rod Sleeve	Bronze
84-146	2	Rod Sleeve O-Ring	Buna N
84-189	1	Gasket Assy (ALPHA)	NBR or SBR Rubber, ASTM D2000 Stainless Steel, Type 304
84-190	6	Gripper (ALPHA)	Ductile Iron, ASTM A536 Grade 65-45-12
84-191	1	End Ring (ALPHA)	Ductile Iron, ASTM A536 Grade 65-45-12
84-192	6	Ramp Runner (ALPHA)	Nylon
84-193	1	Bolt Guide (ALPHA)	Ductile Iron, ASTM A536 Grade 65-45-12
84-194	1	T-Head Bolt (ALPHA)	Stainless Steel, Type 304
84-195	1	Coupling Nut (ALPHA)	Stainless Steel, Type 304
84-196	1	Washer (ALPHA)	Stainless Steel, Type 304

Hydrants are furnished as "Draining" unless optional "Non-Draining" Configuration is otherwise noted below.

Optional "Non-Draining" Configuration required

Open Direction  Left(C.C.W.)  Right(C.W.)



**AMERICAN**  
FLOW CONTROL

**THE RIGHT WAY**

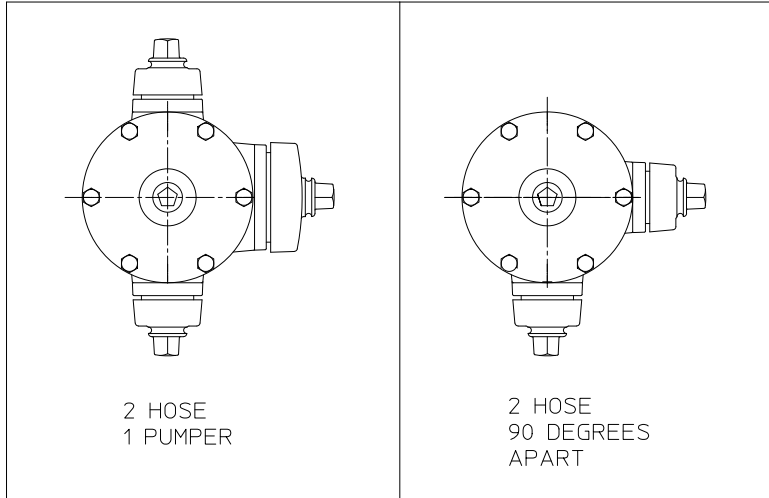
AMERICAN Flow Control  
P.O. Box 2727  
Birmingham, Al. 35202-2727  
Phone: 800-326-8051  
Fax: 800-610-3569  
Email: afcsales@american-usa.com

Waterous Company  
125 Hardman Avenue South  
South St. Paul, Mn. 55075-1191  
Phone: 888-266-3686  
Fax: 800-601-2809  
Email: afcsales@american-usa.com

[WWW.AMERICAN-USA.COM](http://WWW.AMERICAN-USA.COM)

\*National Standard and other common cap configurations are constructed of ASTM A536 Grade 65-45-12 ductile iron. Other offerings may be constructed of ASTM A126 Class B gray cast iron.

AVAILABLE NOZZLE ARRANGEMENTS



91-21351



**AMERICAN**  
FLOW CONTROL

**THE RIGHT WAY**

AMERICAN Flow Control  
P.O. Box 2727  
Birmingham, Al. 35202-2727  
Phone: 800-326-8051  
Fax: 800-610-3569  
Email: [afcsales@american-usa.com](mailto:afcsales@american-usa.com)

Waterous Company  
125 Hardman Avenue South  
South St. Paul, Mn. 55075-1191  
Phone: 888-266-3686  
Fax: 800-601-2809  
Email: [afcsales@american-usa.com](mailto:afcsales@american-usa.com)

[WWW.AMERICAN-USA.COM](http://WWW.AMERICAN-USA.COM)