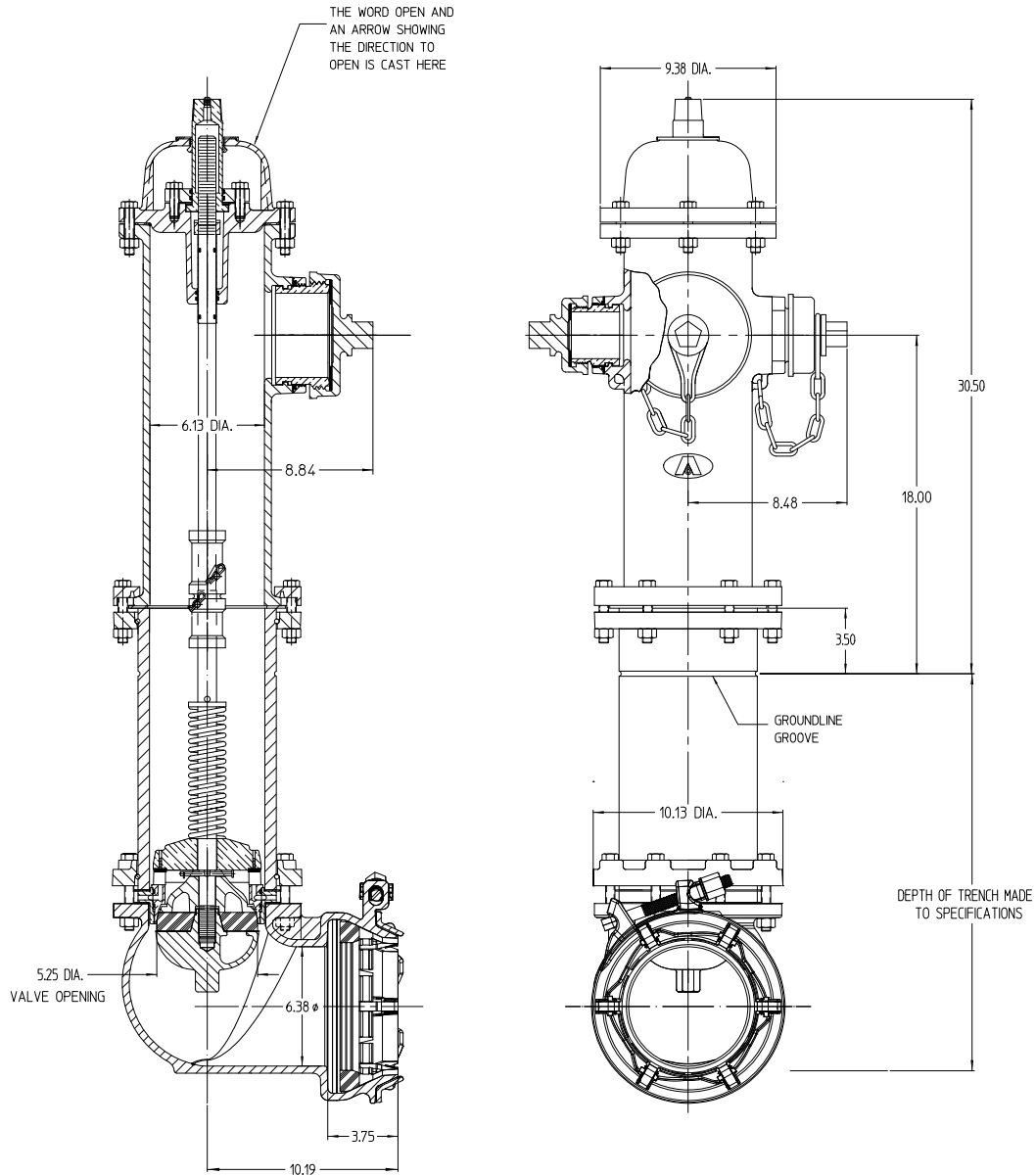


# AMERICAN Flow Control Submittal Information

## 5-1/4 AMERICAN-DARLING® B-84-B-5 TRAFFIC MODEL FIRE HYDRANT WITH ALPHA™ RESTRAINT JOINT



ALPHA restraint joints will accommodate the following pipe types and sizes:

**ALPHA**

- Ductile iron per AWWA C151
- PVC per ASTM D1785 (Schedule 40 and 80)
- PVC per ASTM D2241 (SDR 21)
- PVC per AWWA C900
- HDPE per AWWA C906 (SDR 9, 11, 13.5, and 17)

Nominal Size (in)	ALPHA OD Range (in)
6	6.60 - 7.00

**NOTES:**

1. Size and shape of operating nut and nut on caps, threading on nozzles and caps and the direction of opening made to specifications.
2. Cap chains are not furnished unless specified.
3. Bolts and nuts are rustproof steel ASTM A307 or equivalent, in accordance with AWWA 502
4. Working pressure 250 psig, test pressure 500 psig.
5. Hydrant conforms to AWWA standard C502
6. Valve top, valve bottom and base coated with fusion bonded epoxy coating.
7. Certified to NSF/ANSI Standard 61 and NSF/ANSI 372.
8. Nominal turns to open is 19-1/2.



AMERICAN

FLOW CONTROL

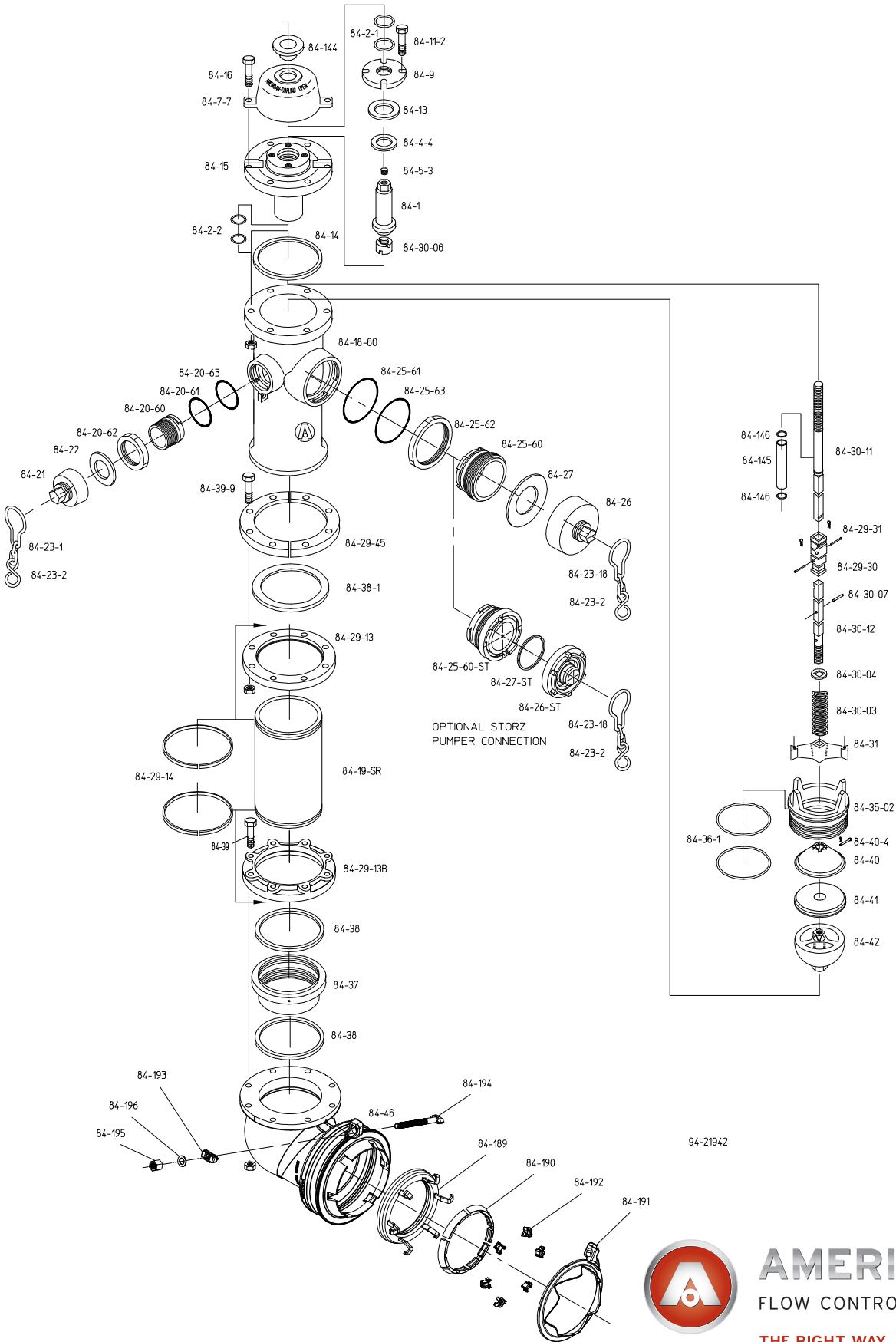
THE RIGHT WAY

AMERICAN Flow Control  
 P.O. Box 2727  
 Birmingham, Al. 35202-2727  
 Phone: 800-326-8051  
 Fax: 800-610-3569  
 Email: afcsales@american-usa.com

Waterous Company  
 125 Hardman Avenue South  
 South St. Paul, Mn. 55075-1191  
 Phone: 888-266-3686  
 Fax: 800-601-2809  
 Email: afcsales@american-usa.com

WWW.AMERICAN-USA.COM

ALPHA™ is a licensed trademark of Romac Industries, Inc. (U.S. Patent 8,894,100)



**AMERICAN**  
FLOW CONTROL

**THE RIGHT WAY**

AMERICAN Flow Control  
P.O. Box 2727  
Birmingham, Al. 35202-2727  
Phone: 800-326-8051  
Fax: 800-610-3569  
Email: afcsales@american-usa.com

Waterous Company  
125 Hardman Avenue South  
South St. Paul, Mn. 55075-1191  
Phone: 888-266-3686  
Fax: 800-601-2809  
Email: afcsales@american-usa.com

[WWW.AMERICAN-USA.COM](http://WWW.AMERICAN-USA.COM)

Ref. No.	Qty.	Description	Material
84-1	1	Operating Nut	Bronze ASTM B763 UNS C86500
84-2-1	2	Cover O-Ring	Buna N
84-2-2	2	Housing O-Ring	Buna N
84-4-4	1	Thrust Washer	Nylatron
84-5-3	1	Pipe Plug	Stainless Steel
84-7-7	1	Weather Cover	Gray Iron ASTM A126 Class B
84-9	1	Housing Cover	Gray Iron ASTM A126 Class B
84-11-2	4	Cover Cap Screws	See Note 3
84-13	1	Cover Gasket	Fiber
84-14	1	Housing Gasket	EPDM Rubber
84-15	1	Housing	Ductile Iron ASTM A536 Grade 65-45-12
84-16	6	Housing Bolts & Nuts	See Note 3
84-18-60	1	Upper Barrel	Ductile Iron ASTM A536 Grade 65-45-12
84-19-SR	1	Lower Barrel	Ductile Iron AWWA C151 Grade 60-42-10
84-20-60	2	Hose Nozzle	Bronze ASTM B763 UNS C87600
84-20-61	2	Hose Nozzle Seal	Buna N
84-20-62	2	Hose Nozzle Retainer	Ductile Iron ASTM A536 Grade 65-45-12
84-20-63	2	Hose Nozzle Retainer Washer	Teflon
84-21	2	Hose Cap	*See Below
84-22	2	Hose Cap Gasket	Rubber
84-23-1	2	Hose Cap Chain with S-Hook	Steel
84-23-2	3	S-Hook	Steel
84-23-18	1	Pumper Cap Chain with S-Hook	Steel
84-25-60	1	Pumper Nozzle	Bronze ASTM B763 UNS C86700
84-25-60-ST	1	Storz Nozzle	Bronze/Aluminum
84-25-61	1	Pumper Nozzle Seal	Buna N
84-25-62	1	Pumper Nozzle Retainer	Ductile Iron ASTM A536 Grade 65-45-12
84-25-63	1	Pumper Nozzle Retainer Washer	Teflon
84-26	1	Pumper Cap	*See Below
84-26-ST	1	Storz Nozzle Cap	Aluminum
84-27	1	Pumper Cap Gasket	Rubber
84-27-ST	1	Storz Cap Gasket	Rubber
84-29-13	1	Barrel Flange	Ductile Iron ASTM A536 Grade 65-45-12
84-29-13B	1	Base Flange	Ductile Iron ASTM A536 Grade 65-45-12
84-29-14	2	Snap Ring	Stainless Steel
84-29-30	1	Rod Coupling	Gray Iron ASTM A126 Class B
84-29-31	2	Rod Coupling Pin & Clip Pin	Stainless Steel
84-29-45	1	Breakable Flange	Gray Iron ASTM A126 Class B
84-30-03	1	Hydrant Spring	Stainless Steel

Ref. No.	Qty.	Description	Material
84-30-04	1	Spring Plate	Stainless Steel
84-30-06	1	Travel Stop Nut	Bronze ASTM B283 UNS C37700
84-30-07	1	Spring Plate Pin	Stainless Steel
84-30-11	1	Upper Rod	Steel
84-30-12	1	Lower Rod	Steel
84-31	1	Drain Lever	Bronze ASTM B584 UNS C92200
84-35-02	1	Hydrant Seat	Bronze ASTM B584 UNS C92200
84-36-1	2	Seat O-Ring	Buna N
84-37	1	Drain Ring	Bronze ASTM B763 UNS C87600
84-38	2	Drain Ring Gasket	Composition Rubber
84-38-1	1	Barrel Gasket	EPDM Rubber
84-39	8	Base Bolts & Nuts	0304 Stainless Steel
84-39-9	8	Barrel Bolts & Nuts	See Note 3
84-40	1	Valve Top	Ductile Iron ASTM A536 Grade 65-45-12
84-40-4	1	Valve Top Clevis & Clip Pin	Stainless Steel
84-41	1	Hydrant Valve	EPDM Rubber
84-42	1	Valve Bottom	Ductile Iron ASTM A536 Grade 65-45-12
84-46-6AA	1	ALPHA™ Restraint Joint Base	Ductile Iron ASTM A536 Grade 65-45-12
84-144	1	Weather Shield	Rubber
84-145	1	Rod Sleeve	Bronze
84-146	2	Rod Sleeve O-Ring	Buna N
84-189	1	Gasket Assy (ALPHA)	NBR or SBR Rubber, ASTM D2000 Stainless Steel, Type 304
84-190	6	Gripper (ALPHA)	Ductile Iron, ASTM A536 Grade 65-45-12
84-191	1	End Ring (ALPHA)	Ductile Iron, ASTM A536 Grade 65-45-12
84-192	6	Ramp Runner (ALPHA)	Nylon
84-193	1	Bolt Guide (ALPHA)	Ductile Iron, ASTM A536 Grade 65-45-12
84-194	1	T-Head Bolt (ALPHA)	Stainless Steel, Type 304
84-195	1	Coupling Nut (ALPHA)	Stainless Steel, Type 304
84-196	1	Washer (ALPHA)	Stainless Steel, Type 304

Hydrants are furnished as "Draining" unless optional "Non-Draining" Configuration is otherwise noted below.

Optional "Non-Draining" Configuration required  
 Open Direction  Left(C.C.W.)  Right(C.W.)



**AMERICAN**  
FLOW CONTROL

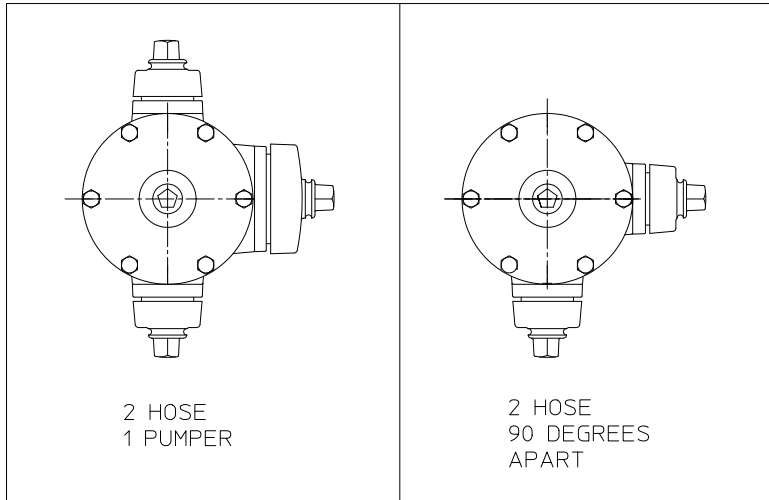
THE RIGHT WAY

AMERICAN Flow Control  
 P.O. Box 2727  
 Birmingham, Al. 35202-2727  
 Phone: 800-326-8051  
 Fax: 800-610-3569  
 Email: afcsales@american-usa.com

Waterous Company  
 125 Hardman Avenue South  
 South St. Paul, Mn. 55075-1191  
 Phone: 888-266-3686  
 Fax: 800-601-2809  
 Email: afcsales@american-usa.com

\*National Standard and other common cap configurations are constructed of ASTM A536 Grade 65-45-12 ductile iron. Other offerings may be constructed of ASTM A126 Class B gray cast iron.

AVAILABLE NOZZLE ARRANGEMENTS



91-21351



**AMERICAN**  
FLOW CONTROL

**THE RIGHT WAY**

AMERICAN Flow Control  
P.O. Box 2727  
Birmingham, Al. 35202-2727  
Phone: 800-326-8051  
Fax: 800-610-3569  
Email: [afcsales@american-usa.com](mailto:afcsales@american-usa.com)

Waterous Company  
125 Hardman Avenue South  
South St. Paul, Mn. 55075-1191  
Phone: 888-266-3686  
Fax: 800-601-2809  
Email: [afcsales@american-usa.com](mailto:afcsales@american-usa.com)

[WWW.AMERICAN-USA.COM](http://WWW.AMERICAN-USA.COM)