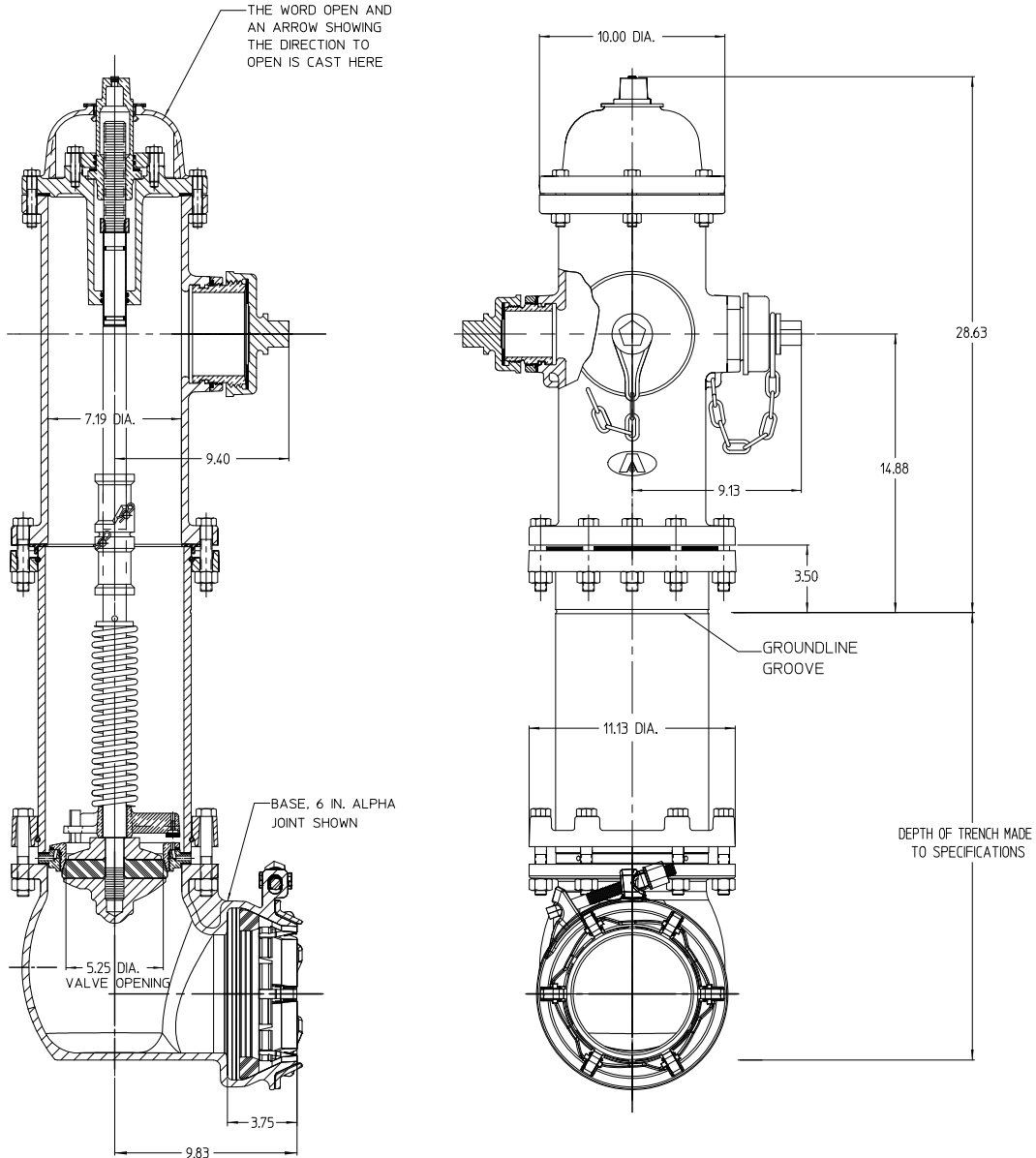


AMERICAN Flow Control Submittal Information

5-1/4 AMERICAN-DARLING® B-62-B-5 TRAFFIC MODEL FIRE HYDRANT WITH ALPHA™ RESTRAINT JOINT



ALPHA restraint joints will accommodate the following pipe types and sizes:

ALPHA

- Ductile iron per AWWA C151
- PVC per ASTM D1785 (Schedule 40 and 80)
- PVC per ASTM D2241 (SDR 21)
- PVC per AWWA C900
- HDPE per AWWA C906 (SDR 9, 11, 13.5, and 17)

Nominal Size (in)	ALPHA OD Range (in)
6	6.60 - 7.00

NOTES:

1. Size and shape of operating nut and nut on caps, threading on nozzles and caps and the direction of opening made to specifications.
2. Cap chains are not furnished unless specified.
3. Bolts and nuts are rustproof steel ASTM A307 or equivalent, in accordance with AWWA 502
4. Working pressure 200 psig, test pressure 400 psig.
5. Hydrant conforms to AWWA standard C502
6. Valve top, valve bottom and base coated with fusion bonded epoxy coating.
7. Certified to NSF/ANSI Standard 61 and NSF/ANSI 372.
8. Nominal turns to open is 22.



AMERICAN
FLOW CONTROL

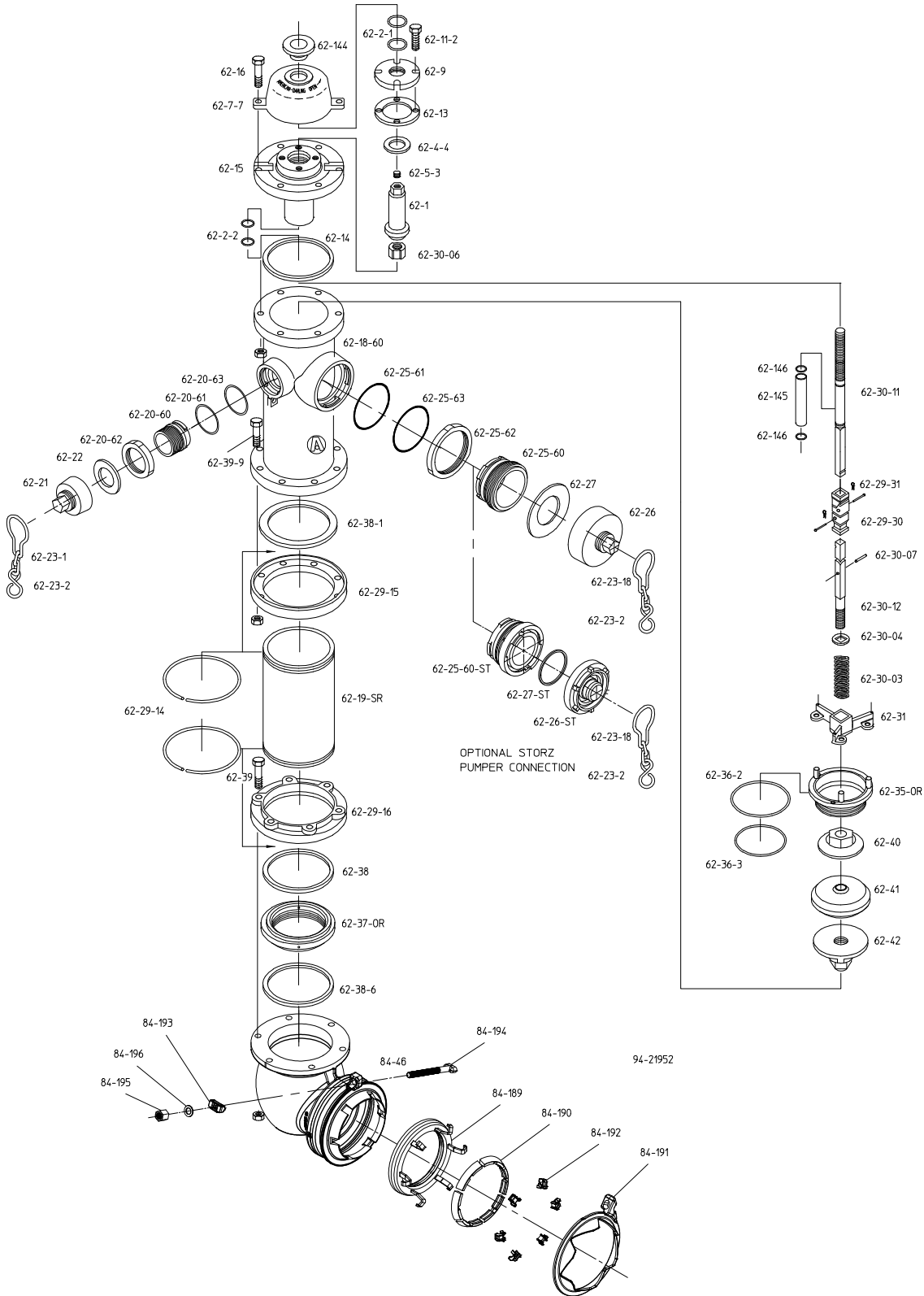
THE RIGHT WAY

AMERICAN Flow Control
P.O. Box 2727
Birmingham, Al. 35202-2727
Phone: 800-326-8051
Fax: 800-610-3569
Email: afcsales@american-usa.com

Waterous Company
125 Hardman Avenue South
South St. Paul, Mn. 55075-1191
Phone: 888-266-3686
Fax: 800-601-2809
Email: afcsales@american-usa.com

WWW.AMERICAN-USA.COM

ALPHA™ is a licensed trademark of Romac Industries, Inc. (U.S. Patent 8,894,100)



AMERICAN

FLOW CONTROL

THE RIGHT WAY

AMERICAN Flow Control
 P.O. Box 2727
 Birmingham, Al. 35202-2727
 Phone: 800-326-8051
 Fax: 800-610-3569
 Email: afcsales@american-usa.com

Waterous Company
 125 Hardman Avenue South
 South St. Paul, Mn. 55075-1191
 Phone: 888-266-3686
 Fax: 800-601-2809
 Email: afcsales@american-usa.com

WWW.AMERICAN-USA.COM

Ref. No.	Qty.	Description	Material
61-1	1	Operating Nut	Bronze ASTM B763 UNS C84400
62-2-1	2	Cover O-Ring	Buna N
62-2-2	2	Housing O-Ring	Buna N
62-4-4	1	Thrust Washer	Nylatron
62-5-3	1	Pipe Plug	Stainless Steel
62-7-7	1	Weather Cover	Gray Iron ASTM A126 Class B
62-9	1	Housing Cover	Gray Iron ASTM A126 Class B
62-11-2	4	Cover Cap Screws	See Note 3
63-13	1	Cover Gasket	Fiber
62-14	1	Housing Gasket	EPDM Rubber
62-15	1	Housing	Ductile Iron ASTM A536 Grade 65-45-12
62-16	6	Housing Bolts & Nuts	See Note 3
62-18-60	1	Upper Barrel	Ductile Iron ASTM A536 Grade 65-45-12
62-19-SR	1	Lower Barrel	Ductile Iron AWWA C151 Grade 60-42-10
62-20-60	2	Hose Nozzle	Bronze ASTM B763 UNS C87600
62-20-61	2	Hose Nozzle Seal	Buna N
62-20-62	2	Hose Nozzle Retainer	Ductile Iron ASTM A536 Grade 65-45-12
62-20-63	2	Hose Nozzle Retainer Washer	Teflon
62-21	2	Hose Cap	*See Below
62-22	2	Hose Cap Gasket	Rubber
62-23-1	2	Hose Cap Chain with S-Hook	Steel
62-23-2	3	S-Hook	Steel
62-23-18	1	Pumper Cap Chain with S-Hook	Steel
62-25-60	1	Pumper Nozzle	Bronze ASTM B763 UNS C86700
62-25-60-ST	1	Storz Nozzle	Bronze/Aluminum
62-25-61	1	Pumper Nozzle Seal	Buna N
62-25-62	1	Pumper Nozzle Retainer	Ductile Iron ASTM A536 Grade 65-45-12
62-25-63	1	Pumper Nozzle Retainer Washer	Teflon
62-26	1	Pumper Cap	*See Below
62-26-ST		Storz Nozzle Cap	Aluminum
62-27	1	Pumper Cap Gasket	Rubber
62-27ST	1	Storz Cap Gasket	Rubber
62-29-14	2	Snap Ring	Stainless Steel
62-29-15	1	Breakable Flange	Ductile Iron ASTM A536 Grade 65-45-12
62-29-16	1	Base Flange	Ductile Iron ASTM A536 Grade 65-45-12
62-29-30	1	Rod Coupling	Gray Iron ASTM A126 Class B
62-29-31	2	Rod Coupling Pin & Clip Pin	Stainless Steel
62-30-03	1	Hydrant Spring	Stainless Steel

Ref. No.	Qty.	Description	Material
62-30-04	1	Spring Plate	Stainless Steel
62-30-06	1	Travel Stop Nut	Bronze ASTM B283 UNS C37700
62-30-07	1	Spring Plate Pin	Stainless Steel
62-30-11	1	Upper Rod	Steel
62-30-12	1	Lower Rod	Steel
62-31	1	Drain Lever	Bronze ASTM B584 UNS C92200
62-35-OR	1	Hydrant Seat	Bronze ASTM B584 UNS C92200
62-36-2	1	Seat O-Ring-Outside	Buna N
62-36-3	1	Seat O-Ring-Inside	Buna N
62-37-OR	1	Drain Ring	Bronze ASTM B763 UNS C87600
62-38	1	Drain Ring Gasket	Composition Rubber
62-38-1	1	Barrel Gasket	EPDM Rubber
62-38-6	1	Base Gasket	Composition Rubber
62-39	6	Base Bolts & Nuts	0304 Stainless Steel
62-39-9	8	Barrel Bolts & Nuts	See Note 3
62-40	1	Valve Top	Gray Iron ASTM A126 Class B
62-41	1	Hydrant Valve	EPDM Rubber
62-42	1	Valve Bottom	Gray Iron ASTM A126 Class B
62-46-6AA	1	ALPHA™ Restraint Joint Base	Ductile Iron ASTM A536 Grade 65-45-12
62-144	1	Weather Shield	Rubber
62-145	1	Rod Sleeve	Bronze
62-146	2	Rod Sleeve O-Ring	Buna N
62-189	1	Gasket Assy (ALPHA)	NBR or SBR Rubber, ASTM D2000 Stainless Steel, Type 304
62-190	6	Gripper (ALPHA)	Ductile Iron, ASTM A536 Grade 65-45-12
62-191	1	End Ring (ALPHA)	Ductile Iron, ASTM A536 Grade 65-45-12
62-192	6	Ramp Runner (ALPHA)	Nylon
62-193	1	Bolt Guide (ALPHA)	Ductile Iron, ASTM A536 Grade 65-45-12
62-194	1	T-Head Bolt (ALPHA)	Stainless Steel, Type 304
62-195	1	Coupling Nut (ALPHA)	Stainless Steel, Type 304
62-196	1	Washer (ALPHA)	Stainless Steel, Type 304

Hydrants are furnished as "Draining" unless optional "Non-Draining" Configuration is otherwise noted below.

Optional "Non-Draining" Configuration required
 Open Direction Left(C.C.W.) Right(C.W.)



AMERICAN
FLOW CONTROL

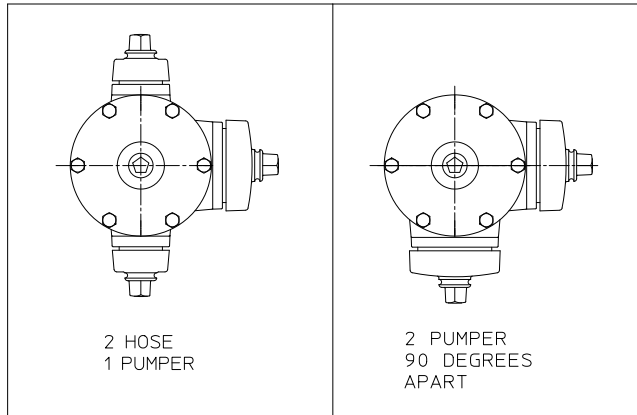
THE RIGHT WAY

AMERICAN Flow Control
 P.O. Box 2727
 Birmingham, Al. 35202-2727
 Phone: 800-326-8051
 Fax: 800-610-3569
 Email: afcsales@american-usa.com

Waterous Company
 125 Hardman Avenue South
 South St. Paul, Mn. 55075-1191
 Phone: 888-266-3686
 Fax: 800-601-2809
 Email: afcsales@american-usa.com

*National Standard and other common cap configurations are constructed of ASTM A536 Grade 65-45-12 ductile iron. Other offerings may be constructed of ASTM A126 Class B gray cast iron.

AVAILABLE NOZZLE ARRANGEMENTS



91-21352



AMERICAN
FLOW CONTROL

THE RIGHT WAY

AMERICAN Flow Control
P.O. Box 2727
Birmingham, Al. 35202-2727
Phone: 800-326-8051
Fax: 800-610-3569
Email: afcsales@american-usa.com

Waterous Company
125 Hardman Avenue South
South St. Paul, Mn. 55075-1191
Phone: 888-266-3686
Fax: 800-601-2809
Email: afcsales@american-usa.com

WWW.AMERICAN-USA.COM