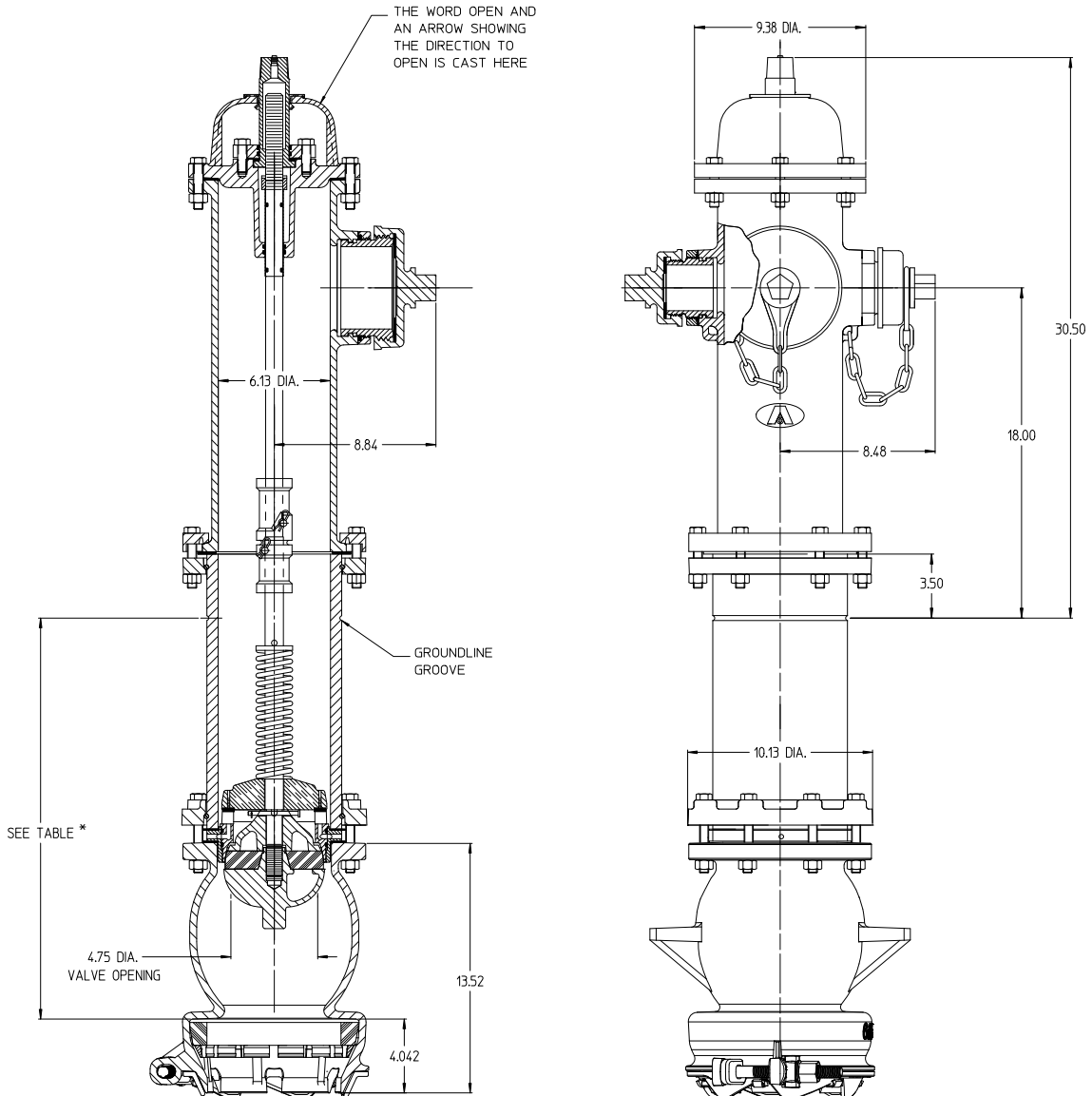


AMERICAN Flow Control Submittal Information

4-1/2 AMERICAN-DARLING® MARK 73-5 TRAFFIC MODEL FIRE HYDRANT WITH VERTICAL ALPHA™ RESTRAINT JOINT



*VERTICAL INLET BURY DEPTHS	
Order Depth	Dimension (in)
3'-0"	36.53
3'-6"	42.53

**VERTICAL ALPHA BASE FOR USE WITH 6-IN DUCTILE IRON PIPE ONLY.
ALL JOINTS IN HYDRANT LEAD MUST BE PROPERLY RESTRAINED.**

NOTES:

- Size and shape of operating nut and nut on caps, threading on nozzles and caps and the direction of opening made to specifications.
- Cap chains are not furnished unless specified.
- Bolts and nuts are rustproof steel ASTM A307 or equivalent, in accordance with AWWA 502.
- Working pressure 250 psig, test pressure 500 psig.
- Hydrant conforms to AWWA standard C502.
- Valve top, valve bottom and base coated with fusion bonded epoxy coating.
- Certified to NSF/ANSI/CAN 61 and NSF/ANSI/CAN 372.
- Nominal turns to open is 17-1/2.



AMERICAN
FLOW CONTROL

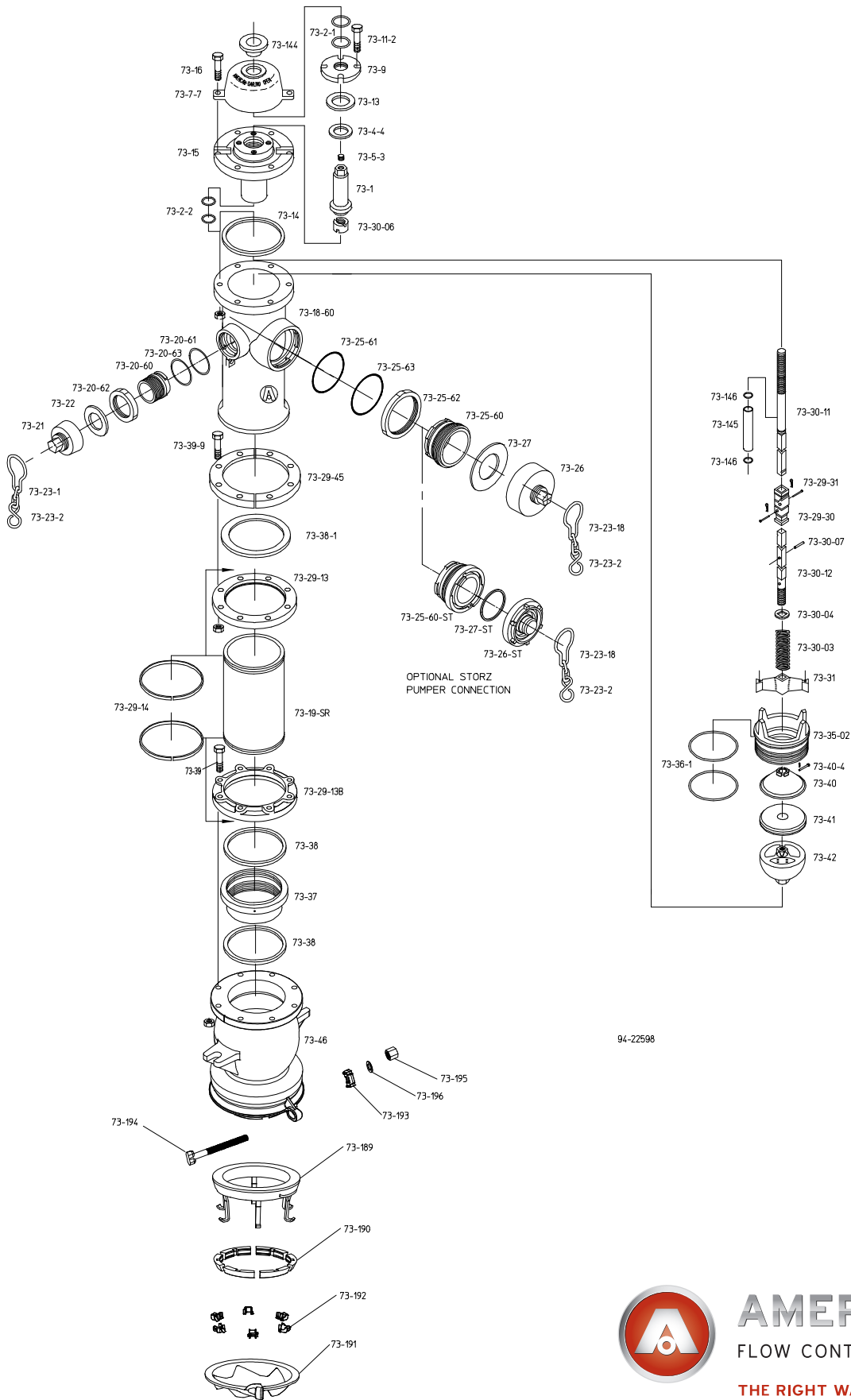
THE RIGHT WAY

AMERICAN Flow Control
P.O. Box 2727
Birmingham, Al. 35202-2727
Phone: 800-326-8051
Fax: 800-610-3569
Email: afcsales@american-usa.com

Waterous Company
125 Hardman Avenue South
South St. Paul, Mn. 55075-1191
Phone: 888-266-3686
Fax: 800-601-2809
E-mail: afcsales@american-usa.com

ALPHA™ is a licensed trademark of Romac Industries, Inc. (U.S. Patent 8,894,100)

WWW.AMERICAN-USA.COM



AMERICAN
FLOW CONTROL

THE RIGHT WAY

AMERICAN Flow Control
P.O. Box 2727
Birmingham, Al. 35202-2727
Phone: 800-326-8051
Fax: 800-610-3569
Email: afcsales@american-usa.com

Waterous Company
125 Hardman Avenue South
South St. Paul, Mn. 55075-1191
Phone: 888-266-3686
Fax: 800-601-2809
Email: afcsales@american-usa.com

WWW.AMERICAN-USA.COM

Ref. No.	Qty.	Description	Material
73-1	1	Operating Nut	Bronze ASTM B763 UNS C86500
73-2-1	2	Cover O-Ring	Buna N
73-2-2	2	Housing O-Ring	Buna N
73-4-4	1	Thrust Washer	Nylatron
73-5-3	1	Pipe Plug	Stainless Steel
73-7-7	1	Weather Cover	Gray Iron ASTM A126 Class B
73-9	1	Housing Cover	Gray Iron ASTM A126 Class B
73-11-2	4	Cover Cap Screws	See Note 3
73-13	1	Cover Gasket	Fiber
73-14	1	Housing Gasket	EPDM Rubber
73-15	1	Housing	Ductile Iron ASTM A536 Grade 65-45-12
73-16	6	Housing Bolts & Nuts	See Note 3
73-18-60	1	Upper Barrel	Ductile Iron ASTM A536 Grade 65-45-12
73-19-SR	1	Lower Barrel	Ductile Iron AWWA C151 Grade 60-42-10
73-20-60	2	Hose Nozzle	Bronze ASTM B763 UNS C87600
73-20-61	2	Hose Nozzle Seal	Buna N
73-20-62	2	Hose Nozzle Retainer	Ductile Iron ASTM A536 Grade 65-45-12
73-20-63	2	Hose Nozzle Retainer Washer	Teflon
73-21	2	Hose Cap	*See Below
73-22	2	Hose Cap Gasket	Rubber
73-23-1	2	Hose Cap Chain with S-Hook	Steel
73-23-2	3	S-Hook	Steel
73-23-18	1	Pumper Cap Chain with S-Hook	Steel
73-25-60	1	Pumper Nozzle	Bronze ASTM B763 UNS C86700
73-25-60-ST	1	Storz Nozzle	Bronze/Aluminum
73-25-61	1	Pumper Nozzle Seal	Buna N
73-25-62	1	Pumper Nozzle Retainer	Ductile Iron ASTM A536 Grade 65-45-12
73-25-63	1	Pumper Nozzle Retainer Washer	Teflon
73-26	1	Pumper Cap	*See Below
73-26-ST	1	Storz Nozzle Cap	Aluminum
73-27	1	Pumper Cap Gasket	Rubber
73-27-ST	1	Storz Cap Gasket	Rubber
73-29-13	1	Barrel Flange	Ductile Iron ASTM A536 Grade 65-45-12
73-29-13B	1	Base Flange	Ductile Iron ASTM A536 Grade 65-45-12
73-29-14	2	Snap Ring	Stainless Steel
73-29-30	1	Rod Coupling	Gray Iron ASTM A126 Class B
73-29-31	2	Rod Coupling Pin & Clip Pin	Stainless Steel
73-29-45	1	Breakable Flange	Gray Iron ASTM A126 Class B
73-30-03	1	Hydrant Spring	Stainless Steel

Ref. No.	Qty.	Description	Material
73-30-04	1	Spring Plate	Stainless Steel
73-30-06	1	Travel Stop Nut	Bronze ASTM B283 UNS C37700
73-30-07	1	Spring Plate Pin	Stainless Steel
73-30-11	1	Upper Rod	Steel
73-30-12	1	Lower Rod	Steel
73-31	1	Drain Lever	Bronze ASTM B584 UNS C92200
73-35-02	1	Hydrant Seat	Bronze ASTM B584 UNS C92200
73-36-1	2	Seat O-Ring	Buna N
73-37	1	Drain Ring	Bronze ASTM B763 UNS C87600
73-38	2	Drain Ring Gasket	Composition Rubber
73-38-1	1	Barrel Gasket	EPDM Rubber
73-39	8	Base Bolts & Nuts	0304 Stainless Steel
73-39-9	8	Barrel Bolts & Nuts	See Note 3
73-40	1	Valve Top	Ductile Iron ASTM A536 Grade 65-45-12
73-40-4	1	Valve Top Clevis & Clip Pin	Stainless Steel
73-41	1	Hydrant Valve	EPDM Rubber
73-42	1	Valve Bottom	Ductile Iron ASTM A536 Grade 65-45-12
73-46-6AV	1	ALPHA™ Restraint Joint Vertical Base	Ductile Iron ASTM A536 Grade 65-45-12
73-144	1	Weather Shield	Rubber
73-145	1	Rod Sleeve	Bronze
73-146	2	Rod Sleeve O-Ring	Buna N
73-189	1	Gasket Assy (ALPHA)	NBR or SBR Rubber, ASTM D2000 Stainless Steel, Type 304
73-190	6	Gripper (ALPHA)	Ductile Iron, ASTM A536 Grade 65-45-12
73-191	1	End Ring (ALPHA)	Ductile Iron, ASTM A536 Grade 65-45-12
73-192	6	Ramp Runner (ALPHA)	Nylon
73-193	1	Bolt Guide (ALPHA)	Ductile Iron, ASTM A536 Grade 65-45-12
73-194	1	T-Head Bolt (ALPHA)	Stainless Steel, Type 304
73-195	1	Coupling Nut (ALPHA)	Stainless Steel, Type 304
73-196	1	Washer (ALPHA)	Stainless Steel, Type 304

Hydrants are furnished as "Draining" unless optional "Non-Draining" Configuration is otherwise noted below.

Optional "Non-Draining" Configuration required
 Open Direction Left(C.C.W.) Right(C.W.)



AMERICAN
FLOW CONTROL

THE RIGHT WAY

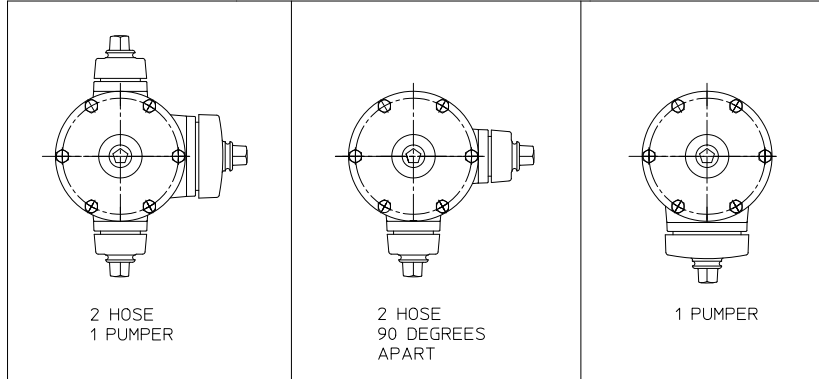
AMERICAN Flow Control
 P.O. Box 2727
 Birmingham, Al. 35202-2727
 Phone: 800-326-8051
 Fax: 800-610-3569
 Email: afcsales@american-usa.com

Waterous Company
 125 Hardman Avenue South
 South St. Paul, Mn. 55075-1191
 Phone: 888-266-3686
 Fax: 800-601-2809
 Email: afcsales@american-usa.com

*National Standard and other common cap configurations are constructed of ASTM A536 Grade 65-45-12 ductile iron. Other offerings may be constructed of ASTM A126 Class B gray cast iron.

Available Bases

AVAILABLE NOZZLE ARRANGEMENTS



91-21350



AMERICAN
FLOW CONTROL

THE RIGHT WAY

AMERICAN Flow Control
P.O. Box 2727
Birmingham, Al. 35202-2727
Phone: 800-326-8051
Fax: 800-610-3569
Email: afcsales@american-usa.com

Waterous Company
125 Hardman Avenue South
South St. Paul, Mn. 55075-1191
Phone: 888-266-3686
Fax: 800-601-2809
Email: afcsales@american-usa.com

WWW.AMERICAN-USA.COM