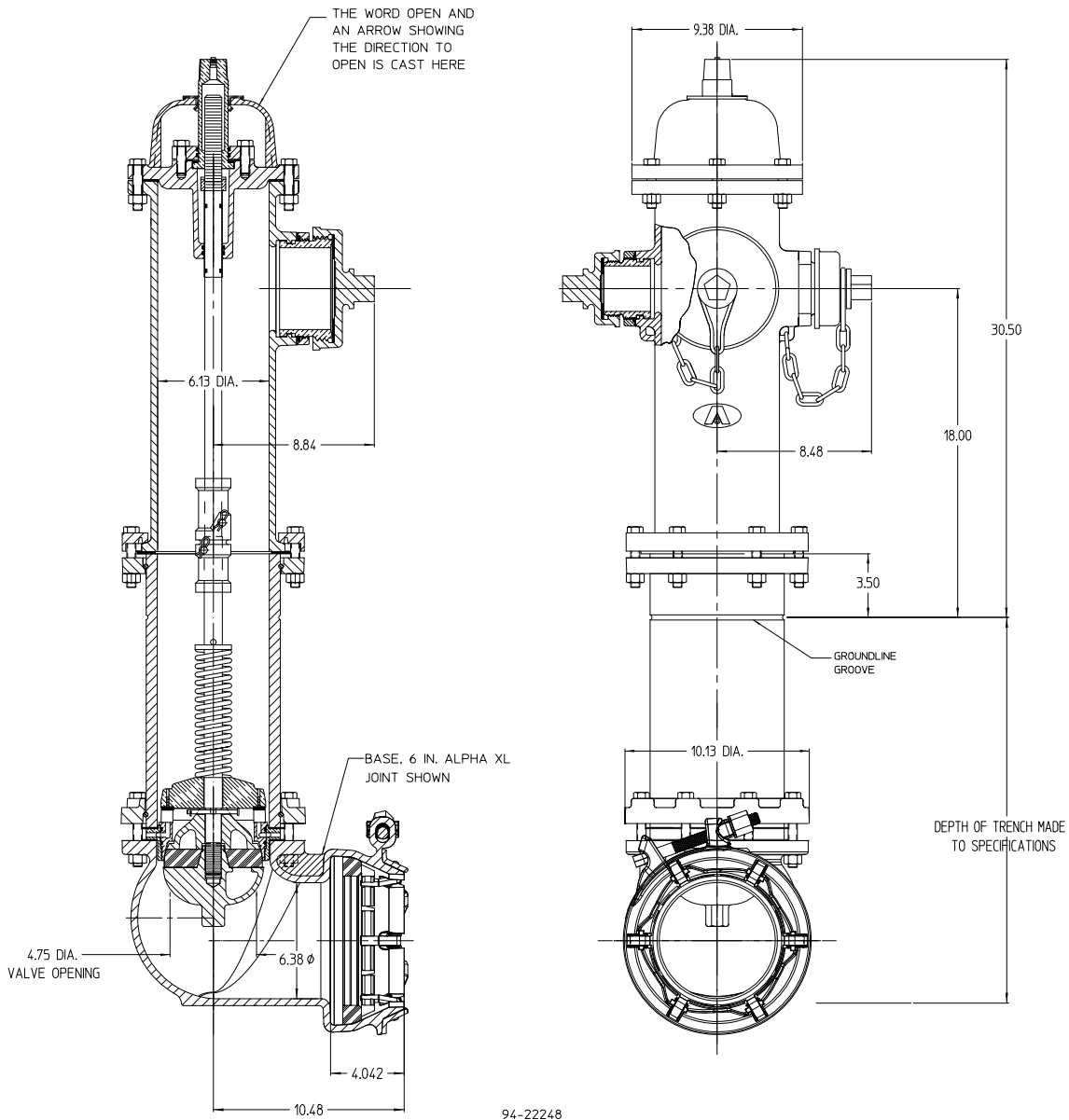


AMERICAN Flow Control Submittal Information

4-1/2 AMERICAN-DARLING® MARK 73-5 TRAFFIC MODEL FIRE HYDRANT WITH ALPHA™ XL RESTRAINT



ALPHA restraint joints will accommodate the following pipe types and sizes:

ALPHA XL

- Gray Iron (Class A, B, C, and D)

| Nominal Size (in) | ALPHA XL OD Range (in) |
|-------------------|------------------------|
| 6 | 6.90 - 7.10 |

NOTES:

1. Size and shape of operating nut and nut on caps, threading on nozzles and caps and the direction of opening made to specifications.
2. Cap chains are not furnished unless specified.
3. Bolts and nuts are rustproof steel ASTM A307 or equivalent, in accordance with AWWA 502
4. Working pressure 250 psig, test pressure 500 psig.
5. Hydrant conforms to AWWA standard C502
6. Valve top, valve bottom and base coated with fusion bonded epoxy coating.
7. Certified to NSF/ANSI Standard 61 and NSF/ANSI 372.
8. Nominal turns to open is 19-1/2.

ALPHA™ is a licensed trademark of Romac Industries, Inc. (U.S. Patent 8,894,100)



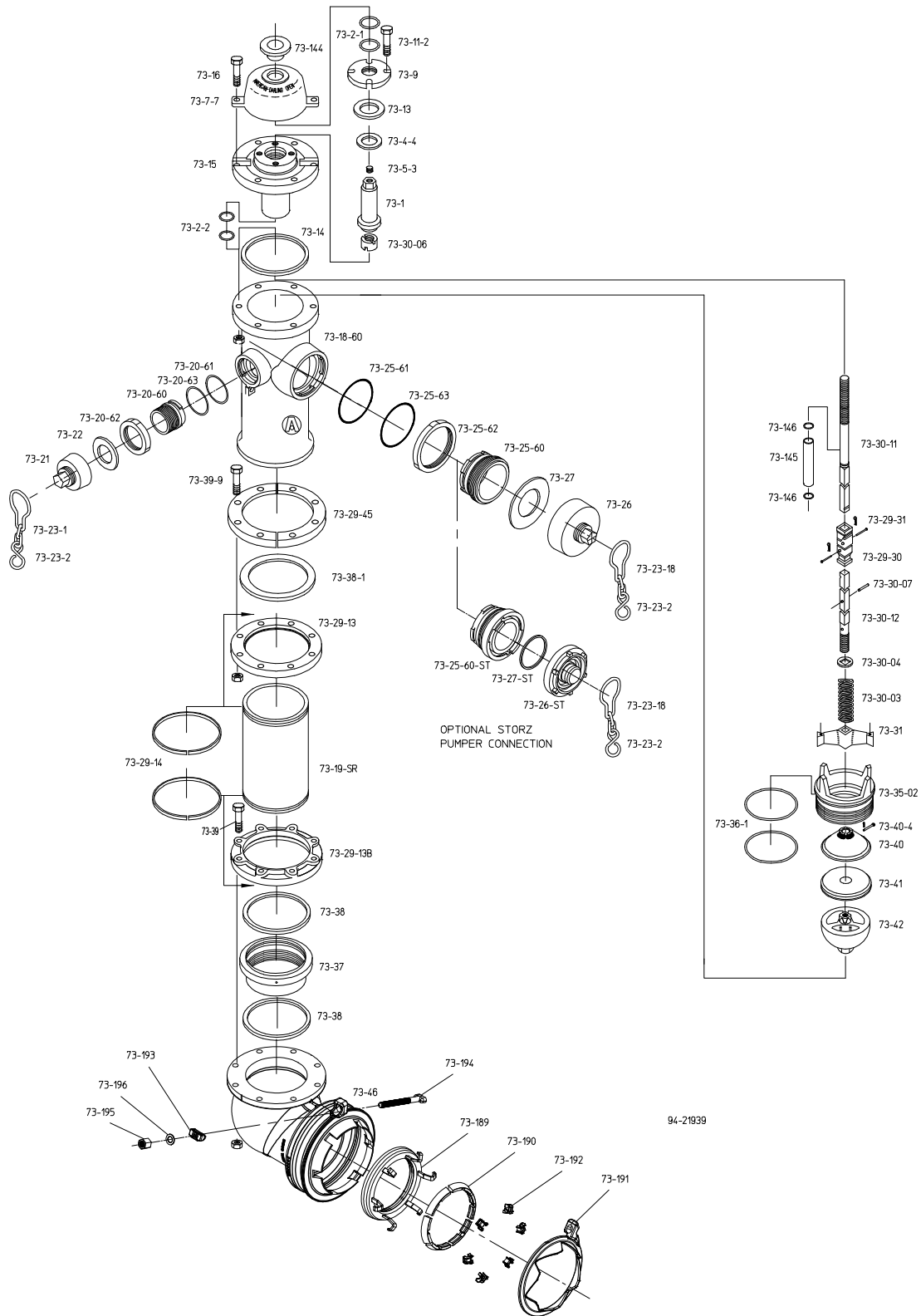
AMERICAN
FLOW CONTROL

THE RIGHT WAY

AMERICAN Flow Control
P.O. Box 2727
Birmingham, Al. 35202-2727
Phone: 800-326-8051
Fax: 800-610-3569
Email: afcsales@american-usa.com

Waterous Company
125 Hardman Avenue South
South St. Paul, Mn. 55075-1191
Phone: 888-266-3686
Fax: 800-601-2809
E-mail: afcsales@american-usa.com

WWW.AMERICAN-USA.COM



94-21939



AMERICAN

FLOW CONTROL

THE RIGHT WAY

AMERICAN Flow Control
 P.O. Box 2727
 Birmingham, Al. 35202-2727
 Phone: 800-326-8051
 Fax: 800-610-3569
 Email: afcsales@american-usa.com

Waterous Company
 125 Hardman Avenue South
 South St. Paul, Mn. 55075-1191
 Phone: 888-266-3686
 Fax: 800-601-2809
 Email: afcsales@american-usa.com

WWW.AMERICAN-USA.COM

| Ref. No. | Qty. | Description | Material |
|-------------|------|-------------------------------|---------------------------------------|
| 73-1 | 1 | Operating Nut | Bronze ASTM B763 UNS C86500 |
| 73-2-1 | 2 | Cover O-Ring | Buna N |
| 73-2-2 | 2 | Housing O-Ring | Buna N |
| 73-4-4 | 1 | Thrust Washer | Nylatron |
| 73-5-3 | 1 | Pipe Plug | Stainless Steel |
| 73-7-7 | 1 | Weather Cover | Gray Iron ASTM A126 Class B |
| 73-9 | 1 | Housing Cover | Gray Iron ASTM A126 Class B |
| 73-11-2 | 4 | Cover Cap Screws | See Note 3 |
| 73-13 | 1 | Cover Gasket | Fiber |
| 73-14 | 1 | Housing Gasket | EPDM Rubber |
| 73-15 | 1 | Housing | Ductile Iron ASTM A536 Grade 65-45-12 |
| 73-16 | 6 | Housing Bolts & Nuts | See Note 3 |
| 73-18-60 | 1 | Upper Barrel | Ductile Iron ASTM A536 Grade 65-45-12 |
| 73-19-SR | 1 | Lower Barrel | Ductile Iron AWWA C151 Grade 60-42-10 |
| 73-20-60 | 2 | Hose Nozzle | Bronze ASTM B763 UNS C87600 |
| 73-20-61 | 2 | Hose Nozzle Seal | Buna N |
| 73-20-62 | 2 | Hose Nozzle Retainer | Ductile Iron ASTM A536 Grade 65-45-12 |
| 73-20-63 | 2 | Hose Nozzle Retainer Washer | Teflon |
| 73-21 | 2 | Hose Cap | *See Below |
| 73-22 | 2 | Hose Cap Gasket | Rubber |
| 73-23-1 | 2 | Hose Cap Chain with S-Hook | Steel |
| 73-23-2 | 3 | S-Hook | Steel |
| 73-23-18 | 1 | Pumper Cap Chain with S-Hook | Steel |
| 73-25-60 | 1 | Pumper Nozzle | Bronze ASTM B763 UNS C86700 |
| 73-25-60-ST | 1 | Storz Nozzle | Bronze/Aluminum |
| 73-25-61 | 1 | Pumper Nozzle Seal | Buna N |
| 73-25-62 | 1 | Pumper Nozzle Retainer | Ductile Iron ASTM A536 Grade 65-45-12 |
| 73-25-63 | 1 | Pumper Nozzle Retainer Washer | Teflon |
| 73-26 | 1 | Pumper Cap | *See Below |
| 73-26-ST | 1 | Storz Nozzle Cap | Aluminum |
| 73-27 | 1 | Pumper Cap Gasket | Rubber |
| 73-27-ST | 1 | Storz Cap Gasket | Rubber |
| 73-29-13 | 1 | Barrel Flange | Ductile Iron ASTM A536 Grade 65-45-12 |
| 73-29-13B | 1 | Base Flange | Ductile Iron ASTM A536 Grade 65-45-12 |
| 73-29-14 | 2 | Snap Ring | Stainless Steel |
| 73-29-30 | 1 | Rod Coupling | Gray Iron ASTM A126 Class B |
| 73-29-31 | 2 | Rod Coupling Pin & Clip Pin | Stainless Steel |
| 73-29-45 | 1 | Breakable Flange | Gray Iron ASTM A126 Class B |
| 73-30-03 | 1 | Hydrant Spring | Stainless Steel |

| Ref. No. | Qty. | Description | Material |
|-----------|------|--------------------------------|--|
| 73-30-04 | 1 | Spring Plate | Stainless Steel |
| 73-30-06 | 1 | Travel Stop Nut | Bronze ASTM B283 UNS C37700 |
| 73-30-07 | 1 | Spring Plate Pin | Stainless Steel |
| 73-30-11 | 1 | Upper Rod | Steel |
| 73-30-12 | 1 | Lower Rod | Steel |
| 73-31 | 1 | Drain Lever | Bronze ASTM B584 UNS C92200 |
| 73-35-02 | 1 | Hydrant Seat | Bronze ASTM B584 UNS C92200 |
| 73-36-1 | 2 | Seat O-Ring | Buna N |
| 73-37 | 1 | Drain Ring | Bronze ASTM B763 UNS C87600 |
| 73-38 | 2 | Drain Ring Gasket | Composition Rubber |
| 73-38-1 | 1 | Barrel Gasket | EPDM Rubber |
| 73-39 | 8 | Base Bolts & Nuts | 0304 Stainless Steel |
| 73-39-9 | 8 | Barrel Bolts & Nuts | See Note 3 |
| 73-40 | 1 | Valve Top | Ductile Iron ASTM A536 Grade 65-45-12 |
| 73-40-4 | 1 | Valve Top Clevis & Clip Pin | Stainless Steel |
| 73-41 | 1 | Hydrant Valve | EPDM Rubber |
| 73-42 | 1 | Valve Bottom | Ductile Iron ASTM A536 Grade 65-45-12 |
| 73-46-6AX | 1 | ALPHA™ XL Restraint Joint Base | Ductile Iron ASTM A536 Grade 65-45-12 |
| 73-144 | 1 | Weather Shield | Rubber |
| 73-145 | 1 | Rod Sleeve | Bronze |
| 73-146 | 2 | Rod Sleeve O-Ring | Buna N |
| 84-189 | 1 | Gasket Assy (ALPHA XL) | NBR or SBR Rubber, ASTM D2000 Stainless Steel, Type 304 |
| 84-190 | 6 | Gripper (ALPHA) | Ductile Iron, ASTM A536 Grade 65-45-12 |
| 84-191 | 1 | End Ring (ALPHA) | Ductile Iron, ASTM A536 Grade 65-45-12 |
| 84-192 | 6 | Ramp Runner (ALPHA) | Nylon |
| 84-193 | 1 | Bolt Guide (ALPHA) | Ductile Iron, ASTM A536 Grade 65-45-12 |
| 84-194 | 1 | T-Head Bolt (ALPHA) | Stainless Steel, Type 304 |
| 84-195 | 1 | Coupling Nut (ALPHA) | Stainless Steel, Type 304 |
| 84-196 | 1 | Washer (ALPHA) | Stainless Steel, Type 304 |

Hydrants are furnished as "Draining" unless optional "Non-Draining" Configuration is otherwise noted below.

Optional "Non-Draining" Configuration required
 Open Direction Left(C.C.W.) Right(C.W.)



AMERICAN
FLOW CONTROL

THE RIGHT WAY

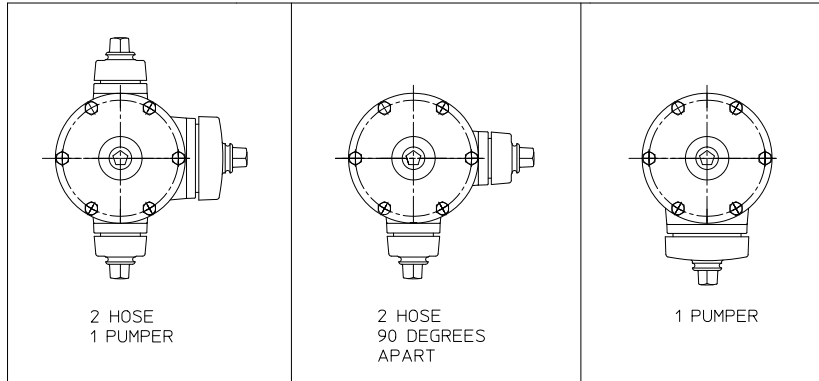
AMERICAN Flow Control
 P.O. Box 2727
 Birmingham, Al. 35202-2727
 Phone: 800-326-8051
 Fax: 800-610-3569
 Email: afcsales@american-usa.com

Waterous Company
 125 Hardman Avenue South
 South St. Paul, Mn. 55075-1191
 Phone: 888-266-3686
 Fax: 800-601-2809
 Email: afcsales@american-usa.com

*National Standard and other common cap configurations are constructed of ASTM A536 Grade 65-45-12 ductile iron. Other offerings may be constructed of ASTM A126 Class B gray cast iron.

Available Bases

AVAILABLE NOZZLE ARRANGEMENTS



91-21350



AMERICAN
FLOW CONTROL

THE RIGHT WAY

AMERICAN Flow Control
P.O. Box 2727
Birmingham, Al. 35202-2727
Phone: 800-326-8051
Fax: 800-610-3569
Email: afcsales@american-usa.com

Waterous Company
125 Hardman Avenue South
South St. Paul, Mn. 55075-1191
Phone: 888-266-3686
Fax: 800-601-2809
Email: afcsales@american-usa.com

WWW.AMERICAN-USA.COM