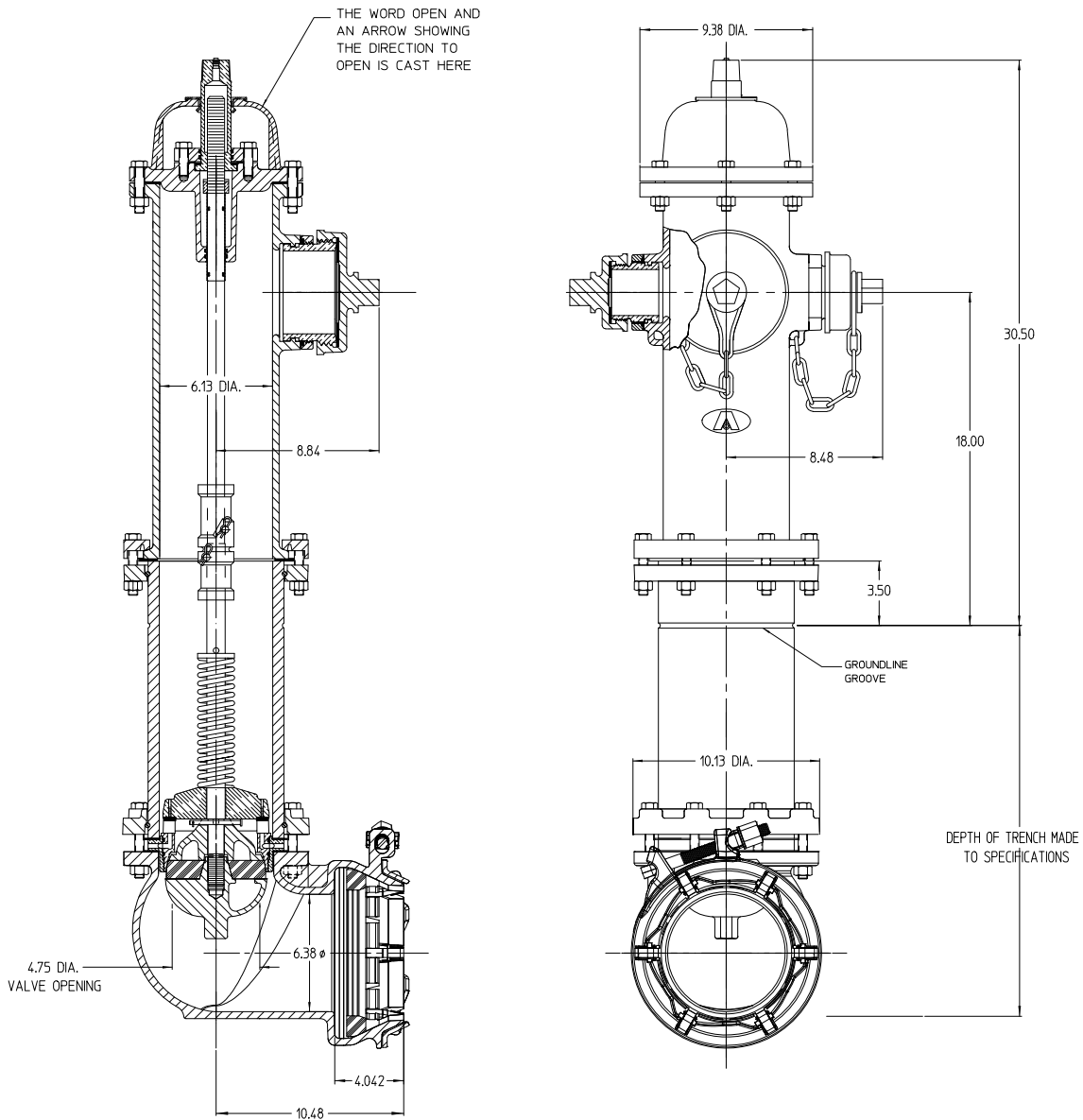


# AMERICAN Flow Control Submittal Information

## 4-1/2 AMERICAN-DARLING® MARK 73-5 TRAFFIC MODEL FIRE HYDRANT WITH ALPHA™ RESTRAINT JOINT



94-21938

ALPHA restraint joints will accommodate the following pipe types and sizes:

### ALPHA

- Ductile iron per AWWA C151
- PVC per ASTM D1785 (Schedule 40 and 80)
- PVC per ASTM D2241 (SDR 21)
- PVC per AWWA C900
- HDPE per AWWA C906 (SDR 9, 11, 13.5, and 17)

Nominal Size (in)	ALPHA OD Range (in)
6	6.60 - 7.00

### NOTES:

1. Size and shape of operating nut and nut on caps, threading on nozzles and caps and the direction of opening made to specifications.
2. Cap chains are not furnished unless specified.
3. Bolts and nuts are rustproof steel ASTM A307 or equivalent, in accordance with AWWA 502
4. Working pressure 250 psig, test pressure 500 psig.
5. Hydrant conforms to AWWA standard C502
6. Valve top, valve bottom and base coated with fusion-bonded epoxy coating in accordance with ANSI/AWWA C550.
7. Certified to NSF/ANSI/CAN 61 and NSF/ANSI/CAN 372.
8. Nominal turns to open is 17-1/2.



**AMERICAN**  
FLOW CONTROL

**THE RIGHT WAY**

AMERICAN Flow Control  
P.O. Box 2727  
Birmingham, Al. 35202-2727  
Phone: 800-326-8051  
Fax: 800-610-3569  
Email: afcsales@american-usa.com

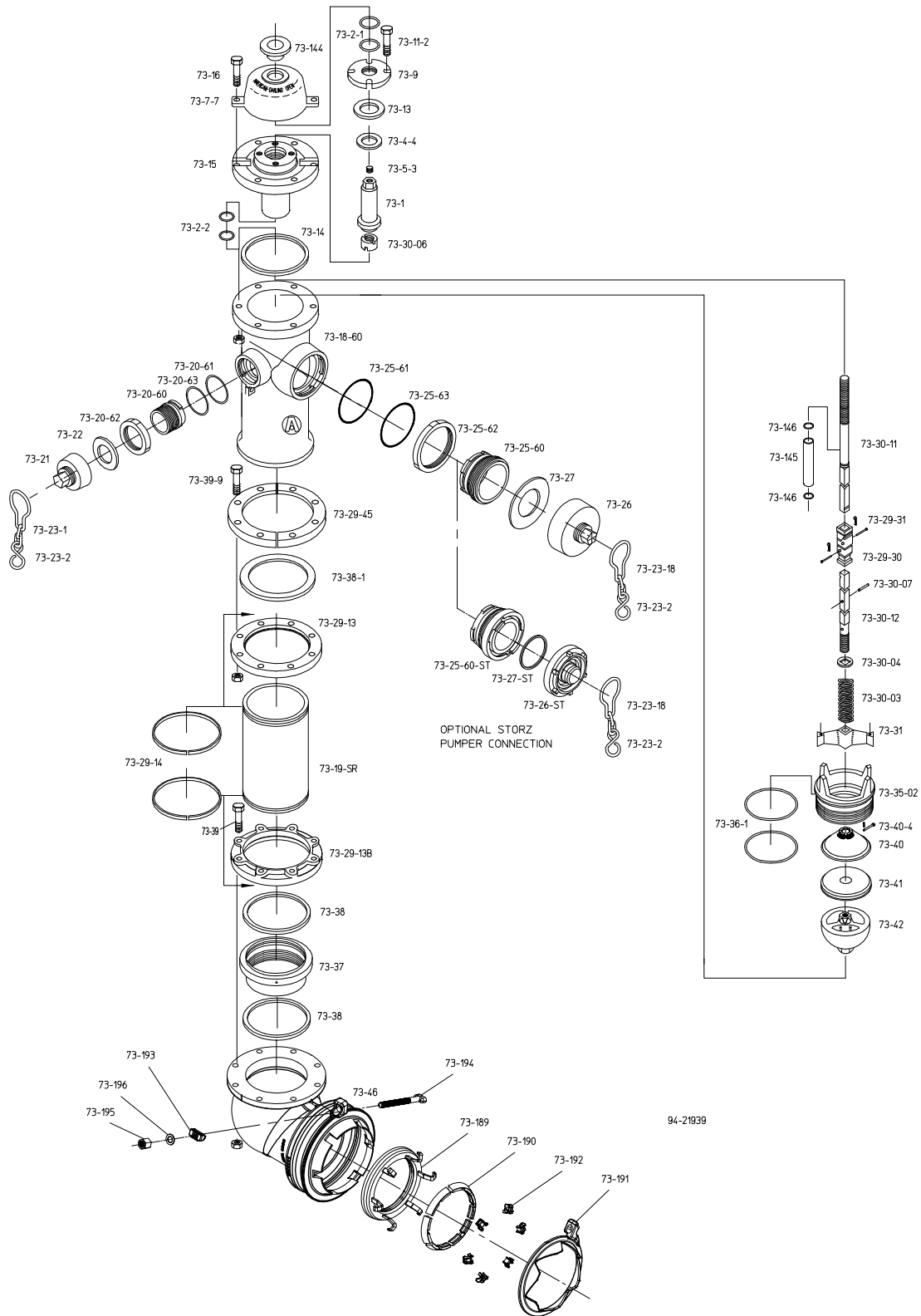
Waterous Company  
125 Hardman Avenue South  
South St. Paul, Mn. 55075-1191  
Phone: 888-266-3686  
Fax: 800-601-2809  
E-mail: afcsales@american-usa.com

[WWW.AMERICAN-USA.COM](http://WWW.AMERICAN-USA.COM)

ALPHA™ is a licensed trademark of Romac Industries, Inc. (U.S. Patent 8,894,100)

FH11077

Issued: 6/14/2023



**AMERICAN**  
FLOW CONTROL

**THE RIGHT WAY**

AMERICAN Flow Control  
P.O. Box 2727  
Birmingham, Al. 35202-2727  
Phone: 800-326-8051  
Fax: 800-610-3569  
Email: afcsales@american-usa.com

Waterous Company  
125 Hardman Avenue South  
South St. Paul, Mn. 55075-1191  
Phone: 888-266-3686  
Fax: 800-601-2809  
Email: afcsales@american-usa.com

[WWW.AMERICAN-USA.COM](http://WWW.AMERICAN-USA.COM)

Ref. No.	Qty.	Description	Material
73-1	1	Operating Nut	Bronze ASTM B763 UNS C86500
73-2-1	2	Cover O-Ring	Buna N
73-2-2	2	Housing O-Ring	Buna N
73-4-4	1	Thrust Washer	Nylatron
73-5-3	1	Pipe Plug	Stainless Steel
73-7-7	1	Weather Cover	Gray Iron ASTM A126 Class B
73-9	1	Housing Cover	Gray Iron ASTM A126 Class B
73-11-2	4	Cover Cap Screws	See Note 3
73-13	1	Cover Gasket	Fiber
73-14	1	Housing Gasket	EPDM Rubber
73-15	1	Housing	Ductile Iron ASTM A536 Grade 65-45-12
73-16	6	Housing Bolts & Nuts	See Note 3
73-18-60	1	Upper Barrel	Ductile Iron ASTM A536 Grade 65-45-12
73-19-SR	1	Lower Barrel	Ductile Iron AWWA C151 Grade 60-42-10
73-20-60	2	Hose Nozzle	Bronze ASTM B763 UNS C87600
73-20-61	2	Hose Nozzle Seal	Buna N
73-20-62	2	Hose Nozzle Retainer	Ductile Iron ASTM A536 Grade 65-45-12
73-20-63	2	Hose Nozzle Retainer Washer	Teflon
73-21	2	Hose Cap	*See Below
73-22	2	Hose Cap Gasket	Rubber
73-23-1	2	Hose Cap Chain with S-Hook	Steel
73-23-2	3	S-Hook	Steel
73-23-18	1	Pumper Cap Chain with S-Hook	Steel
73-25-60	1	Pumper Nozzle	Bronze ASTM B763 UNS C86700
73-25-60-ST	1	Storz Nozzle	Bronze/Aluminum
73-25-61	1	Pumper Nozzle Seal	Buna N
73-25-62	1	Pumper Nozzle Retainer	Ductile Iron ASTM A536 Grade 65-45-12
73-25-63	1	Pumper Nozzle Retainer Washer	Teflon
73-26	1	Pumper Cap	*See Below
73-26-ST	1	Storz Nozzle Cap	Aluminum
73-27	1	Pumper Cap Gasket	Rubber
73-27-ST	1	Storz Cap Gasket	Rubber
73-29-13	1	Barrel Flange	Ductile Iron ASTM A536 Grade 65-45-12
73-29-13B	1	Base Flange	Ductile Iron ASTM A536 Grade 65-45-12
73-29-14	2	Snap Ring	Stainless Steel
73-29-30	1	Rod Coupling	Gray Iron ASTM A126 Class B
73-29-31	2	Rod Coupling Pin & Clip Pin	Stainless Steel
73-29-45	1	Breakable Flange	Gray Iron ASTM A126 Class B
73-30-03	1	Hydrant Spring	Stainless Steel

Ref. No.	Qty.	Description	Material
73-30-04	1	Spring Plate	Stainless Steel
73-30-06	1	Travel Stop Nut	Bronze ASTM B283 UNS C37700
73-30-07	1	Spring Plate Pin	Stainless Steel
73-30-11	1	Upper Rod	Steel
73-30-12	1	Lower Rod	Steel
73-31	1	Drain Lever	Bronze ASTM B584 UNS C92200
73-35-02	1	Hydrant Seat	Bronze ASTM B584 UNS C92200
73-36-1	2	Seat O-Ring	Buna N
73-37	1	Drain Ring	Bronze ASTM B763 UNS C87600
73-38	2	Drain Ring Gasket	Composition Rubber
73-38-1	1	Barrel Gasket	EPDM Rubber
73-39	8	Base Bolts & Nuts	0304 Stainless Steel
73-39-9	8	Barrel Bolts & Nuts	See Note 3
73-40	1	Valve Top	Ductile Iron ASTM A536 Grade 65-45-12
73-40-4	1	Valve Top Clevis & Clip Pin	Stainless Steel
73-41	1	Hydrant Valve	EPDM Rubber
73-42	1	Valve Bottom	Ductile Iron ASTM A536 Grade 65-45-12
73-46-6AA	1	ALPHA™ Restraint Joint Base	Ductile Iron ASTM A536 Grade 65-45-12
73-144	1	Weather Shield	Rubber
73-145	1	Rod Sleeve	Bronze
73-146	2	Rod Sleeve O-Ring	Buna N
73-189	1	Gasket Assy (ALPHA)	NBR or SBR Rubber, ASTM D2000 Stainless Steel, Type 304
73-190	6	Gripper (ALPHA)	Ductile Iron, ASTM A536 Grade 65-45-12
73-191	1	End Ring (ALPHA)	Ductile Iron, ASTM A536 Grade 65-45-12
73-192	6	Ramp Runner (ALPHA)	Nylon
73-193	1	Bolt Guide (ALPHA)	Ductile Iron, ASTM A536 Grade 65-45-12
73-194	1	T-Head Bolt (ALPHA)	Stainless Steel, Type 304
73-195	1	Coupling Nut (ALPHA)	Stainless Steel, Type 304
73-196	1	Washer (ALPHA)	Stainless Steel, Type 304

Hydrants are furnished as "Draining" unless optional "Non-Draining" Configuration is otherwise noted below.

Optional "Non-Draining" Configuration required  
 Open Direction  Left(C.C.W.)  Right(C.W.)



**AMERICAN**  
FLOW CONTROL

**THE RIGHT WAY**

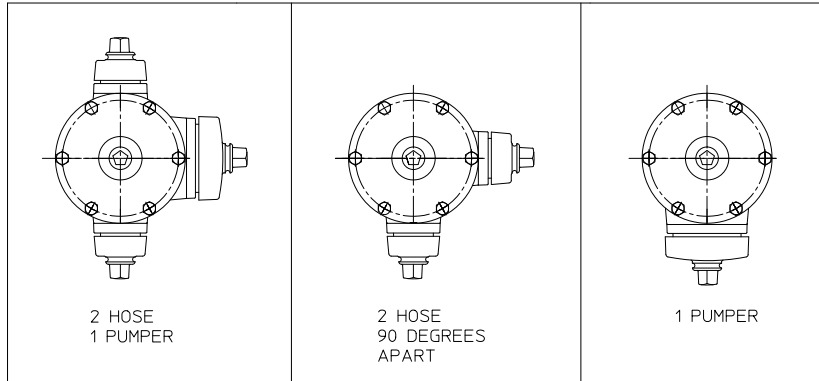
AMERICAN Flow Control  
 P.O. Box 2727  
 Birmingham, Al. 35202-2727  
 Phone: 800-326-8051  
 Fax: 800-610-3569  
 Email: afcsales@american-usa.com

Waterous Company  
 125 Hardman Avenue South  
 South St. Paul, Mn. 55075-1191  
 Phone: 888-266-3686  
 Fax: 800-601-2809  
 Email: afcsales@american-usa.com

\*National Standard and other common cap configurations are constructed of ASTM A536 Grade 65-45-12 ductile iron. Other offerings may be constructed of ASTM A126 Class B gray cast iron.

## Available Bases

### AVAILABLE NOZZLE ARRANGEMENTS



91-21350



**AMERICAN**  
FLOW CONTROL

**THE RIGHT WAY**

AMERICAN Flow Control  
P.O. Box 2727  
Birmingham, Al. 35202-2727  
Phone: 800-326-8051  
Fax: 800-610-3569  
Email: [afcsales@american-usa.com](mailto:afcsales@american-usa.com)

Waterous Company  
125 Hardman Avenue South  
South St. Paul, Mn. 55075-1191  
Phone: 888-266-3686  
Fax: 800-601-2809  
Email: [afcsales@american-usa.com](mailto:afcsales@american-usa.com)

[WWW.AMERICAN-USA.COM](http://WWW.AMERICAN-USA.COM)