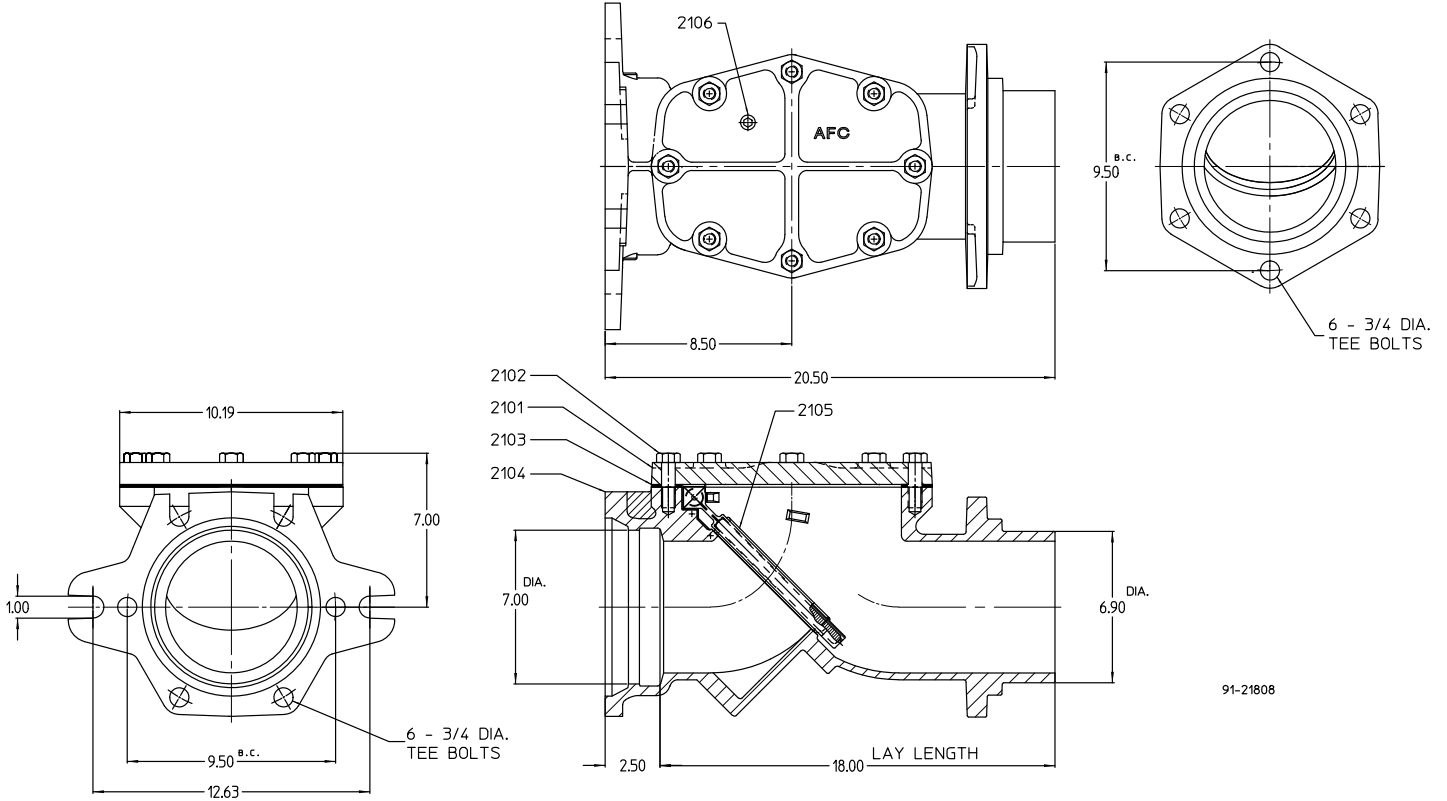


AMERICAN Flow Control Submittal Information

6" SERIES 2100 HYDRANT SECURITY CHECK VALVE



NOTES:

1. Series 2100 Check Valves meet or exceed requirements of ANSI/AWWA C508.
2. 250 psig rated working pressure, 500 psig test pressure.
3. Mechanical joint ends are in accordance with ANSI/AWWA C111/A21.11.
4. Body and bonnet coated with fusion-bonded-epoxy coating in compliance with ANSI/AWWA C550.
5. Valve has manufacturer's name, pressure class and year of manufacture cast on body or bonnet.
6. Disc is ductile iron with stainless steel shaft and nylon reinforcement, all encapsulated with EPDM rubber.
7. Valve is Certified to NSF/ANSI 61 & 372.

Ref. No.	Description	Material
2101	Bonnet	Ductile Iron ASTM A536 Grade 65-45-12
2102	Bonnet Bolts	304 Stainless Steel
2103	Bonnet Gasket	EPDM Rubber
2104	MJ x MJPE End Body	Ductile Iron ASTM A536 Grade 65-45-12
2105	Disc	See Note 6
2106	Pipe Plug, 3/8" NPT	Stainless Steel
2112	Pipe Plug, Square Head	Stainless Steel



AMERICAN
FLOW CONTROL

THE RIGHT WAY

AMERICAN Flow Control
P.O. Box 2727
Birmingham, Al. 35202-2727
Phone: 800-326-8051
Fax: 800-610-3569
Email: afcsales@american-usa.com

Waterous Company
125 Hardman Avenue South
South St. Paul, Mn. 55075-1191
Phone: 888-266-3686
Fax: 800-601-2809
Email: afcsales@american-usa.com

WWW.AMERICAN-USA.COM