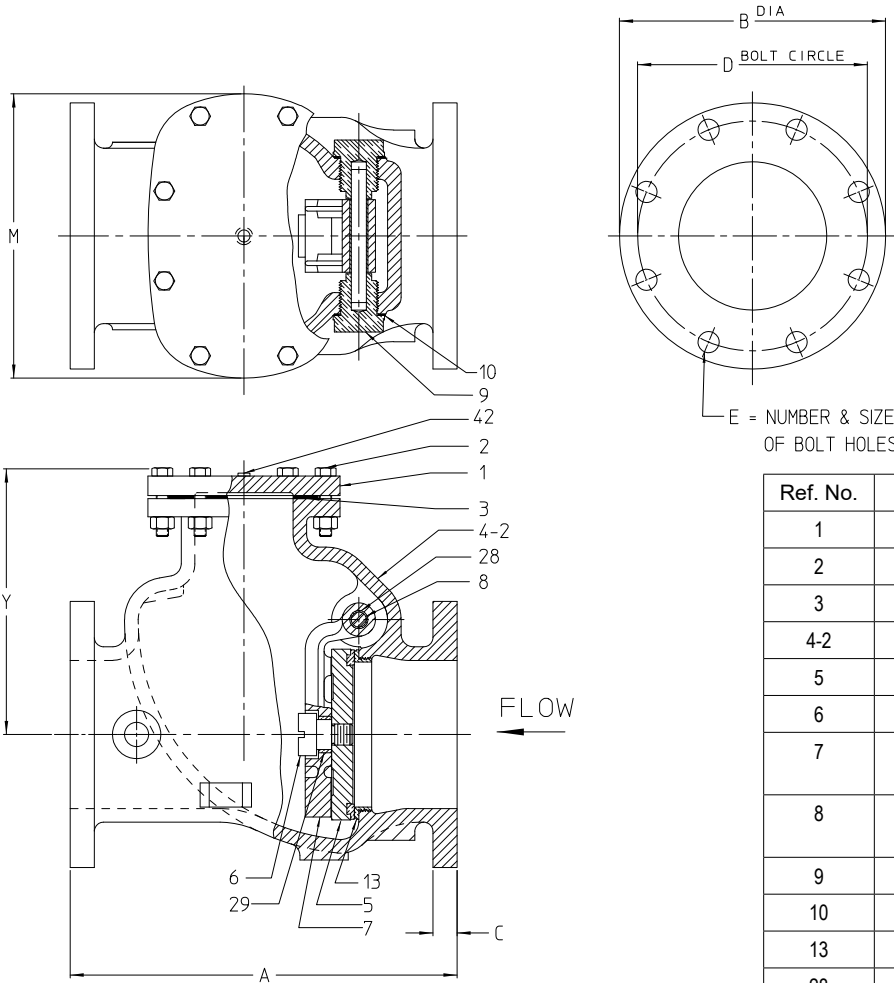


AMERICAN Flow Control Submittal Information

3" - 16" SERIES 52SC STANDARD SWING CHECK VALVE



E = NUMBER & SIZE OF BOLT HOLES

Ref. No.	Description	Material
1	Bonnet	Gray iron ASTM A126 Class B
2	Bonnet Bolts & Nuts	0304 Stainless Steel
3	Bonnet Gasket	Composition Rubber
4-2	Flanged Ends Case	Gray Iron ASTM A126 Class B
5	Disc	See Note 5
6	Disc Stud	Bronze
7	Clapper Arm	Ductile Iron ASTM A536 Grade 65-45-12
8	Clapper Arm Shaft	Stainless Steel ASTM A582 Type 416
9	Retainer Plug	Bronze ASTM B763 UNS C86700
10	Retainer Plug Gasket	Composition Rubber
13	Seat Ring	Bronze ASTM B584 UNS C92200
28	Shaft Bushing	See Note 6
29	Disc Stud Bushing	Bronze
42	Pipe Plug	0304 Stainless Steel

91-21437

Size	3	4	6	8	10	12	14	16
A	11.00	13.00	16.00	19.50	24.50	27.50	31.00	36.00
B	7.50	9.00	11.00	13.50	16.00	19.00	21.00	23.50
C	0.75	0.94	1.00	1.13	1.19	1.25	1.38	1.44
D	6.00	7.50	9.50	11.75	14.25	17.00	18.75	21.25
E	4 - 0.75	8 - 0.75	8 - 0.88	8 - 0.88	12 - 1.00	12 - 1.00	12 - 1.13	16 - 1.13
M	7.88	9.00	11.75	14.25	16.38	18.75	22.50	24.50
Y	7.38	9.00	10.75	12.75	14.75	18.00	20.38	21.75
Weight	61 lbs.	98 lbs.	167 lbs.	274 lbs.	445 lbs.	620 lbs.	1010 lbs.	1180 lbs.

NOTES:

- Construction, materials and testing comply with ANSI/AWWA C508.
- Bolt patterns of class 125 flanged ends are in accordance with ANSI/AWWA C110/A21.10 (ASME B16.1 class 125).
- Valves have manufacturer's name, pressure class and year of manufacture cast on side of case.
- All gray iron is ASTM A126 Class B.
- Discs on 3" is Bronze ASTM B763 UNS C99500. 4" and above are gray iron with bronze face disc. Disc has lug on outside diameter to prevent rotation.
- Shaft bushings for valves 3" through 10" are bronze, 12" through 16" are nylon with molybdenum disulphide uniformly dispersed.
- Working pressure - 3" - 12" - 200 psig. - 14" - 16" - 150 psig.
- Series 52-SC valves are available with the interior and exterior of the valve coated with fusion-bonded epoxy in accordance with ANSI/AWWA C550.
- Certified to NSF/ANSI 61 & 372.



AMERICAN
FLOW CONTROL

THE RIGHT WAY

AMERICAN Flow Control
P.O. Box 2727
Birmingham, Al. 35202-2727
Phone: 800-326-8051
Fax: 800-610-3569
Email: afcsales@american-usa.com

Waterous Company
125 Hardman Avenue South
South St. Paul, Mn. 55075-1191
Phone: 888-266-3686
Fax: 800-601-2809
Email: afcsales@american-usa.com

WWW.AMERICAN-USA.COM