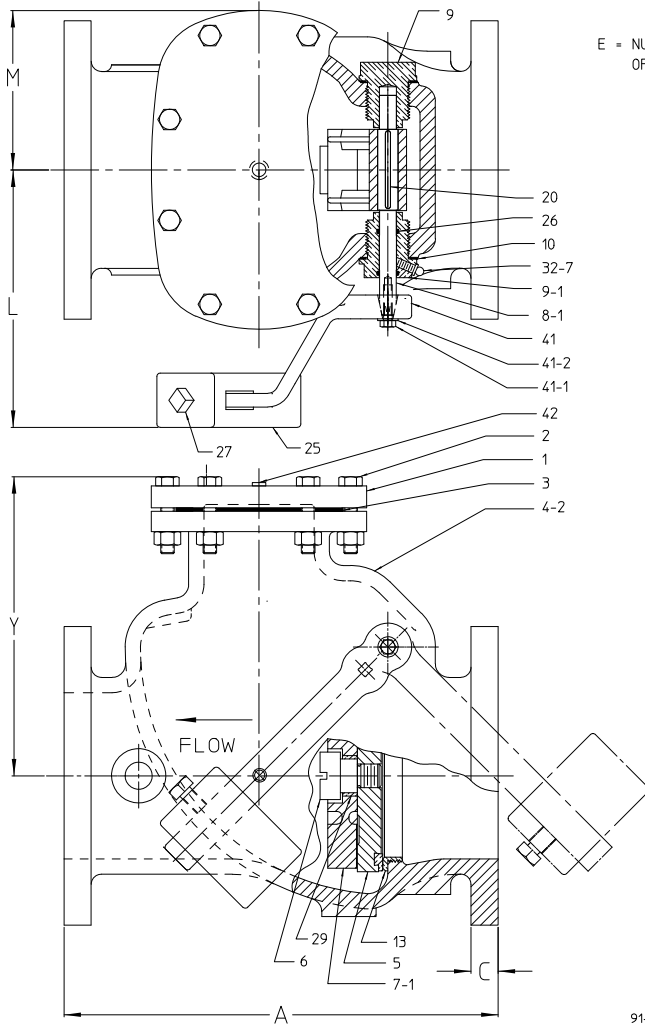
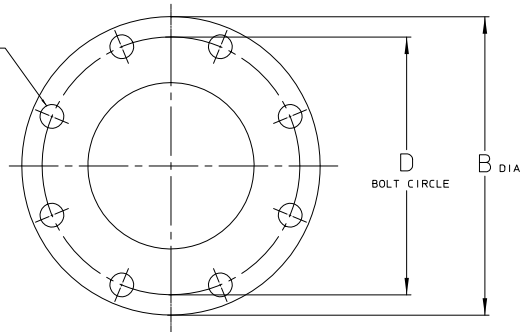


AMERICAN Flow Control Submittal Information

3" - 16" SERIES 52SC LEVER & WEIGHT SWING CHECK VALVE



E = NUMBER & SIZE OF BOLT HOLES



Ref. No.	Description	Material
1	Bonnet	Gray iron ASTM A126 Class B
2	Bonnet Bolts & Nuts	0304 Stainless Steel
3	Bonnet Gasket	Composition Rubber
4-2	Flanged Ends Case	Gray Iron ASTM A126 Class B
5	Disc	See Note 5
6	Disc Stud	Bronze
7-1	Clapper Arm	Ductile Iron ASTM A536 Grade 65-45-12
8-1	Clapper Arm Shaft Assembly	See Note 6
9	Retainer Plug	Bronze ASTM B763 UNS C86700
9-1	Retainer Plug for Lever	Bronze ASTM B763 UNS C86700
10	Retainer Plug Gasket	Composition Rubber
13	Seat Ring	Bronze ASTM B584 UNS C92200
20	Shaft Key	Stainless Steel ASTM A582 Type 416
25	Weight	Gray Iron ASTM A126 Class B
26	O-Ring	Carboxylated Nitrile
27	Weight Set Screw	0304 Stainless Steel
29	Disc Stud Bushing	Bronze
32-7	Grease Fitting	Steel
41	Lever	Ductile Iron ASTM A536 Grade 65-45-12
41-1	Lever Bolt	0304 Stainless Steel
41-2	Lever Washer	0304 Stainless Steel
42	Pipe Plug	0304 Stainless Steel

Size	3	4	6	8	10	12	14	16
A	11.00	13.00	16.00	19.50	24.50	27.50	31.00	36.00
B	7.50	9.00	11.00	13.50	16.00	19.00	21.00	23.50
C	0.75	0.94	1.00	1.13	1.19	1.25	1.38	1.44
D	6.00	7.50	9.50	11.75	14.25	17.00	18.75	21.25
E	4 - 0.75	8 - 0.75	8 - 0.88	8 - 0.88	12 - 1.00	12 - 1.00	12 - 1.13	16 - 1.13
L	5.85	6.57	9.43	10.66	12.35	13.01	15.56	16.96
M	3.94	4.50	5.88	7.13	8.19	9.38	11.25	12.25
Y	7.38	9.00	10.75	12.75	14.75	18.00	20.38	21.75
Weight	61 lbs.	98 lbs.	167 lbs.	274 lbs.	445 lbs.	620 lbs.	1010 lbs.	1180 lbs.

NOTES:

- Construction, materials and testing comply with ANSI/AWWA C508.
- Bolt patterns of class 125 flanged ends are in accordance with ANSI/AWWA C110/A21.10 (ASME B16.1 class 125).
- Valves have manufacturer's name, pressure class and year of manufacture cast on side of case.
- All gray iron is ASTM A126 Class B.
- Disc on 3" is Bronze ASTM B763 UNS C99500. 4" and above are gray iron with bronze face disc. Disc has lug on outside diameter to prevent rotation.
- Clapper arm shaft is stainless steel ASTM A582 Type 416.
Assembly includes lever, lever bolt, lever washer and shaft key.
- Lever is furnished on side and position shown unless otherwise specified.
- Working pressure - 3" - 12" - 200 psig. - 14" - 16" - 150 psig.
- Series 52-SC valves are available with the interior and exterior of the valve coated with fusion-bonded epoxy in accordance with ANSI/AWWA C550.
- Certified to NSF/ANSI 61 & 372.



AMERICAN
FLOW CONTROL

THE RIGHT WAY

AMERICAN Flow Control
P.O. Box 2727
Birmingham, Al. 35202-2727
Phone: 800-326-8051
Fax: 800-610-3569
Email: afcsales@american-usa.com

Waterous Company
125 Hardman Avenue South
South St. Paul, Mn. 55075-1191
Phone: 888-266-3686
Fax: 800-601-2809
Email: afcsales@american-usa.com

WWW.AMERICAN-USA.COM