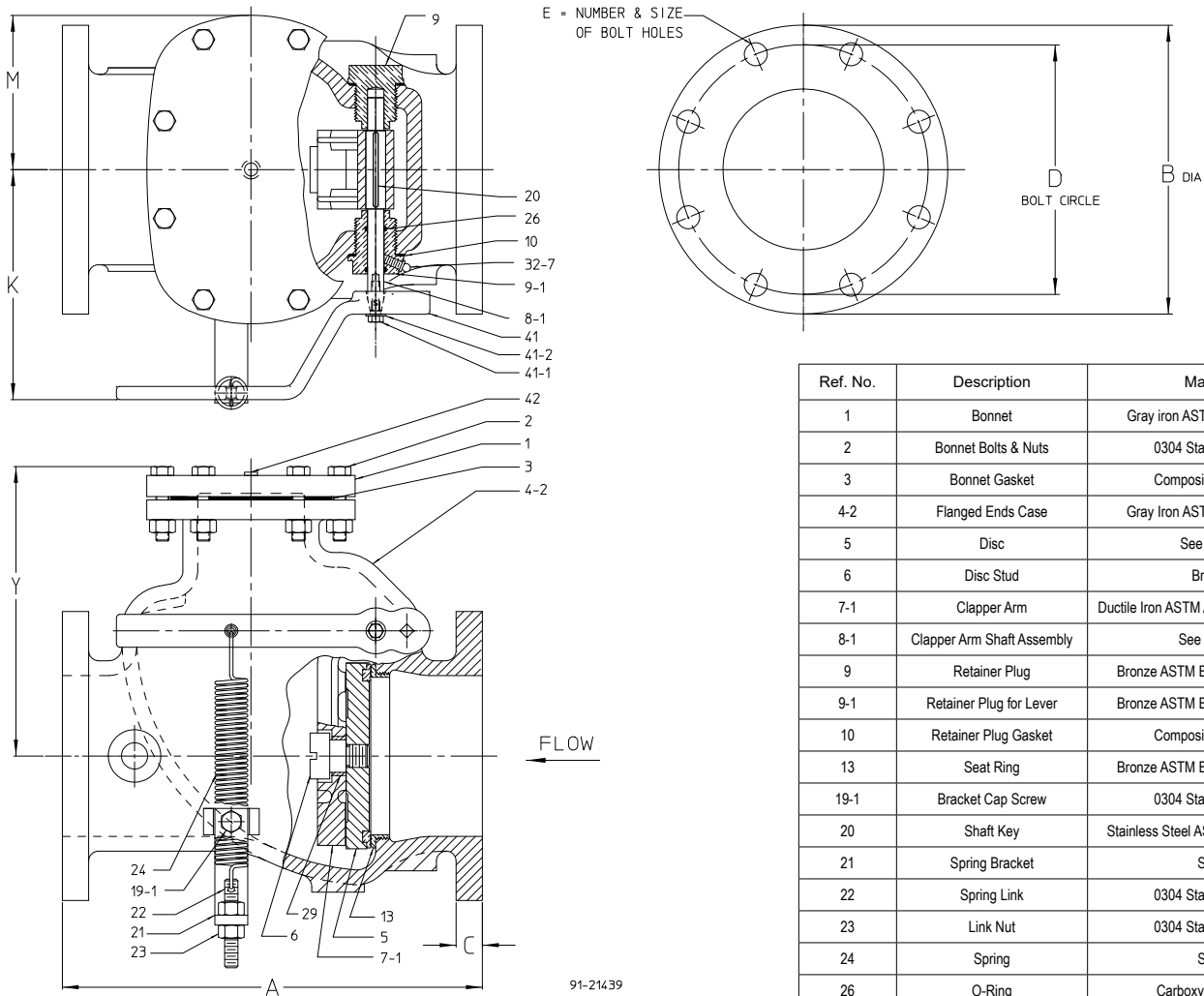


# AMERICAN Flow Control Submittal Information

## 3" - 16" SERIES 52SC LEVER & SPRING SWING CHECK VALVE



Ref. No.	Description	Material
1	Bonnet	Gray iron ASTM A126 Class B
2	Bonnet Bolts & Nuts	0304 Stainless Steel
3	Bonnet Gasket	Composition Rubber
4-2	Flanged Ends Case	Gray Iron ASTM A126 Class B
5	Disc	See Note 5
6	Disc Stud	Bronze
7-1	Clapper Arm	Ductile Iron ASTM A536 Grade 65-45-12
8-1	Clapper Arm Shaft Assembly	See Note 6
9	Retainer Plug	Bronze ASTM B763 UNS C86700
9-1	Retainer Plug for Lever	Bronze ASTM B763 UNS C86700
10	Retainer Plug Gasket	Composition Rubber
13	Seat Ring	Bronze ASTM B584 UNS C92200
19-1	Bracket Cap Screw	0304 Stainless Steel
20	Shaft Key	Stainless Steel ASTM A582 Type 416
21	Spring Bracket	Steel
22	Spring Link	0304 Stainless Steel
23	Link Nut	0304 Stainless Steel
24	Spring	Steel
26	O-Ring	Carboxylated Nitrile
29	Disc Stud Bushing	Bronze
32-7	Grease Fitting	Steel
41	Lever	Ductile Iron ASTM A536 Grade 65-45-12
41-1	Lever Bolt	0304 Stainless Steel
41-2	Lever Washer	0304 Stainless Steel
42	Pipe Plug	0304 Stainless Steel

Size	3	4	6	8	10	12	14	16
A	11.00	13.00	16.00	19.50	24.50	27.50	31.00	36.00
B	7.50	9.00	11.00	13.50	16.00	19.00	21.00	23.50
C	0.75	0.94	1.00	1.13	1.19	1.25	1.38	1.44
D	6.00	7.50	9.50	11.75	14.25	17.00	18.75	21.25
E	4 - 0.75	8 - 0.75	8 - 0.88	8 - 0.88	12 - 1.00	12 - 1.00	12 - 1.13	16 - 1.13
K	5.35	6.06	8.68	9.66	11.16	11.82	13.94	15.33
M	3.94	4.50	5.88	7.13	8.19	9.38	11.25	12.25
Y	7.38	9.00	10.75	12.75	14.75	18.00	20.38	21.75
Weight	63 lbs.	102 lbs.	170 lbs.	288 lbs.	450 lbs.	655 lbs.	1080 lbs.	1250 lbs.

### NOTES:

- Construction, materials and testing comply with ANSI/AWWA C508.
- Bolt patterns of class 125 flanged ends are in accordance with ANSI/AWWA C110/A21.10 (ASME B16.1 class 125).
- Valves have manufacturer's name, pressure class and year of manufacture cast on side of case.
- All gray iron is ASTM A126 Class B.
- Disc on 3" is Bronze ASTM B763 UNS C99500. 4" and above are gray iron with bronze face disc. Disc has lug on outside diameter to prevent rotation.
- Clapper arm shaft is stainless steel ASTM A582 Type 416.  
Assembly includes lever, lever bolt, lever washer and shaft key.
- Lever is furnished on side and position shown unless otherwise specified.
- Working pressure - 3" - 12" - 200 psig. - 14" - 16" - 150 psig.
- Series 52-SC valves are available with the interior and exterior of the valve coated with fusion-bonded epoxy in accordance with ANSI/AWWA C550.
- Certified to NSF/ANSI 61 & 372.



**AMERICAN**  
FLOW CONTROL

**THE RIGHT WAY**

AMERICAN Flow Control  
P.O. Box 2727  
Birmingham, Al. 35202-2727  
Phone: 800-326-8051  
Fax: 800-610-3569  
Email: afcsales@american-usa.com

Waterous Company  
125 Hardman Avenue South  
South St. Paul, Mn. 55075-1191  
Phone: 888-266-3686  
Fax: 800-601-2809  
Email: afcsales@american-usa.com

[WWW.AMERICAN-USA.COM](http://WWW.AMERICAN-USA.COM)