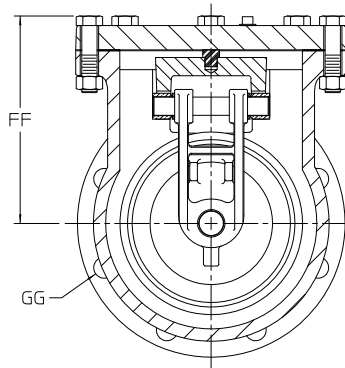
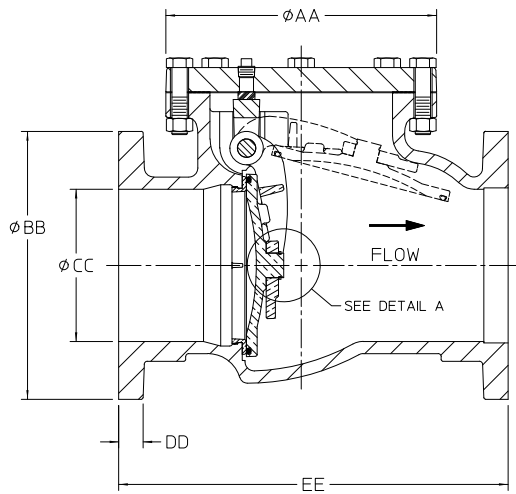
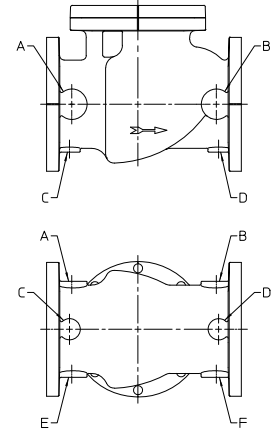


# AMERICAN Flow Control Submittal Information

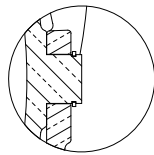
## 3" THRU 12" WATEROUS SERIES 600 SWING CHECK VALVE, UL



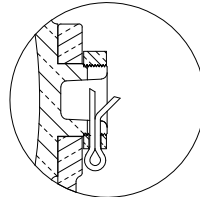
SK830911



LOCATION OF OPTIONAL TAPPED HOLES



RETAINING RING DESIGN  
3" THRU 6" SIZES



LOCKNUT AND COTTER PIN DESIGN  
8" THRU 12" SIZES

DETAIL A

UL Listed  
AWWA

VALVE SIZE	AA	BB	CC	DD	EE	FF	GG		
							HOLES	SIZE	BOLT CIRCLE
3"	8.50	7.50	3.12	.75	11.00	7.12	4	.75	6.00
4"	8.38	9.00	4.12	.94	13.00	6.81	8	.75	7.50
6"	11.12	11.00	6.25	1.00	16.00	8.50	8	.88	9.50
8"	14.00	13.50	8.12	1.12	19.50	10.19	8	.88	11.75
10"	15.25	16.00	10.12	1.19	22.00	12.00	12	1.00	14.25
12"	18.00	19.00	12.12	1.25	26.00	12.38	12	1.00	17.00

VALVE SIZE	MAXIMUM SIZE PIPE TAP	
	A, B, E, F	C, D
3"	3/4 NPT	3/4 NPT
4" (1)	3/4 NPT	3/4 NPT
6"	1-1/4 NPT	3/4 NPT
8"	1-1/2 NPT	1/2 NPT
10"	2 NPT	3/4 NPT
12"	2 NPT	3/4 NPT

(1) All 4" check valves are furnished with a 1/2 NPT tap at location "C".

**NOTES:**

1. UL Listed
2. Series 600 Valves meet or exceed requirements of ANSI/AWWA C508.
3. Series 600 Valves have 175 psig UL rated working pressure.
4. Series 600 Valves have 200 psig AWWA rated working pressure.
5. Flanged ends are in accordance with ANSI/AWWA C110/A21.10 (ASME B16.1, Class 125).
6. Series 600 Valves are available with the interior and exterior of the valve bodies and covers coated with fusion-bonded epoxy in accordance with ANSI/AWWA C550.



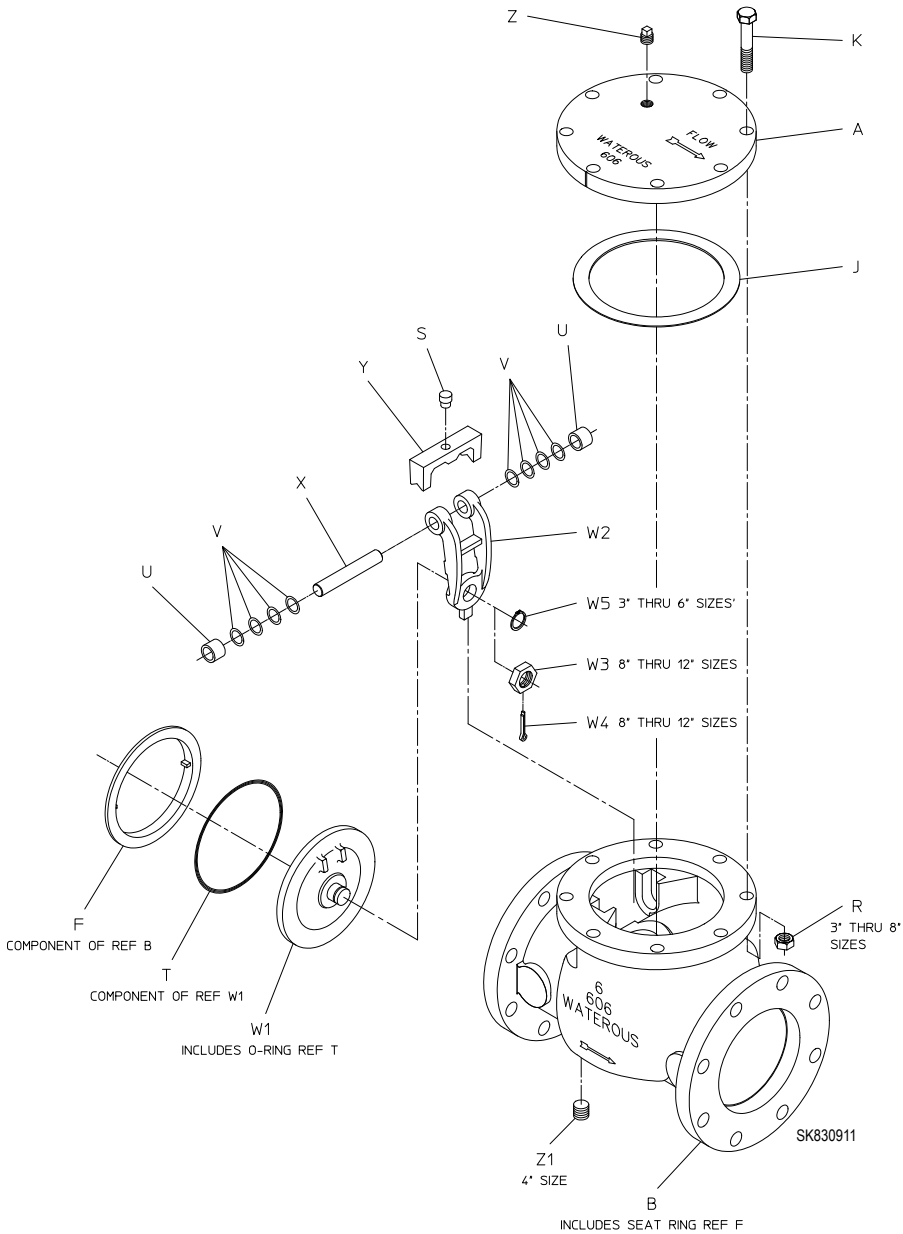
**AMERICAN**  
FLOW CONTROL

**THE RIGHT WAY**

AMERICAN Flow Control  
P.O. Box 2727  
Birmingham, Al. 35202-2727  
Phone: 1-800-326-8051  
Fax: 1-800-610-3569  
E-mail: afcsales@american-usa.com

Waterous Company  
125 Hardman Avenue South  
South St. Paul, Mn. 55075-1191  
Phone: 1-888-266-3686  
Fax: 1-800-601-2809  
E-mail: afcsales@american-usa.com

[WWW.AMERICAN-USA.COM](http://WWW.AMERICAN-USA.COM)



REF	DESCRIPTION	MATERIAL
A	Cover	Cast Iron, ASTM A126, Class B
B	Valve Body	Cast Iron, ASTM A126, Class B
F	Body Seat Ring	Silicon Bronze, ASTM B584, UNS C87600
J	Cover Gasket	Synthetic Fibre with Elastomeric Binder
K	Hex Head Bolt	304 Stainless Steel
R	Hex Nut	304 Stainless Steel
S	Bumper	Nitrile Rubber
T	O-ring	Nitrile Rubber
U	Bushing	Brass, ASTM B16/B16M
V	Shim Washer	Brass, ASTM B16/B16M
W1	Disc	Manganese Bronze, ASTM B584, UNS C86500
W2	Arm	Manganese Bronze, ASTM B584, UNS C86500
W3	Locknut	Manganese Bronze, ASTM B584, UNS C86500
W4	Cotter Pin	Stainless Steel
W5	Snap Ring	Stainless Steel
X	Shaft	Stainless Steel, Type 316
Y	Yoke	Cast Iron, ASTM A126, Class B
Z	Pipe Plug	Stainless Steel
Z1	Pipe Plug	Brass



**AMERICAN**  
FLOW CONTROL

**THE RIGHT WAY**

AMERICAN Flow Control  
P.O. Box 2727  
Birmingham, Al. 35202-2727  
Phone: 1-800-326-8051  
Fax: 1-800-610-3569  
E-mail: afcsales@american-usa.com

Waterous Company  
125 Hardman Avenue South  
South St. Paul, Mn. 55075-1191  
Phone: 1-888-266-3686  
Fax: 1-800-601-2809  
E-mail: afcsales@american-usa.com

[WWW.AMERICAN-USA.COM](http://WWW.AMERICAN-USA.COM)