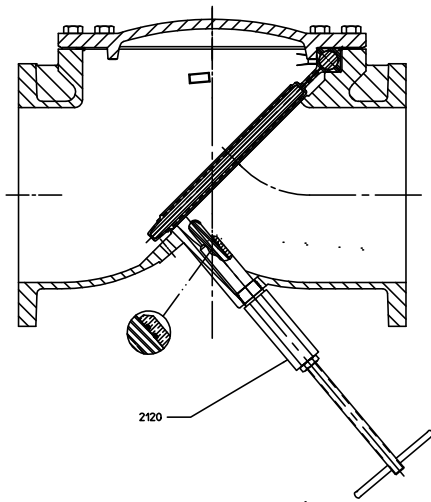
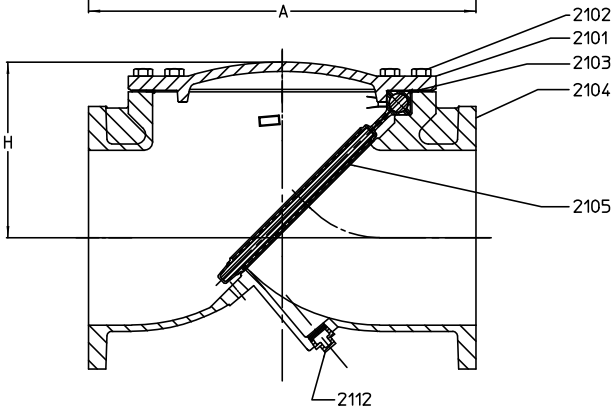
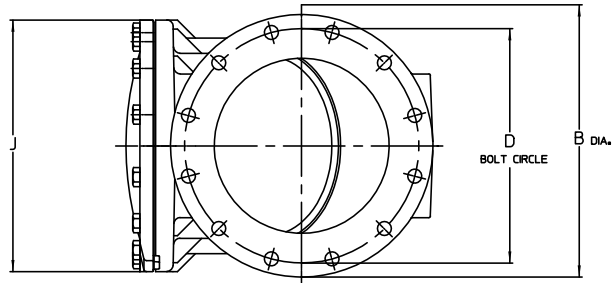
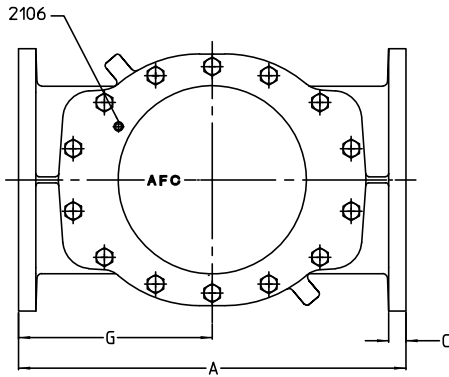


# AMERICAN Flow Control Submittal Information

## 14" - 16" SERIES 2100 RESILIENT SEATED CHECK VALVE



Ref. No.	Description	Material
2101	Bonnet	Ductile Iron ASTM A536 Grade 65-45-12
2102	Bonnet Bolts	304 Stainless Steel
2103	Bonnet Gasket	EPDM Rubber
2104	Flanged Ends Body	Ductile Iron ASTM A536 Grade 65-45-12
2105	Disc	See Note 6
2106	Pipe Plug, 3/8" NPT	Stainless Steel
2112	Pipe Plug, Square Head	Stainless Steel
2120	Backflushing Actuator	Assembly

### NOTES:

- Series 2100 Check Valves meet or exceed requirements of ANSI/AWWA C508.
- 250 psig rated working pressure, 500 psig test pressure.
- Bolt patterns of class 125 flanged ends are in accordance with ANSI/AWWA C110/A21.10 (ASME B16.1 class 125).
- Body and bonnet coated with fusion-bonded-epoxy coating in compliance with ANSI/AWWA C550.
- Valves have manufacturer's name, pressure class and year of manufacture cast on body or bonnet.
- Disc is ductile iron with stainless steel shaft and nylon reinforcement, all encapsulated with EPDM rubber.
- 3"-16" valves are Certified to NSF/ANSI 61 & 372.

Size	14	16
A	31.00	36.00
B	21.00	23.50
C	1.38	1.44
D	18.75	21.25
E	12 - 1.13	16 - 1.13
G	15.50	17.00
H	14.19	15.63
J	20.13	22.88
Weight	558 lbs.	778 lbs.



**AMERICAN**  
FLOW CONTROL

**THE RIGHT WAY**

AMERICAN Flow Control  
P.O. Box 2727  
Birmingham, Al. 35202-2727  
Phone: 800-326-8051  
Fax: 800-610-3569  
Email: afcsales@american-usa.com

Waterous Company  
125 Hardman Avenue South  
South St. Paul, Mn. 55075-1191  
Phone: 888-266-3686  
Fax: 800-601-2809  
Email: afcsales@american-usa.com

[WWW.AMERICAN-USA.COM](http://WWW.AMERICAN-USA.COM)