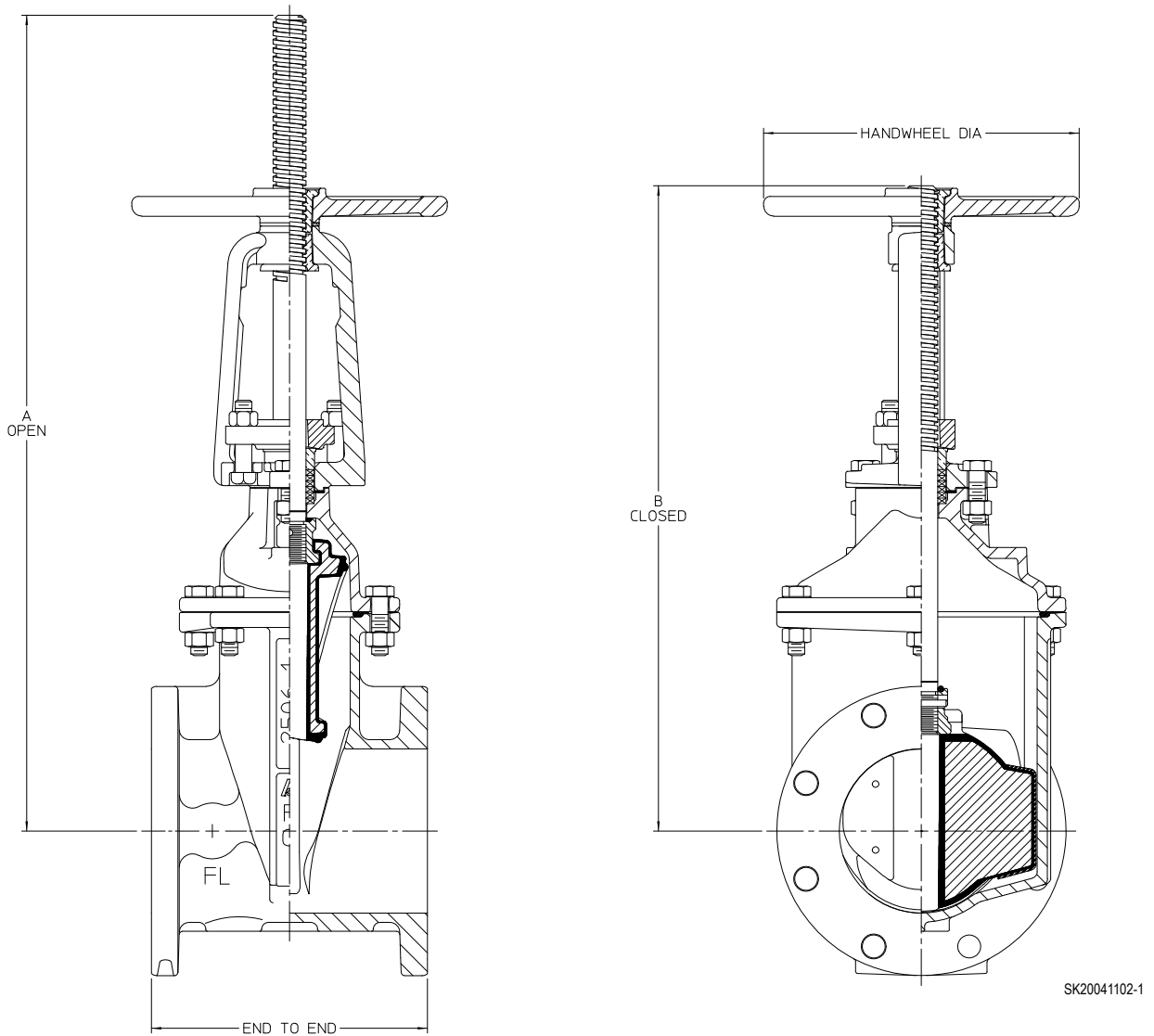


AMERICAN Flow Control Submittal Information

4" - 12" SERIES 2500-1 RESILIENT WEDGE GATE VALVE, OS&Y



DIMENSION	VALVE SIZE				
	4"	6"	8"	10"	12"
A (Valve Open) $\pm 1/4$	23.47	30.97	38.16	48.41	53.28
B (Valve Closed) $\pm 1/4$	19.12	24.59	29.91	38.16	41.41
Handwheel Diameter	10.00	12.00	14.00	16.00	16.00
End to End	9.00	10.50	11.50	13.00	14.00
No. of Turns to Open	14	20	25	31	38



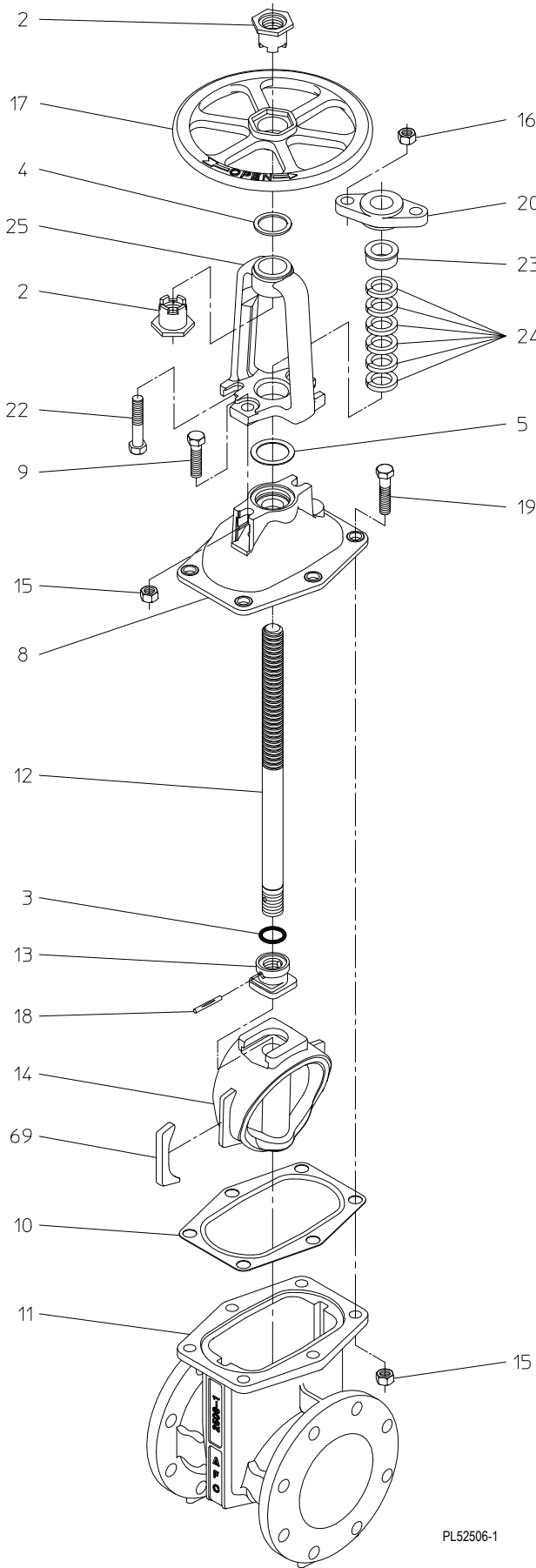
AMERICAN
FLOW CONTROL

THE RIGHT WAY

AMERICAN Flow Control
P.O. Box 2727
Birmingham, Al. 35202-2727
Phone: 1-800-326-8051
Fax: 1-800-610-3569
E-mail: afcsales@american-usa.com

Waterous Company
125 Hardman Avenue South
South St. Paul, Mn. 55075-1191
Phone: 1-888-266-3686
Fax: 1-800-601-2809
E-mail: afcsales@american-usa.com

WWW.AMERICAN-USA.COM



REF NO.	DESCRIPTION	MATERIAL
2	Stem Nut	Forging Brass, ASTM B124, UNS C37700
3	O-Ring	Rubber
4	Handwheel Washer	Brass, ASTM B36, UNS C26000
5	Stuffing Box Gasket	Rubber
8	Bonnet	Ductile Iron, ASTM A536
9	Hex Head Bolt, 5/8-11 x 2"	304 Stainless Steel
10	Bonnet Gasket	Rubber
11	Body	Ductile Iron, ASTM A536
12	Stem	Free Cutting Brass, ASTM B16, UNS C36000
13	Wedge Nut	Ductile Iron, ASTM A536
14	Resilient Wedge	EPDM Rubber Encapsulated Ductile Iron ASTM A536
15	Hex Nut, 5/8-11	304 Stainless Steel
16	Hex Nut, 5/8-11	Brass, ASTM F467, UNS C27000
17	Handwheel	Ductile Iron, ASTM A536
18	Groove Pin	303 Stainless Steel
19	Hex Head Bolt, 5/8-11 x 2-1/4"	304 Stainless Steel
20	Gland Follower	Ductile Iron, ASTM A536
22	Hex Head Bolt, 5/8-11 x 2-3/4"	304 Stainless Steel
23	Gland	Sintered Bronze, Oil Impregnated, ASTM B438, Group 1, Type II
24	Packing Ring	PTFE Impregnated Braided Graphite
25	Yoke	Ductile Iron, ASTM A536
69	Wedge Cover	Acetal Polymer

OPTIONAL MATERIALS ARE AS FOLLOWS

BOLTS and NUTS: 316 Stainless Steel
 STEM: Cast NDZ-S Bronze, ASTM B763, UNS C99500
 STEM: Stainless Steel

Open Direction: Left (C.C.W.) Right (C.W.)

NOTES:

1. Available in configurations that are UL Listed and FM Approved with 250 psig rated working pressure.
2. Meets requirements of ANSI/AWWA C515 with 250 psig rated working pressure.
3. Fusion-bonded epoxy-coated in accordance with ANSI/AWWA C550.
4. Certified to NSF/ANSI 61 & 372.

PL52506-1

Construction shown is typical of the 6-inch size with flanged end connections and is illustrative only. Construction of other sizes and end connection types vary slightly. See elsewhere on this submittal for specific details.



AMERICAN
 FLOW CONTROL

THE RIGHT WAY

AMERICAN Flow Control
 P.O. Box 2727
 Birmingham, Al. 35202-2727
 Phone: 1-800-326-8051
 Fax: 1-800-610-3569
 E-mail: afcsales@american-usa.com

Waterous Company
 125 Hardman Avenue South
 South St. Paul, Mn. 55075-1191
 Phone: 1-888-266-3686
 Fax: 1-800-601-2809
 E-mail: afcsales@american-usa.com

WWW.AMERICAN-USA.COM