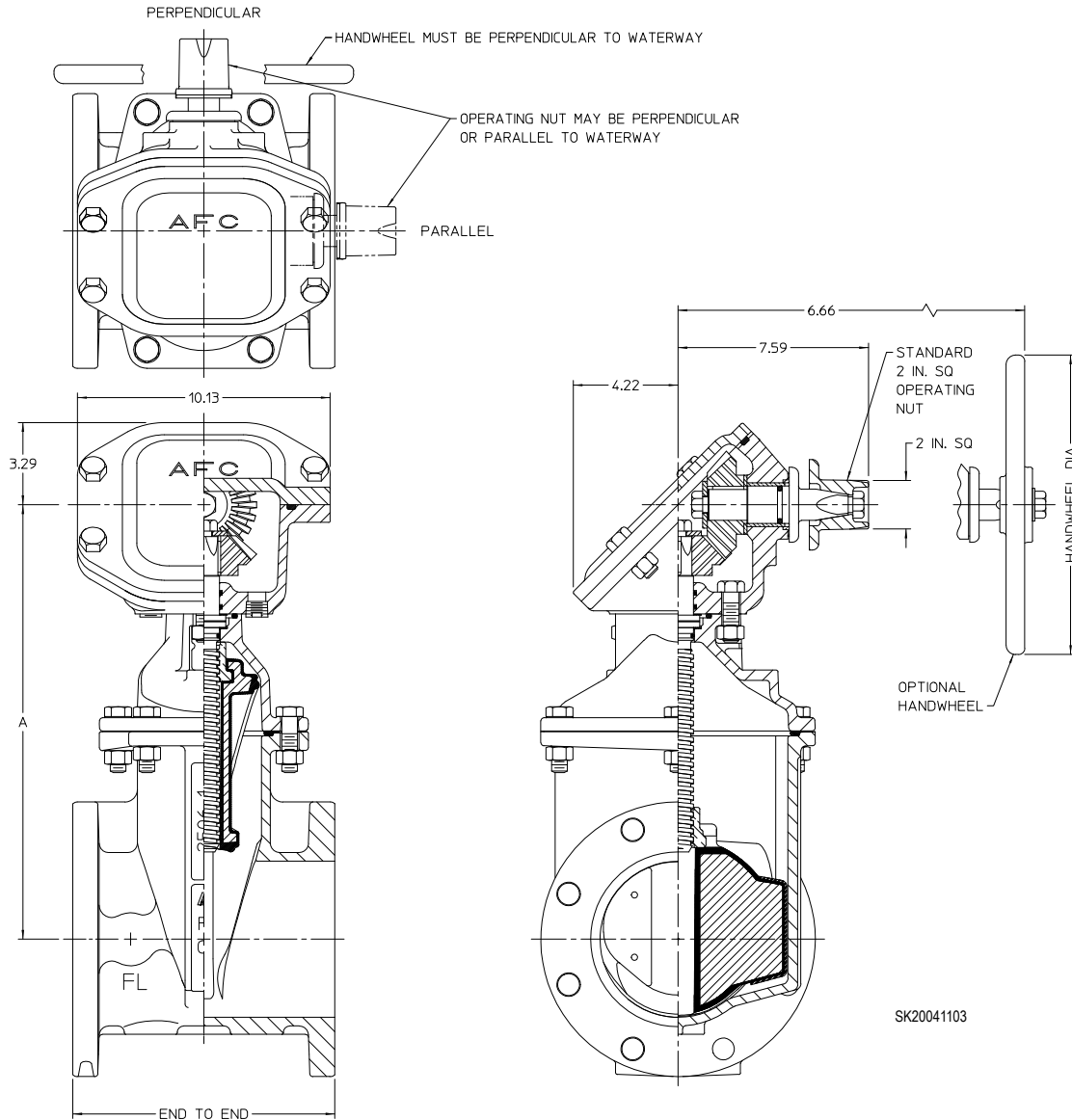


AMERICAN Flow Control Submittal Information

4" - 12" SERIES 2500-1 RESILIENT WEDGE GATE VALVE WITH ENCLOSED A277 MITERGEARING, NRS



VALVE SIZE	DIMENSION		
	A	END TO END FLANGE X FLANGE	HANDWHEEL DIA.
4"	14.16	9.00	10.00
6"	17.03	10.50	12.00
8"	20.59	11.50	14.00
10"	24.22	13.00	14.00
12"	27.66	14.00	14.00



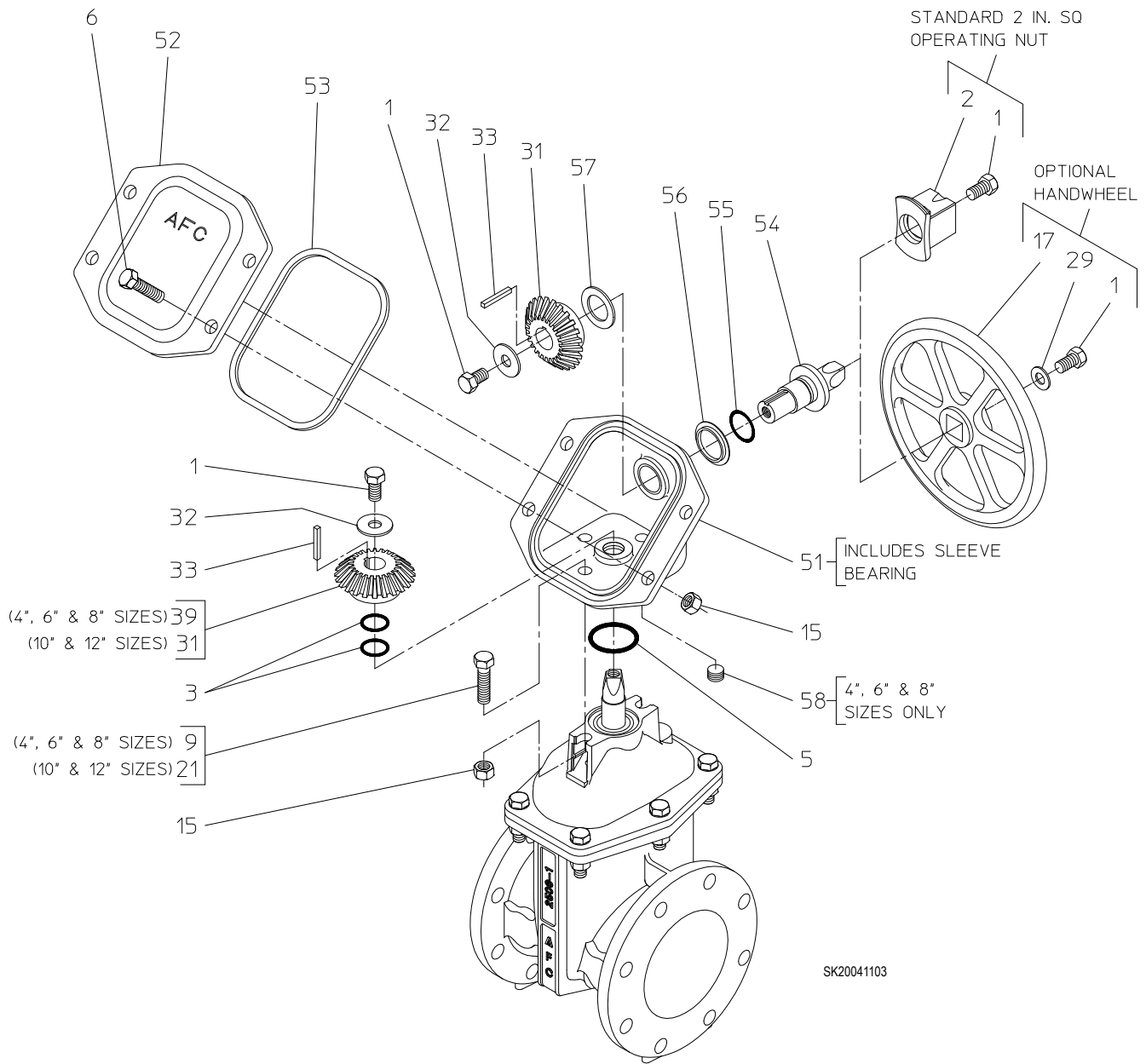
AMERICAN
FLOW CONTROL

THE RIGHT WAY

AMERICAN Flow Control
P.O. Box 2727
Birmingham, Al. 35202-2727
Phone: 1-800-326-8051
Fax: 1-800-610-3569
E-mail: afcsales@american-usa.com

Waterous Company
125 Hardman Avenue South
South St. Paul, Mn. 55075-1191
Phone: 1-888-266-3686
Fax: 1-800-601-2809
E-mail: afcsales@american-usa.com

WWW.AMERICAN-USA.COM



Construction shown is typical of the 6-inch size with flanged end connections and is illustrative only. Construction of other sizes and end connection types vary slightly. See elsewhere on this submittal for specific details.



AMERICAN
FLOW CONTROL

THE RIGHT WAY

AMERICAN Flow Control
P.O. Box 2727
Birmingham, Al. 35202-2727
Phone: 1-800-326-8051
Fax: 1-800-610-3569
E-mail: afcsales@american-usa.com

Waterous Company
125 Hardman Avenue South
South St. Paul, Mn. 55075-1191
Phone: 1-888-266-3686
Fax: 1-800-601-2809
E-mail: afcsales@american-usa.com

WWW.AMERICAN-USA.COM

REF NO.	DESCRIPTION	MATERIAL
1	Hex Head Bolt, 5/8-11 x 1"	304 Stainless Steel
2	Operating Nut, 2" Square	Ductile Iron, ASTM A536
3	O-ring	Rubber
5	Stuffing Box Gasket	Rubber O-ring
6	Hex Head Bolt, 5/8-11 x 1-3/4"	304 Stainless Steel
9	Hex Head Bolt, 5/8-11 x 2"	304 Stainless Steel
15	Hex Nut, 5/8-11	304 Stainless Steel
17	Handwheel	Ductile Iron, ASTM A536
21	Hex Head Bolt, 5/8-11 x 2-1/2"	304 Stainless Steel
29	Flat Washer, 5/8	304 Stainless Steel
31	Miter Gear	Steel, SAE 1020
32	Flat Washer	Aluminum, 2024-T4, ASTM B209M
33	Square Key, 1/4"	Stainless Steel
39	Miter Gear	Steel, SAE 1020
51	Gear Housing Assembly	Ductile Iron, ASTM A536 with a Sintered Bronze Bushing, ASTM B438, Grade 1, Type 2
52	Gear Housing Cover	Ductile Iron, ASTM A536
53	Housing Gasket	Rubber
54	Gear Shaft	Ductile Iron, ASTM A536
55	O-ring	Rubber
56	Thrust Bushing	Sintered Bronze, ASTM B438, Grade 1, Type 2
57	Thrust Washer	Sintered Bronze, ASTM B438, Grade 1, Type 2
58	Headless Pipe Plug, 1/2 NPT	Brass, UNS C27000

OPTIONAL MATERIALS ARE AS FOLLOWS

BOLTS and NUTS: 316 Stainless Steel

Open Direction: Left (C.C.W.) Right (C.W.)

NOTES:

1. Meets requirements of ANSI/AWWA C515 with 250 psig rated working pressure.
2. Fusion-bonded epoxy-coated in accordance with ANSI/AWWA C550.
3. Certified to NSF/ANSI 61 & 372.



AMERICAN
FLOW CONTROL

THE RIGHT WAY

AMERICAN Flow Control
P.O. Box 2727
Birmingham, Al. 35202-2727
Phone: 1-800-326-8051
Fax: 1-800-610-3569
E-mail: afcsales@american-usa.com

Waterous Company
125 Hardman Avenue South
South St. Paul, Mn. 55075-1191
Phone: 1-888-266-3686
Fax: 1-800-601-2809
E-mail: afcsales@american-usa.com

WWW.AMERICAN-USA.COM