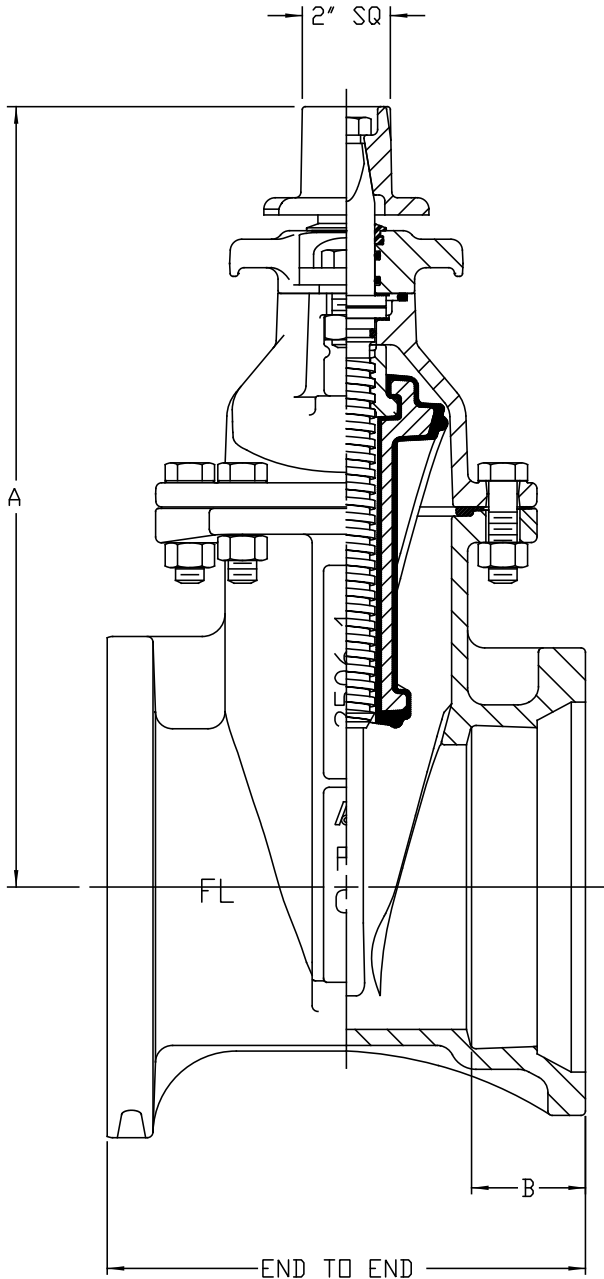
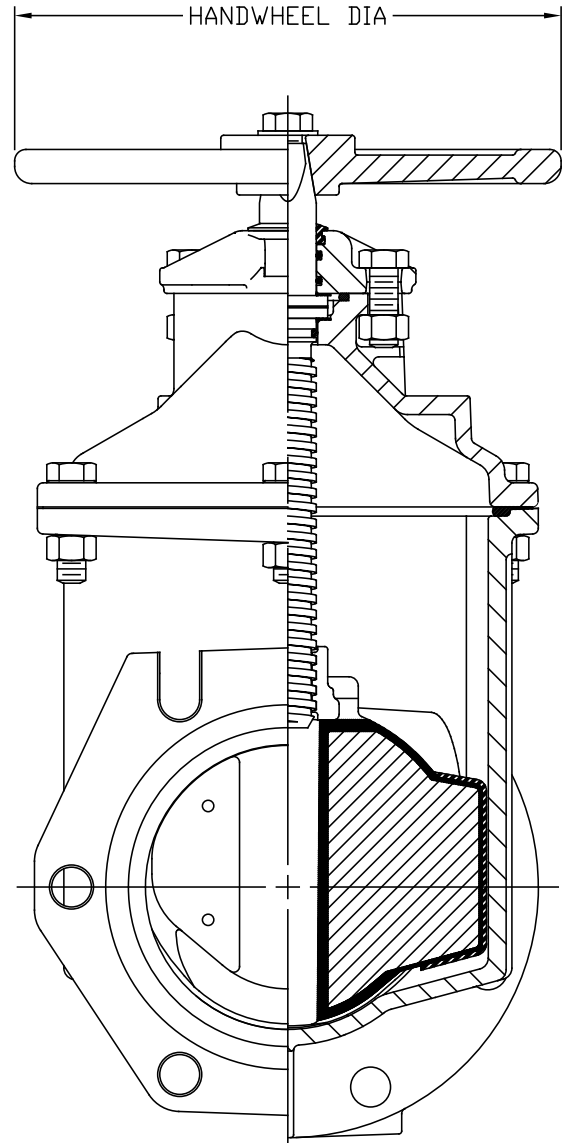


# AMERICAN Flow Control Submittal Information

## 4" - 12" SERIES 2500-1 RESILIENT WEDGE GATE VALVE, NRS WITH FLANGED BY MECHANICAL JOINT ENDS



SHOWN WITH 2" OPERATING NUT



SHOWN WITH OPTIONAL HANDWHEEL

IL4211

DIMENSION	VALVE SIZE				
	4"	6"	8"	10"	12"
End to End - FL/MJ	9.50	10.50	12.38	13.62	14.38
A	13.91	17.12	20.47	24.06	27.59
B	2.50	2.50	2.50	2.50	2.50
Handwheel Diameter	10.00	12.00	14.00	16.00	16.00
No. of Turns to Open	14	20	26	32	38



**AMERICAN**  
FLOW CONTROL

**THE RIGHT WAY**

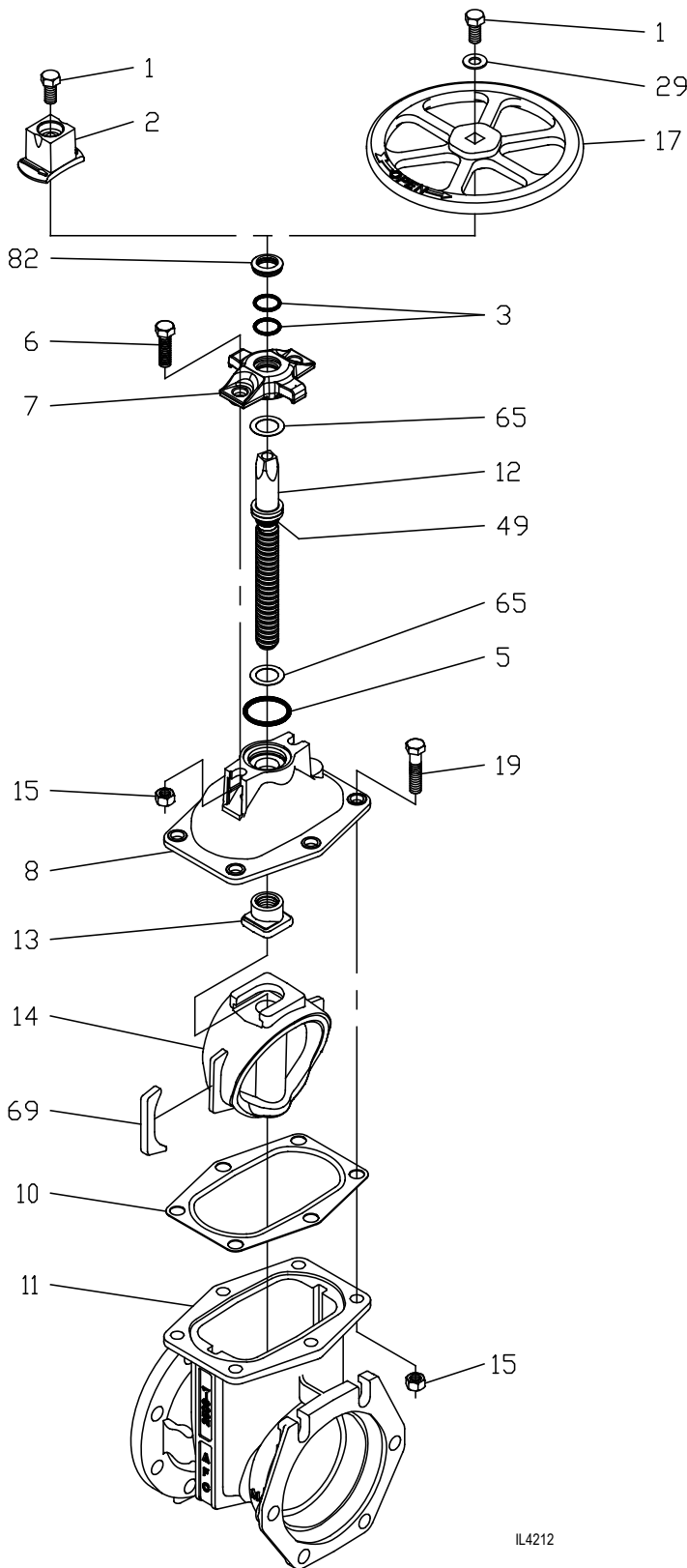
AMERICAN Flow Control  
P.O. Box 2727  
Birmingham, Al. 35202-2727  
Phone: 1-800-326-8051  
Fax: 1-800-610-3569  
E-mail: afcsales@american-usa.com

Waterous Company  
125 Hardman Avenue South  
South St. Paul, Mn. 55075-1191  
Phone: 1-888-266-3686  
Fax: 1-800-601-2809  
E-mail: afcsales@american-usa.com

[WWW.AMERICAN-USA.COM](http://WWW.AMERICAN-USA.COM)

STANDARD 2" OPERATING NUT

OPTIONAL HANDWHEEL



REF NO.	DESCRIPTION	MATERIAL
1	Hex Head Bolt, 5/8-11 x 1"	304 Stainless Steel
2	Operating Nut, 2" Square	Ductile Iron, ASTM A536
3	O-Ring	Rubber
5	Stuffing Box Gasket	Rubber O-ring
6	Hex Head Bolt, 5/8-11 x 1-3/4"	304 Stainless Steel
7	Stuffing Box	Ductile Iron, ASTM A536
8	Bonnet	Ductile Iron, ASTM A536
10	Bonnet Gasket	Rubber
11	Body	Ductile Iron, ASTM A536
12	Stem	Manganese Bronze, ASTM B763, UNS C86700
13	Wedge Nut	Manganese Bronze, ASTM B763, UNS C86700
14	Resilient Wedge	EPDM Rubber Encapsulated Ductile Iron ASTM A536
15	Hex Nut, 5/8-11	304 Stainless Steel
17	Handwheel	Ductile Iron, ASTM A536
19	Hex Head Bolt, 5/8-11 x 2-1/4"	304 Stainless Steel
29	Flat Washer, 5/8	304 Stainless Steel
49	O-Ring	Rubber
65	Thrust Washer	304 Stainless Steel
69	Wedge Cover	Acetal Polymer
82	Debris Seal	Rubber

**OPTIONAL MATERIALS ARE AS FOLLOWS**

BOLTS and NUTS: 316 Stainless Steel  
 STEM: Cast NDZ-S Bronze, ASTM B763, UNS C99500  
 STEM: Stainless Steel  
 WEDGE NUT: Silicon Bronze, ASTM B584, UNS C87600

**NOTES:**

1. Available in configurations that are UL Listed and FM Approved with 250 psig rated working pressure.
2. Meets requirements of ANSI/AWWA C515 with 250 psig rated working pressure.
3. Fusion-bonded epoxy-coated in accordance with ANSI/AWWA C550.
4. Certified to NSF/ANSI/CAN 61 & 372.

Construction shown is typical of the 6-inch size with flanged by mechanical joint end connections and is illustrative only. Construction of other sizes vary slightly.

IL4212



**AMERICAN**  
FLOW CONTROL

**THE RIGHT WAY**

AMERICAN Flow Control  
 P.O. Box 2727  
 Birmingham, Al. 35202-2727  
 Phone: 1-800-326-8051  
 Fax: 1-800-610-3569  
 E-mail: afcsales@american-usa.com

Waterous Company  
 125 Hardman Avenue South  
 South St. Paul, Mn. 55075-1191  
 Phone: 1-888-266-3686  
 Fax: 1-800-601-2809  
 E-mail: afcsales@american-usa.com

[WWW.AMERICAN-USA.COM](http://WWW.AMERICAN-USA.COM)