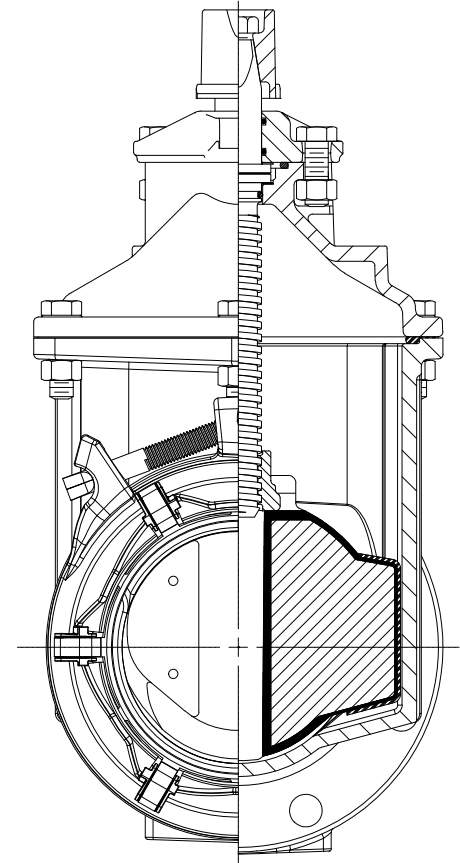
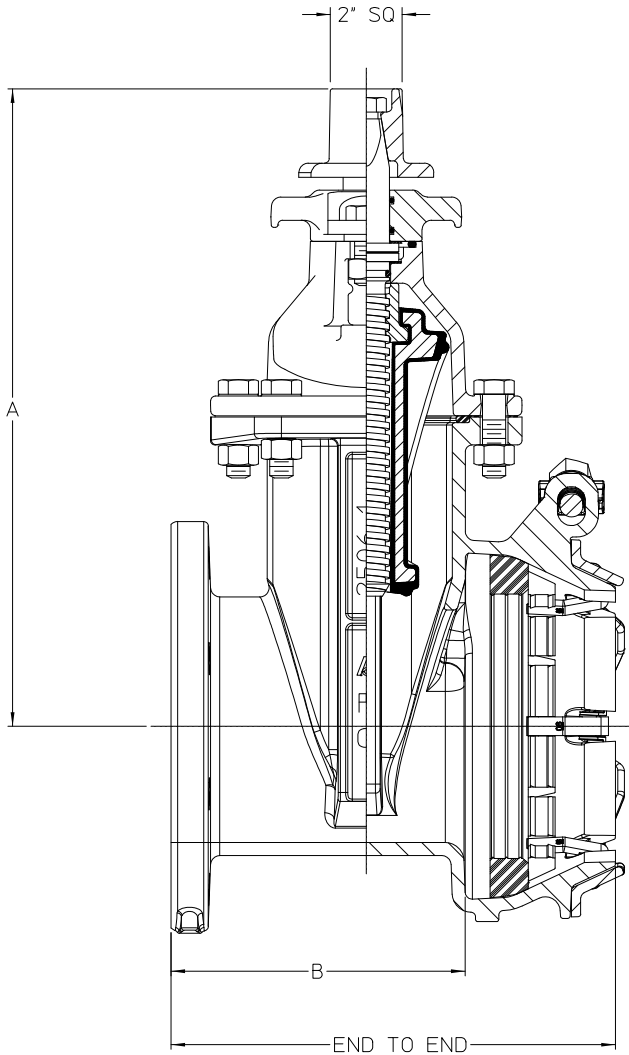


AMERICAN Flow Control Submittal Information

4" - 12" SERIES 2500-1 RESILIENT WEDGE GATE VALVE, NRS, WITH CLASS 125 FLANGED END X ALPHA™ RESTRAINT JOINT



IL4758

ALPHA restraint joints will accommodate the following pipe types and sizes:

ALPHA

- Ductile iron per AWWA C151
- PVC per ASTM D1785 (Schedule 40 and 80)
- PVC per ASTM D2241 (SDR 21)
- PVC per AWWA C900
- HDPE per AWWA C906 (SDR 9, 11, 13.5, and 17)

DIMENSION	VALVE SIZE				
	4"	6"	8"	10"	12"
End to End	10.82	11.95	14.44	15.65	17.14
A	13.91	17.12	20.47	24.06	27.59
B	6.62	7.91	8.93	10.07	11.15
No. of Turns to Open	14	20	26	32	38

Nominal Size (in)	ALPHA OD Range (in)
4	4.50 - 4.90
6	6.60 - 7.00
8	8.60 - 9.10
10	10.75 - 11.20
12	12.75 - 13.30



AMERICAN
FLOW CONTROL

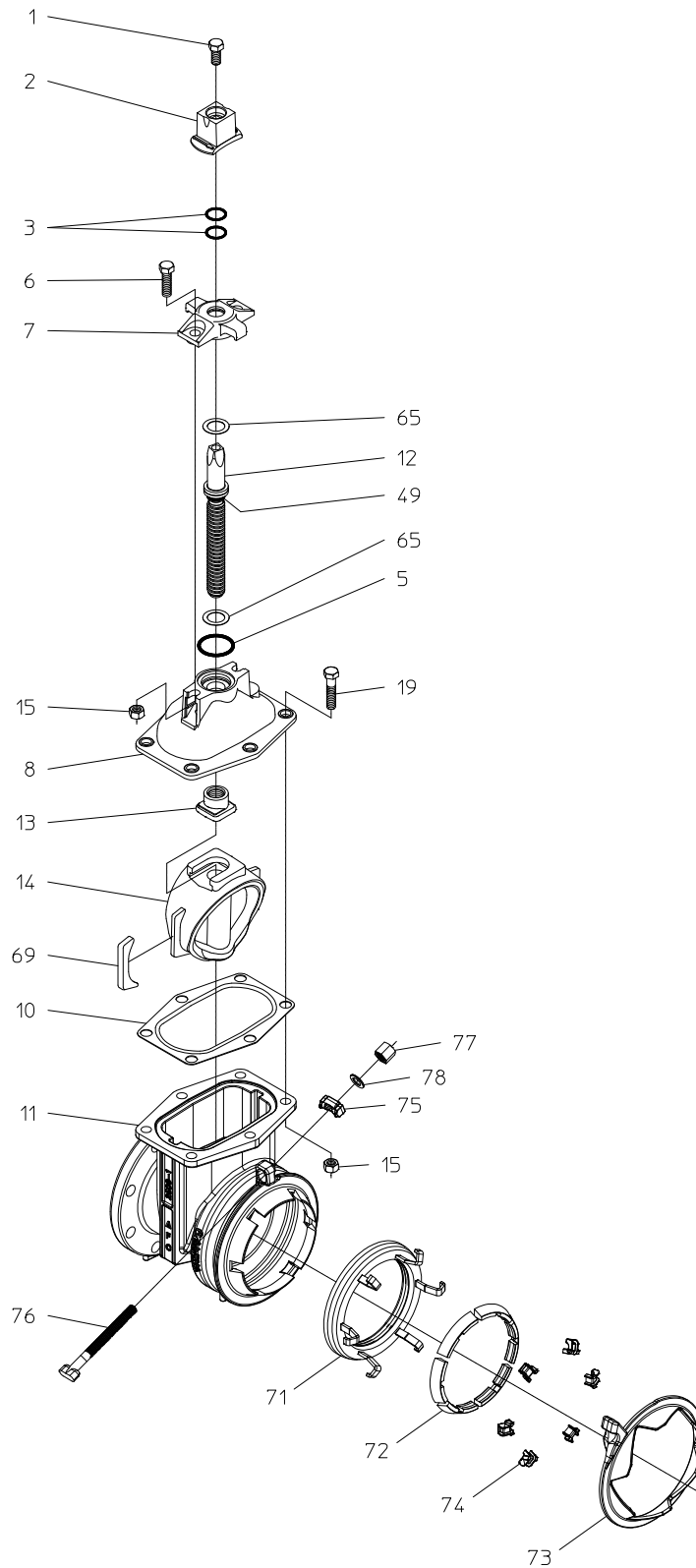
THE RIGHT WAY

AMERICAN Flow Control
P.O. Box 2727
Birmingham, Al. 35202-2727
Phone: 1-800-326-8051
Fax: 1-800-610-3569
E-mail: afcsales@american-usa.com

Waterous Company
125 Hardman Avenue South
South St. Paul, Mn. 55075-1191
Phone: 1-888-266-3686
Fax: 1-800-601-2809
E-mail: afcsales@american-usa.com

ALPHA™ is a licensed trademark of Romac Industries, Inc. (U.S. Patent 8,894,100)

WWW.AMERICAN-USA.COM



IL4759

Construction shown is typical of the 6-inch size and is illustrative only.



AMERICAN
FLOW CONTROL

THE RIGHT WAY

AMERICAN Flow Control
P.O. Box 2727
Birmingham, Al. 35202-2727
Phone: 1-800-326-8051
Fax: 1-800-610-3569
E-mail: afcsales@american-usa.com

Waterous Company
125 Hardman Avenue South
South St. Paul, Mn. 55075-1191
Phone: 1-888-266-3686
Fax: 1-800-601-2809
E-mail: afcsales@american-usa.com

WWW.AMERICAN-USA.COM

REF NO.	DESCRIPTION	MATERIAL
1	Hex Head Bolt, 5/8-11 x 1"	304 Stainless Steel
2	Operating Nut, 2" Square	Ductile Iron, ASTM A536
3	O-Ring	Rubber
5	Stuffing Box Gasket	Rubber O-ring
6	Hex Head Bolt, 5/8-11 x 1-3/4"	304 Stainless Steel
7	Stuffing Box	Ductile Iron, ASTM A536
8	Bonnet	Ductile Iron, ASTM A536
10	Bonnet Gasket	Rubber
11	Body	Ductile Iron, ASTM A536
12	Stem	Manganese Bronze, ASTM B763, UNS C86700
13	Wedge Nut	Manganese Bronze, ASTM B763, UNS C86700
14	Resilient Wedge	EPDM Rubber Encapsulated Ductile Iron ASTM A536
15	Hex Nut, 5/8-11	304 Stainless Steel
19	Hex Head Bolt, 5/8-11 x 2-1/4"	304 Stainless Steel
49	O-Ring	Rubber
65	Thrust Washer	304 Stainless Steel
69	Wedge Cover	Acetal Polymer
71	Gasket Assy (ALPHA)	NBR or SBR Rubber, ASTM D2000 304 Stainless Steel
72	Gripper (ALPHA)	Ductile Iron, ASTM A536
73	End Ring (ALPHA)	Ductile Iron, ASTM A536
74	Ramp Runner (ALPHA)	Nylon
75	Bolt Guide (ALPHA)	Ductile Iron, ASTM A536
76	T-Head Bolt (ALPHA)	304 Stainless Steel
77	Coupling Nut (ALPHA)	304 Stainless Steel
78	Washer (ALPHA)	304 Stainless Steel

OPTIONAL MATERIALS ARE AS FOLLOWS

BOLTS and NUTS: 316 Stainless Steel
STEM: Cast NDZ-S Bronze, ASTM B763, UNS C99500
STEM: Stainless Steel
WEDGE NUT: Silicon Bronze, ASTM B584, UNS C87600

Open Direction: Left (C.C.W.) Right (C.W.)

NOTES:

1. Meets requirements of ANSI/AWWA C515 with 250 psig rated working pressure.
2. Fusion-bonded epoxy-coated in accordance with ANSI/AWWA C550.
3. Certified to NSF/ANSI 61 and 372.
4. Flanged end dimensions per ASME B16.1, Class 125, and AWWA C110.



AMERICAN
FLOW CONTROL

THE RIGHT WAY

AMERICAN Flow Control
P.O. Box 2727
Birmingham, Al. 35202-2727
Phone: 1-800-326-8051
Fax: 1-800-610-3569
E-mail: afcsales@american-usa.com

Waterous Company
125 Hardman Avenue South
South St. Paul, Mn. 55075-1191
Phone: 1-888-266-3686
Fax: 1-800-601-2809
E-mail: afcsales@american-usa.com

WWW.AMERICAN-USA.COM