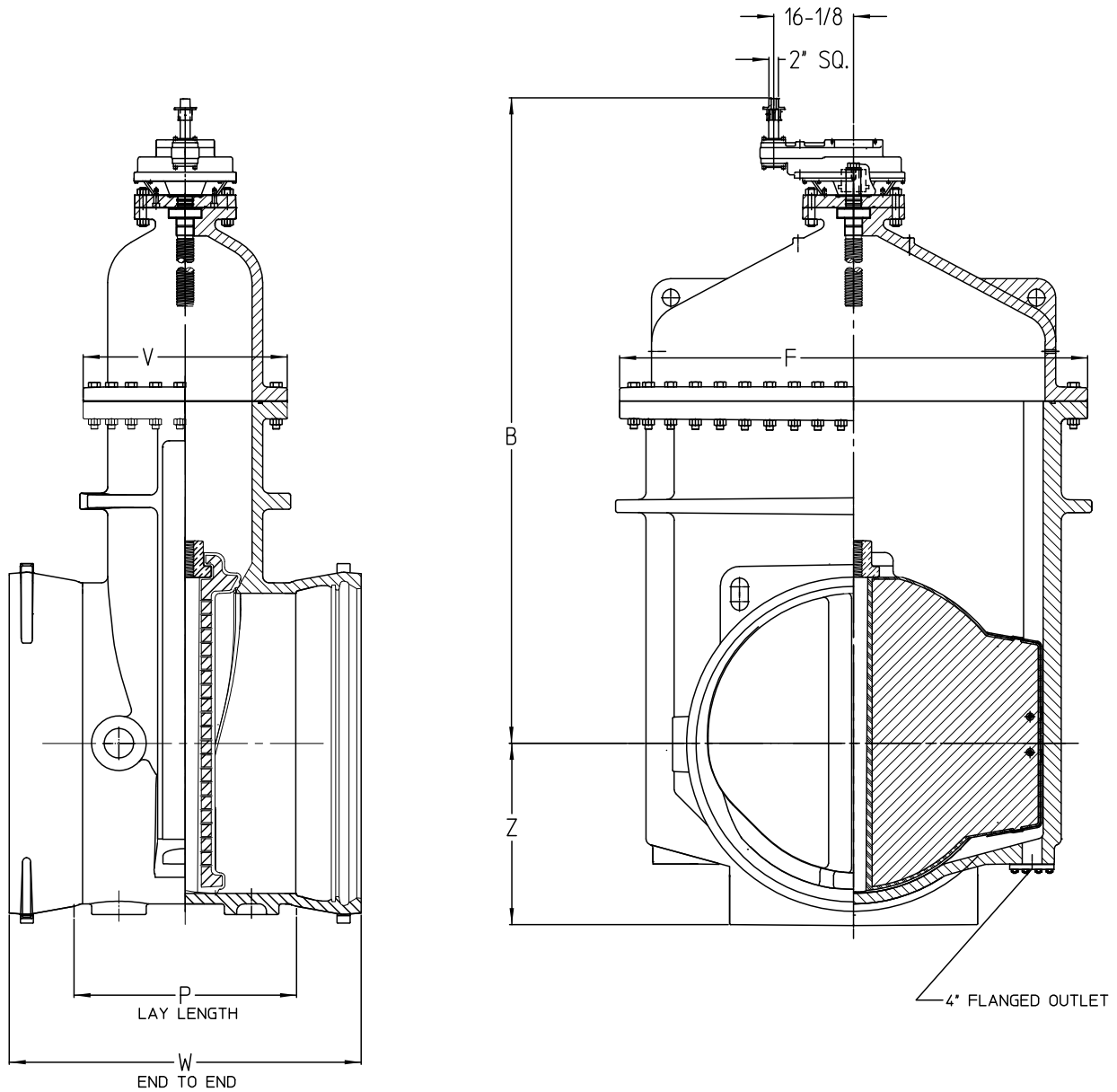


AMERICAN Flow Control Submittal Information

60" SERIES 2500 RESILIENT WEDGE GATE VALVE

NRS AMERICAN Flex-Ring® ENDS WITH SPUR GEAR ACTUATOR (FR X FR)



91-21638

Size	B	F	P	V	W	Z	Actuator	Turns to open	Weight
60	128-5/16	94-3/8	44-7/8	41-3/16	71	34-3/4	Rotork 8:1	984	29, 854

NOTES:

1. End connection is AMERICAN FLEX-RING® Joint.
2. Standard internal and external coating is liquid epoxy and meets requirements of ANSI/AWWA C550.
3. Working pressure is 250 psig.
4. Valve meets requirements of ANSI/AWWA C515 where applicable.
5. Certified to NSF/ANSI 61 & 372.



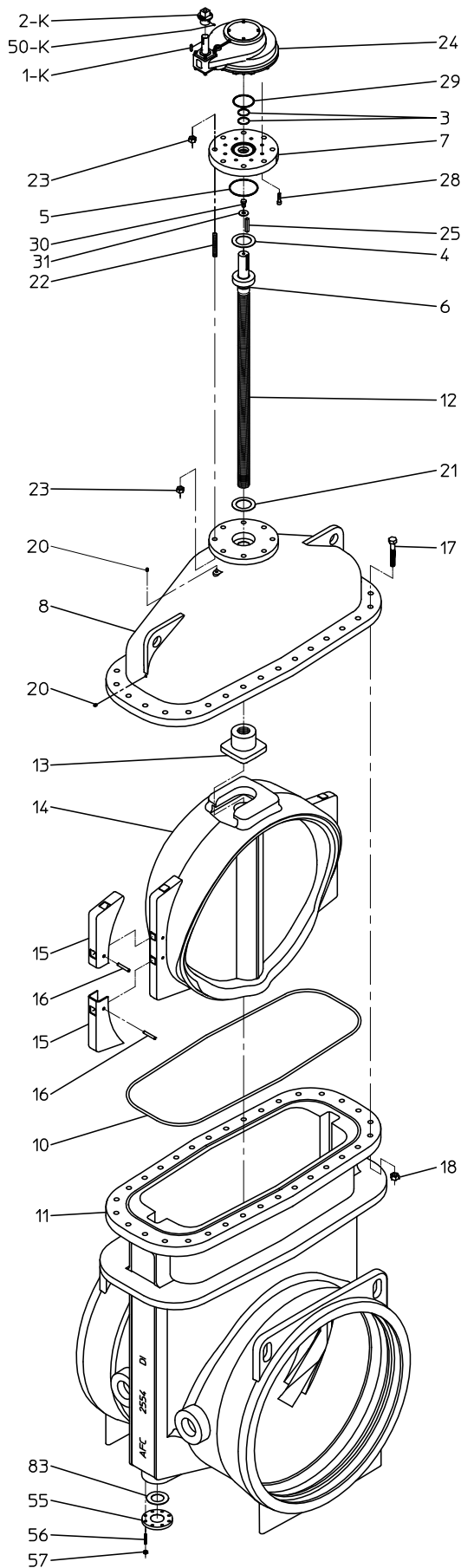
AMERICAN
FLOW CONTROL

THE RIGHT WAY

AMERICAN Flow Control
P.O. Box 2727
Birmingham, Al. 35202-2727
Phone: 800-326-8051
Fax: 800-610-3569
Email: afcsales@american-usa.com

Waterous Company
125 Hardman Avenue South
South St. Paul, Mn. 55075-1191
Phone: 888-266-3686
Fax: 800-601-2809
Email: afcsales@american-usa.com

WWW.AMERICAN-USA.COM



91-21729

Ref. No.	Description	Material
1-K	Key for operating nut	Steel
2-K	Operating Nut	Ductile Iron ASTM A536
3	O-Ring	Rubber
4	Upper Thrust Washer	Delrin
5	Stuffing Box Gasket	Rubber O-Ring
6	O-Ring	Rubber
7	Stuffing Box	Ductile Iron ASTM A536
8	Bonnet	Ductile Iron ASTM A536
10	Throat Flange Gasket	Rubber
11	Valve Body	Ductile Iron ASTM A536
12	Stem	Stainless Steel, 17-4PH, ASTM A 705
13	Wedge Nut	Red Brass, ASTM B62, UNS C83600
14	Resilient Wedge	EPDM Rubber Encapsulated Ductile Iron ASTM A536
15	Wedge Cover	Acetal Polymer
16	Wedge Cover Pin	Acetal Polymer
17	Hex Head Bolt	304 Stainless Steel
18	Hex Nut	304 Stainless Steel
20	Pipe Plug	Stainless Steel
21	Lower Thrust Washer	Delrin
22	Stud	304 Stainless Steel
23	Hex Nut	304 Stainless Steel
24	Spur Gear Actuator	Rotork IS-12 (8:1)
25	Key	Hardened Steel
28	Socket Head Capscrew	0304 Stainless Steel
29	Actuator Gasket	Rubber O-Ring
30	Hex Head Bolt	Zinc Plated Steel
31	Washer	Steel
50-K	Set Screw for Operating Nut	Stainless Steel
55	Blind Flange	Ductile Iron ASTM A536
56	Stud	304 Stainless Steel
57	Hex Nut	304 Stainless Steel
83	Blind Flange Gasket	Rubber

OPTIONAL MATERIALS ARE AS FOLLOWS

BOLTS and NUTS: 316 Stainless Steel

Open Direction Left(C.C.W.) Right(C.W.)



AMERICAN
FLOW CONTROL

THE RIGHT WAY

AMERICAN Flow Control
P.O. Box 2727
Birmingham, Al. 35202-2727
Phone: 800-326-8051
Fax: 800-610-3569
Email: afcsales@american-usa.com

Waterous Company
125 Hardman Avenue South
South St. Paul, Mn. 55075-1191
Phone: 888-266-3686
Fax: 800-601-2809
Email: afcsales@american-usa.com

WWW.AMERICAN-USA.COM