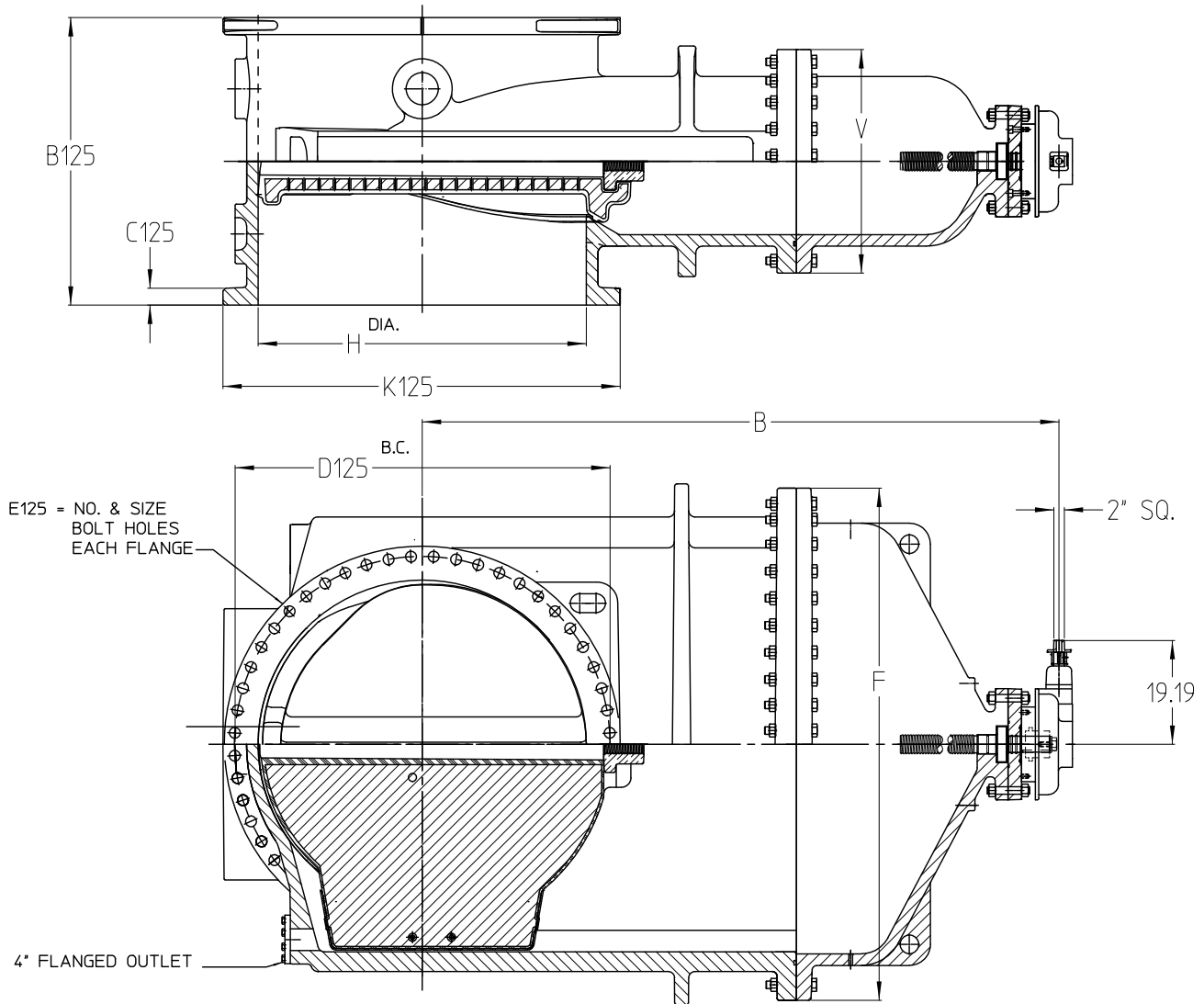


AMERICAN Flow Control Submittal Information

60" - 66" SERIES 2500 RESILIENT WEDGE GATE VALVE
 NRS CLASS 125 FLANGED ENDS WITH BEVEL GEAR ACTUATOR (FLG X FLG)



91-714 31

Size	60"	66"
B	118.00	118.00
B125	53.00	58.00
C125	3.13	3.38
D125	69.25	76.00
E125	52 - 2.00	52 - 2.00
F	94.38	94.38
H	60.50	60.50
K125	73.00	80.00
V	41.81	41.81
Turns to Open	984	984
Weight	29,486 lbs.	31,618 lbs.



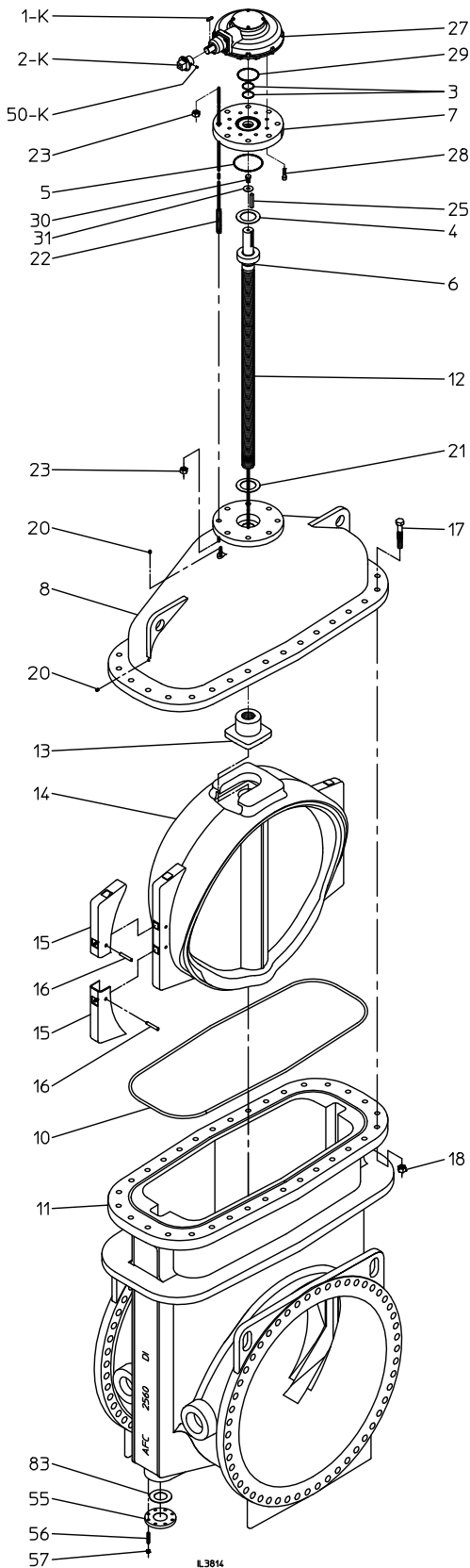
AMERICAN
 FLOW CONTROL

THE RIGHT WAY

AMERICAN Flow Control
 P.O. Box 2727
 Birmingham, Al. 35202-2727
 Phone: 800-326-8051
 Fax: 800-610-3569
 Email: afcsales@american-usa.com

Waterous Company
 125 Hardman Avenue South
 South St. Paul, Mn. 55075-1191
 Phone: 888-266-3686
 Fax: 800-601-2809
 Email: afcsales@american-usa.com

WWW.AMERICAN-USA.COM



Ref. No.	Description	Material
1-K	Key for operating nut	Steel
2-K	Operating Nut	Ductile Iron ASTM A536
3	O-Ring	Rubber
4	Upper Thrust Washer	Delrin
5	Stuffing Box Gasket	Rubber O-Ring
6	O-Ring	Rubber
7	Stuffing Box	Ductile Iron ASTM A536
8	Bonnet	Ductile Iron ASTM A536
10	Throat Flange Gasket	Rubber
11	Valve Body	Ductile Iron ASTM A536
12	Stem	Stainless Steel, 17-4PH, ASTM A 705
13	Wedge Nut	Red Brass, ASTM B62, UNS C83600
14	Resilient Wedge	EPDM Rubber Encapsulated Ductile Iron ASTM A536
15	Wedge Cover	Acetal Polymer
16	Wedge Cover Pin	Acetal Polymer
17	Hex Head Bolt	304 Stainless Steel
18	Hex Nut	304 Stainless Steel
20	Pipe Plug	Stainless Steel
21	Lower Thrust Washer	Delrin
22	Stud	304 Stainless Steel
23	Hex Nut	304 Stainless Steel
25	Key	Hardened Steel
27	Bevel Gear Actuator	Rotork IB-12 (8:1)
28	Socket Head Capscrew	0304 Stainless Steel
29	Actuator Gasket	Rubber O-Ring
30	Hex Head Bolt	Zinc Plated Steel
31	Washer	Steel
50-K	Set Screw for Operating Nut	Stainless Steel
55	Blind Flange**	Ductile Iron ASTM A536
56	Stud	304 Stainless Steel
57	Hex Nut	304 Stainless Steel
83	Blind Flange Gasket	Rubber

OPTIONAL MATERIALS ARE AS FOLLOWS

BOLTS and NUTS: 316 Stainless Steel

Open Direction Left(C.C.W.) Right(C.W.)

** On horizontal configurations, the blind flange (Ref. # 55) will be located on the bottom of the valve guide track, as shown on page 1 of this document.

NOTES:

1. Bolt pattern of Class 125 flanged ends for 60 in. is in accordance with ANSI/AWWA C115 (ASME B16.1 Class 125). Bolt pattern for 66 in. is in accordance with ANSI/AWWA C207 Class E.
2. Valve coated internally and externally with liquid epoxy and meets requirements of ANSI/AWWA C550.
3. Certified to NSF/ANSI 61 & 372.
4. Meets requirements of AWWA C515 with rated working pressure of 250 psig.



AMERICAN
FLOW CONTROL

THE RIGHT WAY

AMERICAN Flow Control
P.O. Box 2727
Birmingham, Al. 35202-2727
Phone: 800-326-8051
Fax: 800-610-3569
Email: afcsales@american-usa.com

Waterous Company
125 Hardman Avenue South
South St. Paul, Mn. 55075-1191
Phone: 888-266-3686
Fax: 800-601-2809
Email: afcsales@american-usa.com

WWW.AMERICAN-USA.COM