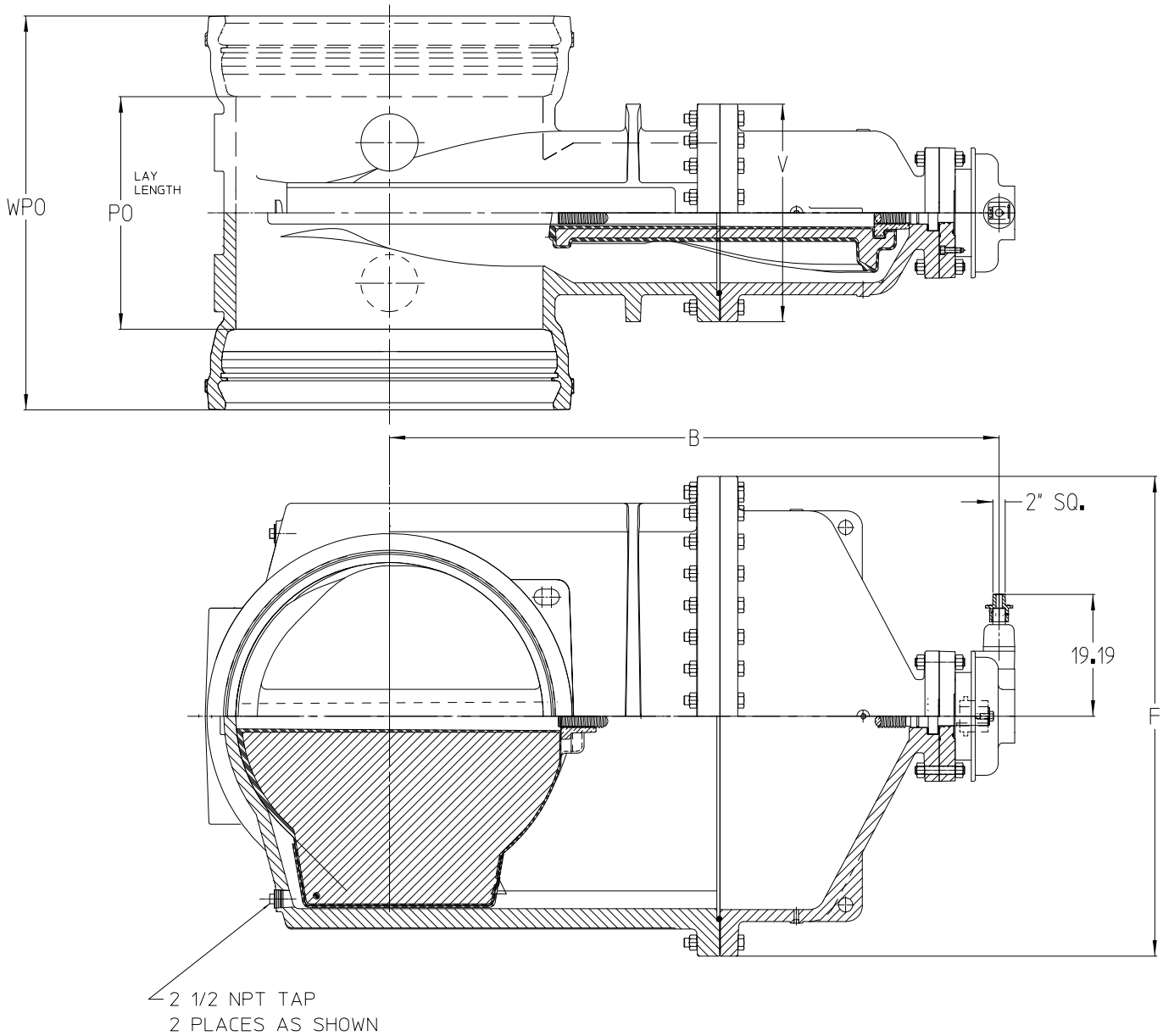


# AMERICAN Flow Control Submittal Information

## 42" - 48" SERIES 2500 RESILIENT WEDGE GATE VALVE NRS AMERICAN Flex-Ring® ENDS WITH BEVEL GEAR ACTUATOR (FR X FR)



91-21424

Size	42"	48"
B	86.28	96.00
F	66.75	75.50
PO	31.81	37.27
WPO	53.50	62.00
V	31.25	34.25
Turns to Open	694	789
Weight	11,279 lbs.	17,182 lbs.



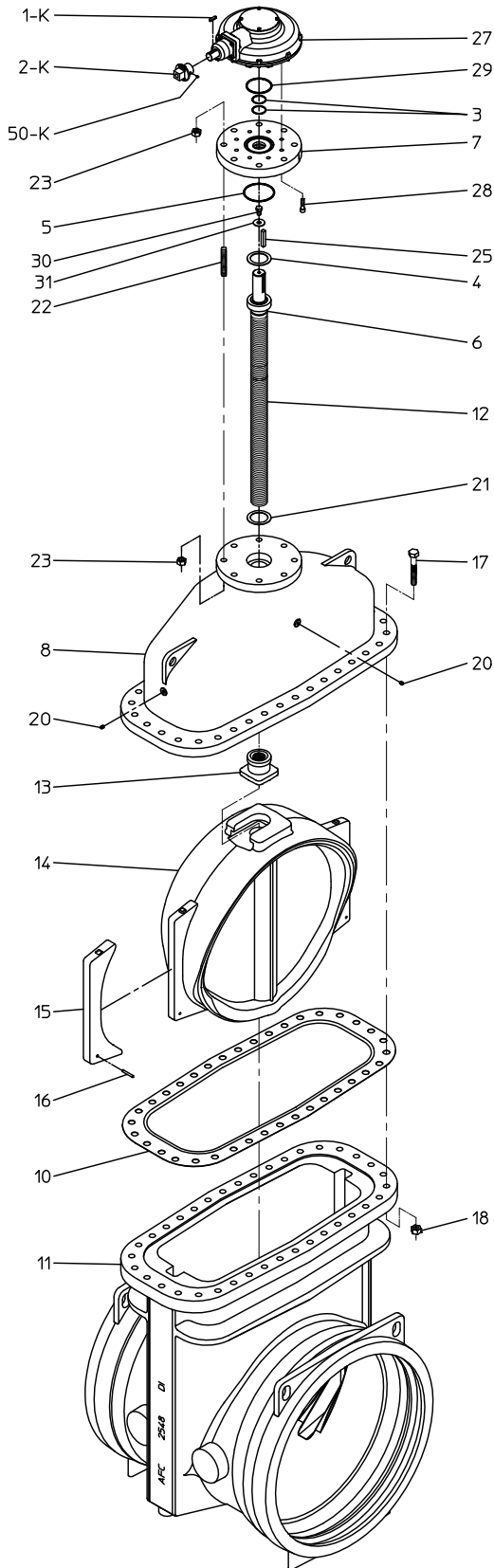
**AMERICAN**  
FLOW CONTROL

**THE RIGHT WAY**

AMERICAN Flow Control  
P.O. Box 2727  
Birmingham, Al. 35202-2727  
Phone: 800-326-8051  
Fax: 800-610-3569  
Email: afcsales@american-usa.com

Waterous Company  
125 Hardman Avenue South  
South St. Paul, Mn. 55075-1191  
Phone: 888-266-3686  
Fax: 800-601-2809  
Email: afcsales@american-usa.com

[WWW.AMERICAN-USA.COM](http://WWW.AMERICAN-USA.COM)



Ref. No.	Description	Material
1-K	Key for operating nut	Steel
2-K	Operating Nut	Ductile Iron ASTM A536
3	O-Ring	Rubber
4	Upper Thrust Washer	Delrin
5	Stuffing Box Gasket	Rubber O-Ring
6	O-Ring	Rubber
7	Stuffing Box	Ductile Iron ASTM A536
8	Bonnet	Ductile Iron ASTM A536
10	Throat Flange Gasket	Rubber
11	Valve Body	Ductile Iron ASTM A536
12	Stem	Cast Bronze, ASTM B763, UNS C99500
13	Wedge Nut	Red Brass, ASTM B62, UNS C83600
14	Resilient Wedge	EPDM Rubber Encapsulated Ductile Iron ASTM A536
15	Wedge Cover	Acetal Polymer
16	Wedge Cover Pin	Acetal Polymer
17	Hex Head Bolt	304 Stainless Steel
18	Hex Nut	304 Stainless Steel
20	Pipe Plug	Stainless Steel
21	Lower Thrust Washer	Delrin
22	Stud	304 Stainless Steel
23	Hex Nut	304 Stainless Steel
25	Key	Hardened Steel
27	Bevel Gear Actuator	Rotork IB-12 (8:1)
28	Socket Head Capscrew	304 Stainless Steel
29	Actuator Gasket	Rubber O-Ring
30	Hex Head Bolt	Zinc Plated Steel
31	Washer	Steel
50-K	Set Screw for Operating Nut	Stainless Steel

**OPTIONAL MATERIALS ARE AS FOLLOWS**

BOLTS and NUTS: 316 Stainless Steel

STEM: 316 Stainless Steel

Open Direction  Left(C.C.W.)  Right(C.W.)

**NOTES:**

1. End connection is AMERICAN Flex-Ring® Joint.
2. Fusion-bonded epoxy coated in accordance with AWWA C550.
3. Certified to NSF/ANSI 61 & 372.
4. Meets requirements of AWWA C515 with rated working pressure of 250 psig.



**AMERICAN**  
FLOW CONTROL

**THE RIGHT WAY**

AMERICAN Flow Control  
P.O. Box 2727  
Birmingham, Al. 35202-2727  
Phone: 800-326-8051  
Fax: 800-610-3569  
Email: afcsales@american-usa.com

Waterous Company  
125 Hardman Avenue South  
South St. Paul, Mn. 55075-1191  
Phone: 888-266-3686  
Fax: 800-601-2809  
Email: afcsales@american-usa.com

[WWW.AMERICAN-USA.COM](http://WWW.AMERICAN-USA.COM)