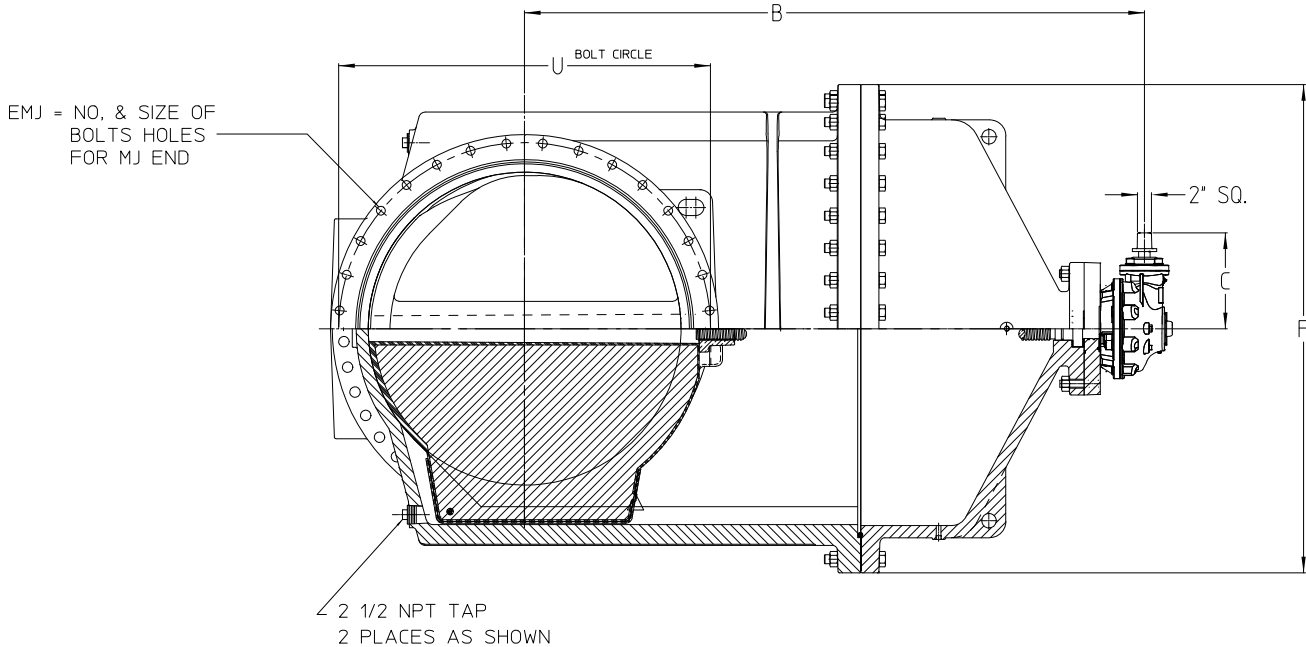
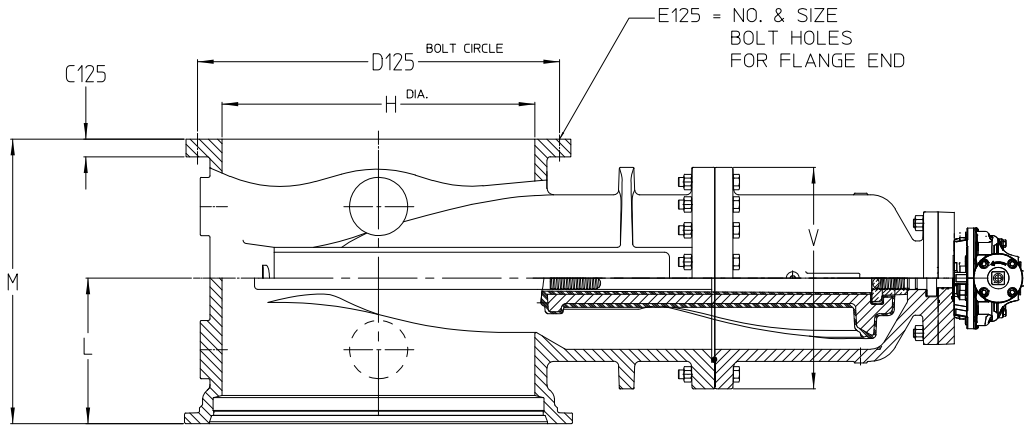


# AMERICAN Flow Control Submittal Information

## 42" - 48" SERIES 2500 RESILIENT WEDGE GATE VALVE NRS CLASS 125 FLANGED END X MECHANICAL JOINT END WITH BEVEL GEAR ACTUATOR (FLG X MJ)



91-21423

Size	42"	48"
B	85.29 - 86.28	95.01 - 96.00
C	13.84 - 19.19	13.84 - 19.19
C125	2.63	2.75
D125	49.50	56.00
E125	36 - 1.63	44 - 1.63
EMJ	28 - 1.38	32 - 1.38
F	66.75	75.50
K125	53.00	59.50
L	23.38	22.50
M	42.38	44.00
R	53.13	60.00
U	50.63	57.50
V	31.25	34.25
WMJ	46.75	45.00
Turns to Open	694	789
Weight	11,279 lbs.	15,870 lbs.



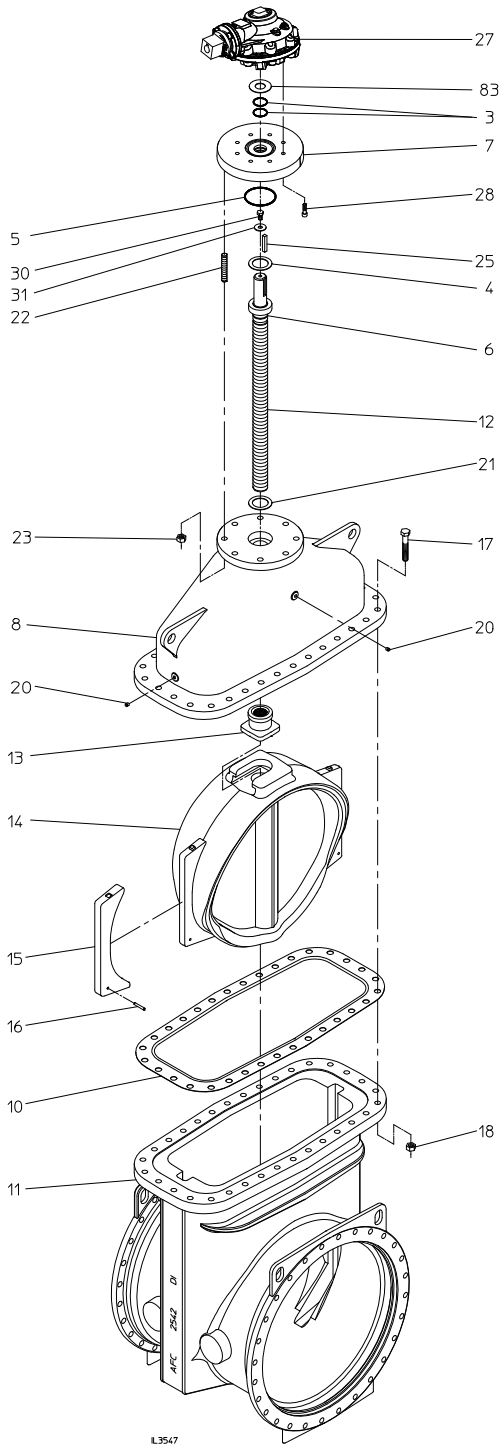
**AMERICAN**  
FLOW CONTROL

**THE RIGHT WAY**

AMERICAN Flow Control  
P.O. Box 2727  
Birmingham, Al. 35202-2727  
Phone: 800-326-8051  
Fax: 800-610-3569  
Email: afcsales@american-usa.com

Waterous Company  
125 Hardman Avenue South  
South St. Paul, Mn. 55075-1191  
Phone: 888-266-3686  
Fax: 800-601-2809  
Email: afcsales@american-usa.com

[WWW.AMERICAN-USA.COM](http://WWW.AMERICAN-USA.COM)



Ref. No.	Description	Material
3	O-Ring	Rubber
4	Upper Thrust Washer	Delrin
5	Stuffing Box Gasket	Rubber O-Ring
6	O-Ring	Rubber
7	Stuffing Box	Ductile Iron ASTM A536
8	Bonnet	Ductile Iron ASTM A536
10	Throat Flange Gasket	Rubber
11	Valve Body	Ductile Iron ASTM A536
12	Stem	Cast Bronze, ASTM B763, UNS C99500
13	Wedge Nut	Red Brass, ASTM B62, UNS C83600
14	Resilient Wedge	EPDM Rubber Encapsulated Ductile Iron ASTM A536
15	Wedge Cover	Acetal Polymer
16	Wedge Cover Pin	Acetal Polymer
17	Hex Head Bolt	304 Stainless Steel
18	Hex Nut	304 Stainless Steel
20	Pipe Plug	Stainless Steel
21	Lower Thrust Washer	Delrin
22	Stud	304 Stainless Steel
23	Hex Nut	304 Stainless Steel
25	Key	Hardened Steel
27	Bevel Gear Actuator Assembly	AFC or Rotork Gearing (8:1)
28	Socket Head Capscrew	0304 Stainless Steel
30	Hex Head Bolt	Zinc Plated Steel
31	Washer	Steel
83	Actuator Gasket	Rubber

**OPTIONAL MATERIALS ARE AS FOLLOWS**

BOLTS and NUTS: 316 Stainless Steel

STEM: 316 Stainless Steel

Open Direction     Left(C.C.W.)     Right(C.W.)

Construction shown is typical of the 42-inch size with mechanical joint end connections and is illustrative only. Construction of other sizes and end connection types vary slightly. See elsewhere on this drawing for specific details.

**NOTES:**

1. Bolt pattern of class 125 flanged end is in accordance with ANSI/AWWA C110/A21.10 (ASME B16.1 class 125).
2. Mechanical joint end is in accordance with ANSI/AWWA C111/A21.11.
3. Fusion-bonded epoxy coated in accordance with AWWA C550.
4. Certified to NSF/ANSI/CAN 61 & NSF/ANSI 372.
5. Meets requirements of AWWA C515 with rated working pressure of 250 psig.
6. Gearing provided may be AFC or Rotork as shown in Material.



**AMERICAN**  
FLOW CONTROL

**THE RIGHT WAY**

AMERICAN Flow Control  
P.O. Box 2727  
Birmingham, Al. 35202-2727  
Phone: 800-326-8051  
Fax: 800-610-3569  
Email: [afcsales@american-usa.com](mailto:afcsales@american-usa.com)

Waterous Company  
125 Hardman Avenue South  
South St. Paul, Mn. 55075-1191  
Phone: 888-266-3686  
Fax: 800-601-2809  
Email: [afcsales@american-usa.com](mailto:afcsales@american-usa.com)

[WWW.AMERICAN-USA.COM](http://WWW.AMERICAN-USA.COM)