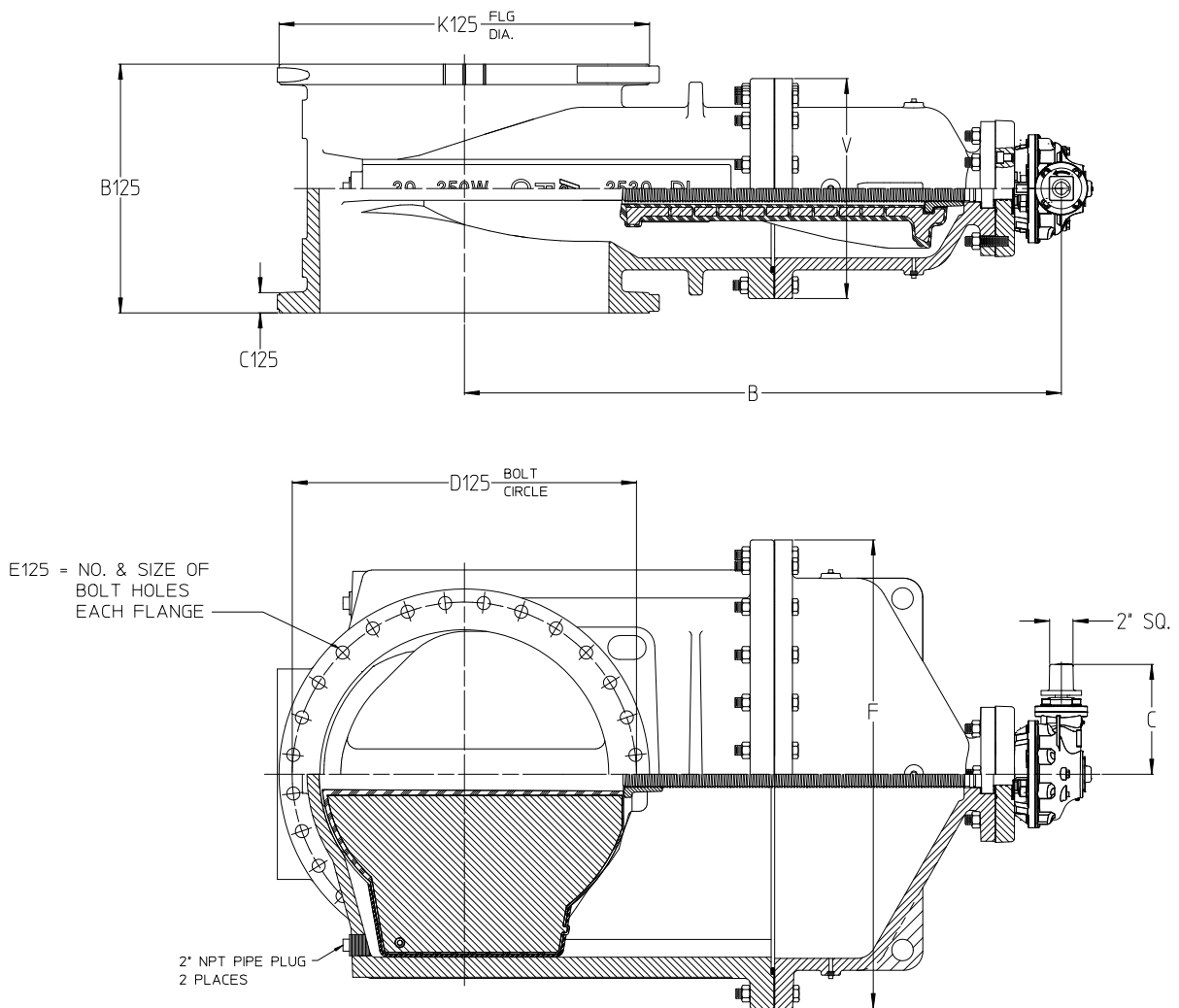


AMERICAN Flow Control Submittal Information

30" - 36" SERIES 2500 RESILIENT WEDGE GATE VALVE NRS CLASS 125 FLANGED ENDS WITH BEVEL GEAR ACTUATOR (FLG X FLG)



91-21412

Size	30"	36"
B	62.61 - 62.63	73.72 - 74.38
B125	26.00	30.00
C	10.55 - 13.56	12.83 - 15.38
C125	2.13	2.38
D125	36.00	42.75
E125	28 - 1.38	32 - 1.63
F	49.00	58.00
K125	38.75	46.00
V	23.00	27.50
Turns to Open	379	448
Weight	4500 lbs.	7440 lbs.



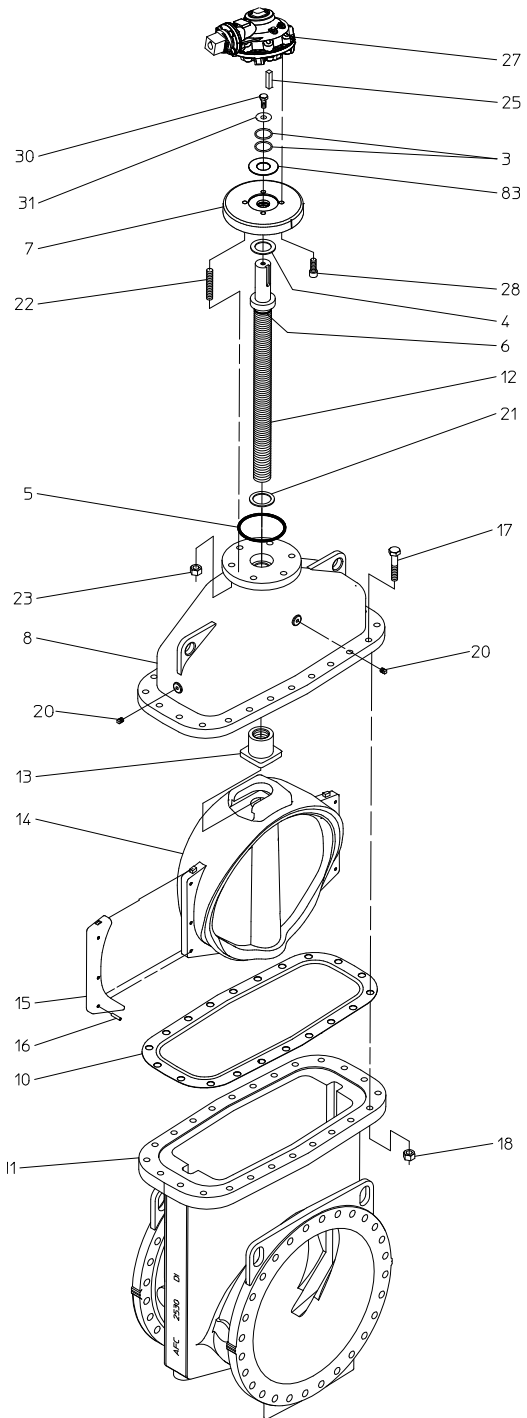
AMERICAN
FLOW CONTROL

THE RIGHT WAY

AMERICAN Flow Control
P.O. Box 2727
Birmingham, Al. 35202-2727
Phone: 800-326-8051
Fax: 800-610-3569
Email: afcsales@american-usa.com

Waterous Company
125 Hardman Avenue South
South St. Paul, Mn. 55075-1191
Phone: 888-266-3686
Fax: 800-601-2809
Email: afcsales@american-usa.com

WWW.AMERICAN-USA.COM



Ref. No.	Description	Material
3	O-Ring	Rubber
4	Upper Thrust Washer	Delrin
5	Stuffing Box Gasket	Rubber O-Ring
6	O-Ring	Rubber
7	Stuffing Box	Ductile Iron ASTM A536
8	Bonnet	Ductile Iron ASTM A536
10	Throat Flange Gasket	Rubber
11	Valve Body	Ductile Iron ASTM A536
12	Stem	Manganese Bronze, ASTM B763, UNS C86200
13	Wedge Nut	Silicon Bronze, ASTM B584, UNS C87600
14	Resilient Wedge	EPDM Rubber Encapsulated Ductile Iron ASTM A536
15	Wedge Cover	Acetal Polymer
16	Wedge Cover Pin	Acetal Polymer
17	Hex Head Bolt	304 Stainless Steel
18	Hex Nut	304 Stainless Steel
20	Pipe Plug	Stainless Steel
21	Lower Thrust Washer	Delrin
22	Stud	304 Stainless Steel
23	Hex Nut	304 Stainless Steel
25	Key	Hardened Steel
27	Bevel Gear Actuator Assembly	AFC or Rotork Gearing (4:1)
28	Socket Head Capscrew	304 Stainless Steel
30	Hex Head Bolt	Zinc Plated Steel
31	Washer	Steel
83	Actuator Gasket	Rubber

OPTIONAL MATERIALS ARE AS FOLLOWS

BOLTS and NUTS: 316 Stainless Steel
 STEM: Cast NDZ-S Bronze, ASTM B763, UNS C99500
 STEM: 316 Stainless Steel
 STEM: 304 Stainless Steel (30" only)

Open Direction Left(C.C.W.) Right(C.W.)

Construction shown is typical of the 30-inch size with flange end connections and is illustrative only. Construction of other sizes and end connection types vary slightly. See elsewhere on this drawing for specific details.

NOTES:

1. Bolt patterns of class 125 flanged ends are in accordance with ANSI/AWWA C110/A21.10 (ASME B16.1 class 125).
2. Fusion-bonded epoxy-coated in accordance with AWWA C550.
3. Certified to NSF/ANSI/CAN 61 & NSF/ANSI 372.
4. Meets requirements of AWWA C515 with rated working pressure of 250 psig.
5. Gearing provided may be AFC or Rotork as shown in Material.



AMERICAN
FLOW CONTROL

THE RIGHT WAY

AMERICAN Flow Control
 P.O. Box 2727
 Birmingham, Al. 35202-2727
 Phone: 800-326-8051
 Fax: 800-610-3569
 Email: afcsales@american-usa.com

Waterous Company
 125 Hardman Avenue South
 South St. Paul, Mn. 55075-1191
 Phone: 888-266-3686
 Fax: 800-601-2809
 Email: afcsales@american-usa.com

WWW.AMERICAN-USA.COM