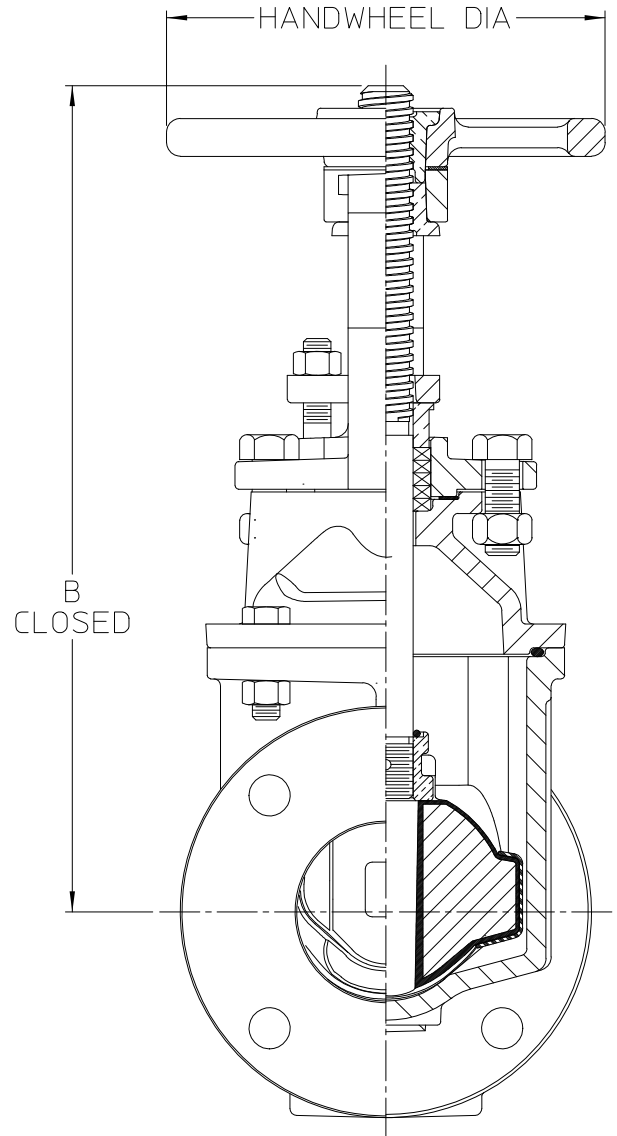
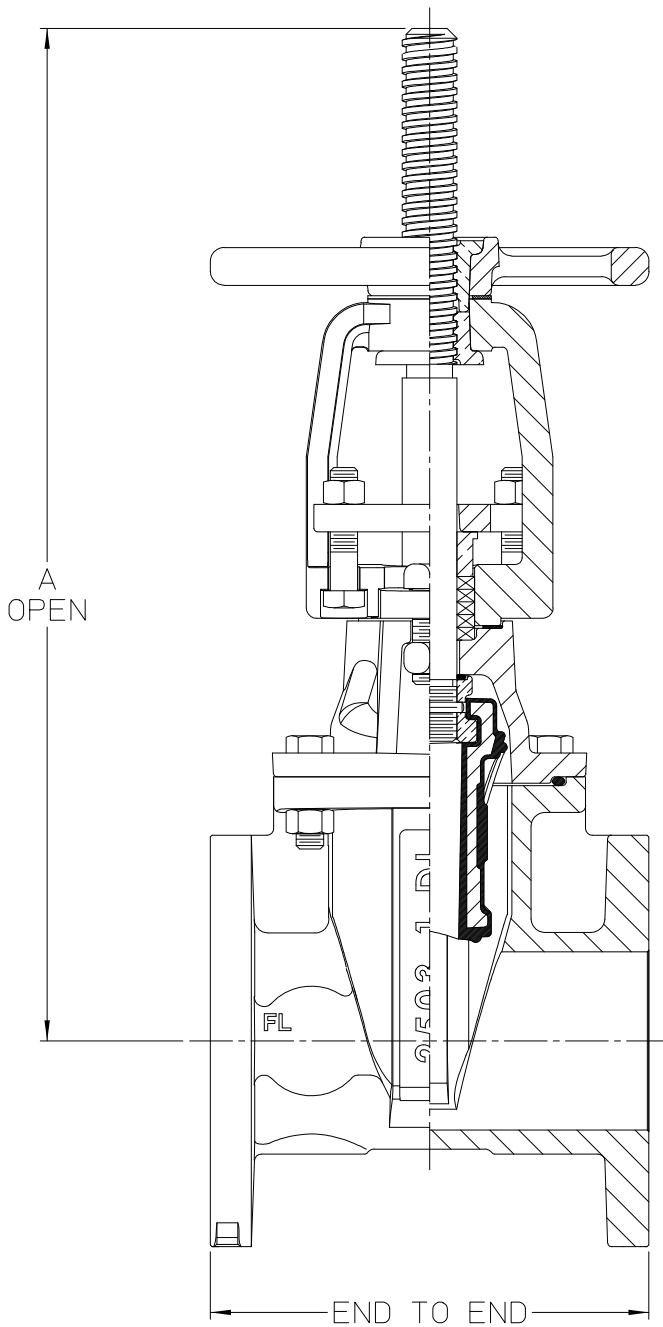


AMERICAN Flow Control Submittal Information

3" SERIES 2500-1 RESILIENT WEDGE GATE VALVE, OS&Y



IL4699

NOTE:

1. Bolt pattern of flanged ends are in accordance with ASME B16.1, Class 125.

| DIMENSION | 3" VALVE SIZE |
|----------------------------|---------------|
| End to End - FL/FL | 8.00 |
| A (Valve Open) $\pm 1/4$ | 18.46 |
| B (Valve Closed) $\pm 1/4$ | 15.07 |
| Handwheel Diameter | 8.00 |
| No. of Turns to open | 13 |



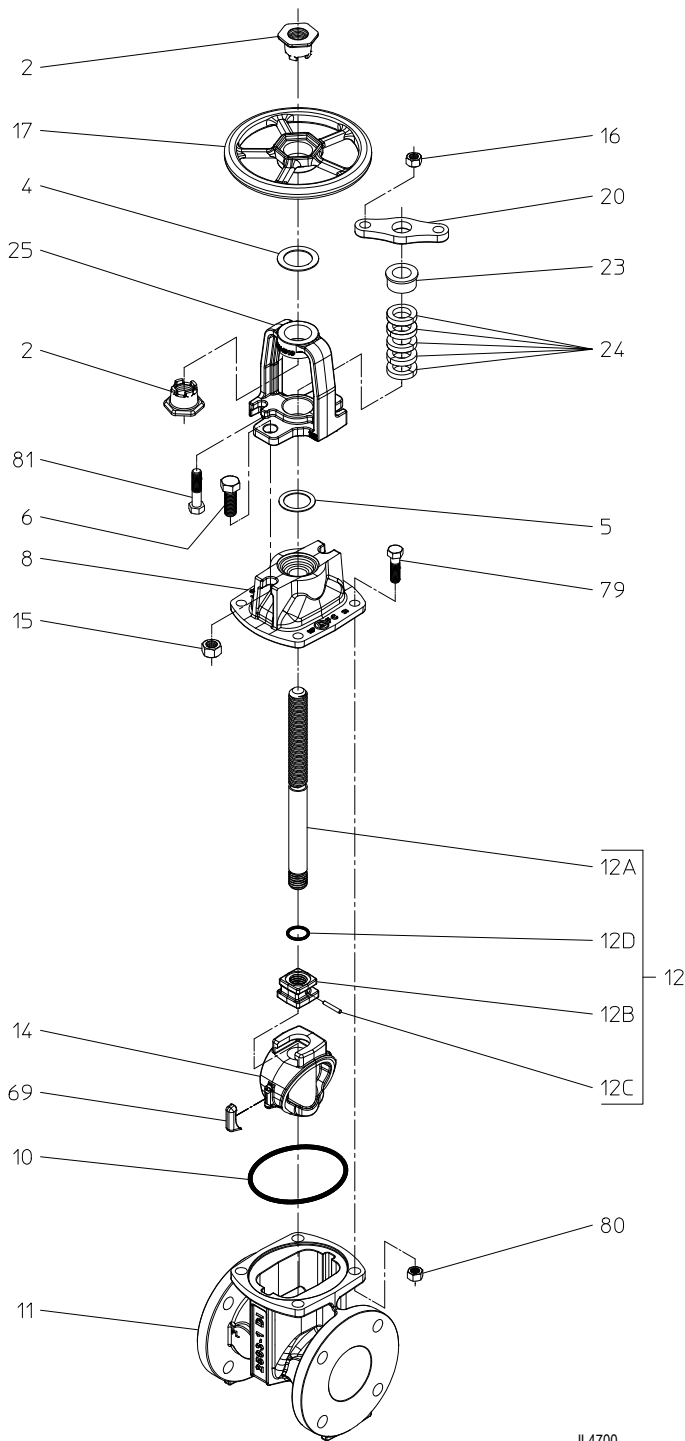
AMERICAN
FLOW CONTROL

THE RIGHT WAY

AMERICAN Flow Control
P.O. Box 2727
Birmingham, Al. 35202-2727
Phone: 1-800-326-8051
Fax: 1-800-610-3569
E-mail: afcsales@american-usa.com

Waterous Company
125 Hardman Avenue South
South St. Paul, Mn. 55075-1191
Phone: 1-888-266-3686
Fax: 1-800-601-2809
E-mail: afcsales@american-usa.com

WWW.AMERICAN-USA.COM



IL4700

Construction shown is typical of the 3-inch size with flanged end connections and is illustrative only.

| REF NO. | DESCRIPTION | MATERIAL |
|---------|--------------------------------|---|
| 2 | Stem Nut | Forging Brass, ASTM B124, UNS C37700 |
| 4 | Handwheel Washer | Nylon 101, Federal Spec No. L-P-401A |
| 5 | Stuffing Box Gasket | Rubber |
| 6 | Hex Head Bolt, 5/8-11 x 1-3/4" | 304 Stainless Steel |
| 8 | Bonnet | Ductile Iron, ASTM A536 |
| 10 | Bonnet Gasket | Rubber O-ring |
| 11 | Body | Ductile Iron, ASTM A536 |
| 12 | Stem & Wedge Nut Assembly | See Below |
| 12A | Stem | Free Cutting Brass, ASTM B16, UNS C36000 |
| 12B | Wedge Nut | Silicon Bronze, ASTM B584, UNS C87600 |
| 12C | Groove Pin | 303 Stainless Steel |
| 12D | O-ring | Rubber |
| 14 | Resilient Wedge | EPDM Rubber Encapsulated Ductile Iron, ASTM A536 |
| 15 | Hex Nut, 5/8-11 | 304 Stainless Steel |
| 16 | Hex Nut, 1/2-13 | Brass, ASTM F467, UNS C27000 |
| 17 | Handwheel | Ductile Iron, ASTM A536 |
| 20 | Gland Follower | Ductile Iron, ASTM A536 |
| 23 | Gland | Sintered Bronze, Oil Impregnated, ASTM B438, Group 1, Type II |
| 24 | Packing Ring | PTFE Impregnated Braided Graphite |
| 25 | Yoke | Ductile Iron, ASTM A536 |
| 69 | Wedge Cover | Acetal Polymer |
| 79 | Hex Head Bolt, 1/2-13 x 1-3/4" | 304 Stainless Steel |
| 80 | Hex Nut, 1/2-13 | 304 Stainless Steel |
| 81 | Hex Head Bolt, 1/2-13 x 2-1/4" | 304 Stainless Steel |

OPTIONAL MATERIALS ARE AS FOLLOWS

BOLTS and NUTS: 316 Stainless Steel

STEM: 304 Stainless Steel and 316 Stainless Steel

Open Direction: Left (C.C.W.) Right (C.W.)

NOTES:

1. Available in configurations that are UL Listed and FM Approved with 250 psig rated working pressure.
2. Meets applicable requirements of ANSI/AWWA C515 with 250 psig rated working pressure.
3. Fusion-bonded epoxy-coated in accordance with ANSI/AWWA C550.
4. Certified to NSF/ANSI/CAN 61 and NSF/ANSI 372.



AMERICAN
FLOW CONTROL

THE RIGHT WAY

AMERICAN Flow Control
P.O. Box 2727
Birmingham, Al. 35202-2727
Phone: 1-800-326-8051
Fax: 1-800-610-3569
E-mail: afcsales@american-usa.com

Waterous Company
125 Hardman Avenue South
South St. Paul, Mn. 55075-1191
Phone: 1-888-266-3686
Fax: 1-800-601-2809
E-mail: afcsales@american-usa.com

WWW.AMERICAN-USA.COM