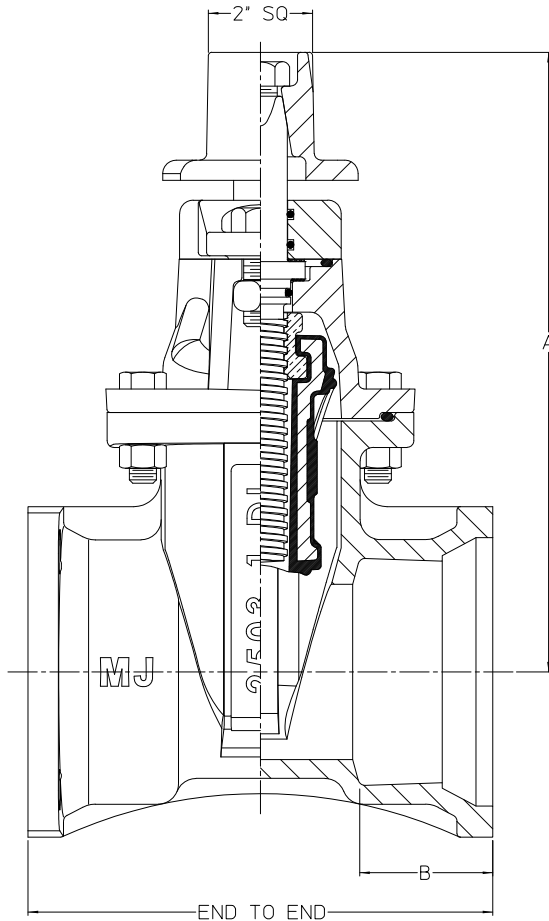
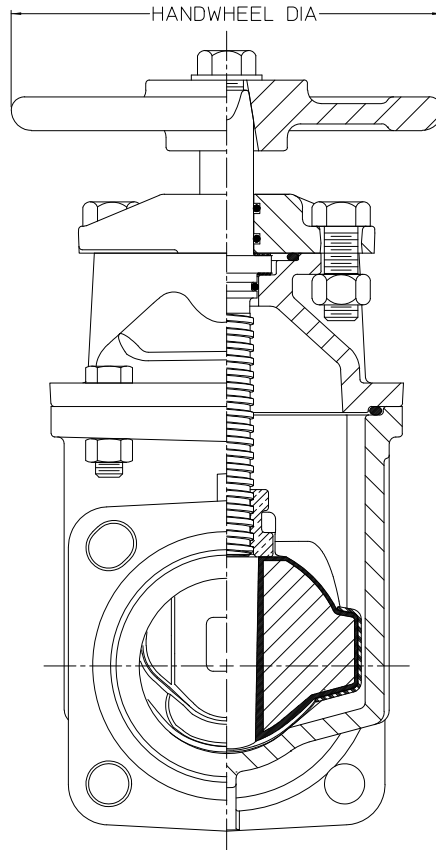


AMERICAN Flow Control Submittal Information

3" SERIES 2500-1 RESILIENT WEDGE GATE VALVE, NRS

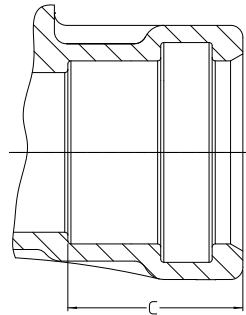


SHOWN WITH 2" OPERATING NUT

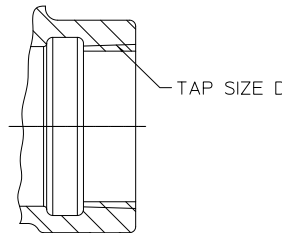


SHOWN WITH OPTIONAL HANDWHEEL

IL4697



PVC



THREADED (SCREW)

OPTIONAL END CONNECTIONS

DIMENSION	3" VALVE SIZE
End to End - MJ/MJ	8.63
End to End - FL/FL	8.00
End to End - FL/MJ	8.31
End to End - PVC/PVC	11.38
End to End - Threaded	7.38
A	11.50
B	2.50
C	3.56
D	3 NPT
Handwheel Diameter	8.00
No. of Turns to open	13

NOTES:

1. Bolt pattern of flanged ends are in accordance with ASME B16.1, Class 125.
2. Mechanical joint ends are in accordance with ANSI/AWWA C153/A21.53.
3. PVC ends are for steel (IPS) sizes of PVC or steel pipe.
4. Threaded ends are in accordance with ASME B16.4, Class 125 (see dimension D).



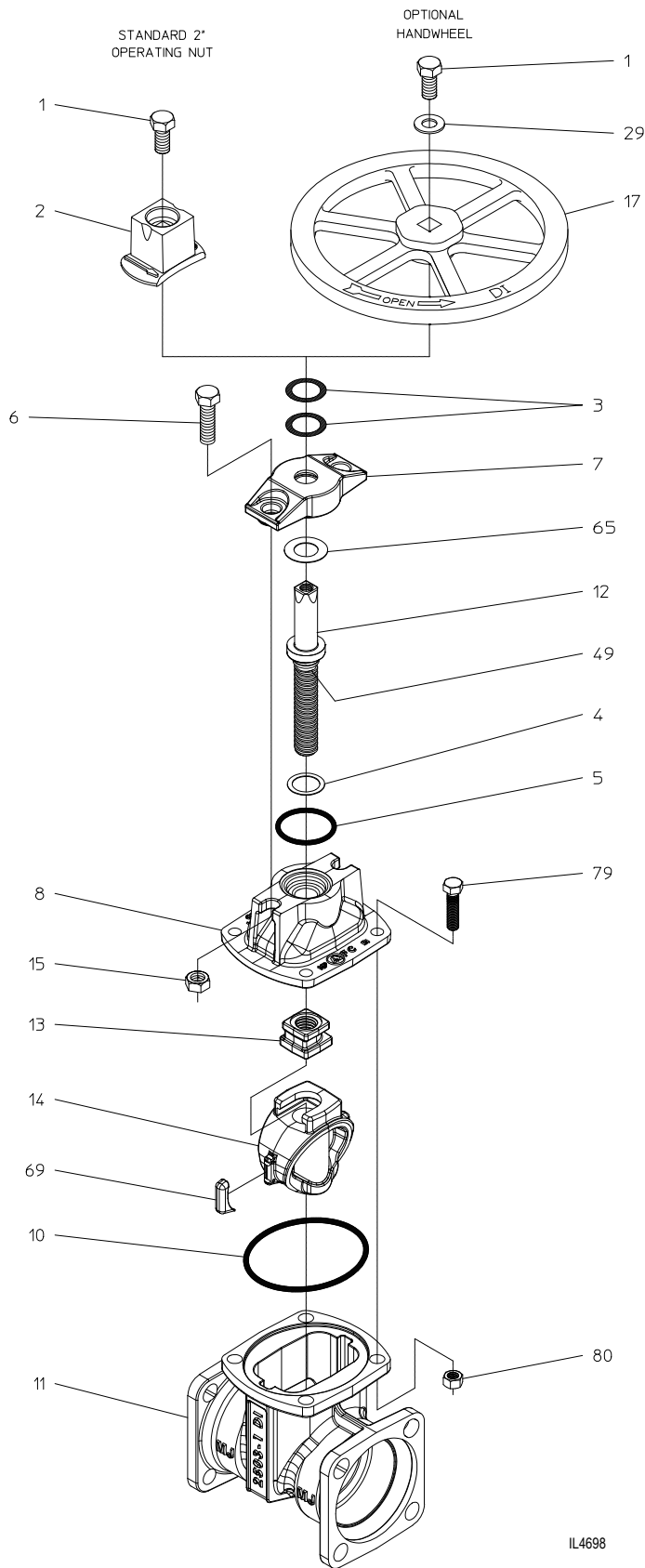
AMERICAN
FLOW CONTROL

THE RIGHT WAY

AMERICAN Flow Control
P.O. Box 2727
Birmingham, Al. 35202-2727
Phone: 1-800-326-8051
Fax: 1-800-610-3569
E-mail: afcsales@american-usa.com

Waterous Company
125 Hardman Avenue South
South St. Paul, Mn. 55075-1191
Phone: 1-888-266-3686
Fax: 1-800-601-2809
E-mail: afcsales@american-usa.com

WWW.AMERICAN-USA.COM



IL4698

Construction shown is typical of the 3-inch size with mechanical joint connections and is illustrative only. Construction of other end connection types vary slightly. See elsewhere on this submittal for specific details.

REF NO.	DESCRIPTION	MATERIAL
1	Hex Head Bolt, 5/8-11 x 1"	304 Stainless Steel
2	Operating Nut	Ductile Iron, ASTM A536
3	O-Ring	Rubber
4	Lower Thrust Washer	304 Stainless Steel
5	Stuffing Box Gasket	Rubber O-ring
6	Hex Head Bolt, 5/8-11 x 1-3/4"	304 Stainless Steel
7	Stuffing Box	Ductile Iron, ASTM A536
8	Bonnet	Ductile Iron, ASTM A536
10	Bonnet Gasket	Rubber O-ring
11	Body	Ductile Iron, ASTM A536
12	Stem	Manganese Bronze, ASTM B763, UNS C86700
13	Wedge Nut	Silicon Bronze, ASTM B584, UNS C87600
14	Resilient Wedge	EPDM Rubber Encapsulated Ductile Iron, ASTM A536
15	Hex Nut, 5/8-11	304 Stainless Steel
17	Handwheel	Ductile Iron, ASTM A536
29	Flat Washer, 5/8	304 Stainless Steel
49	O-Ring	Rubber
65	Upper Thrust Washer	304 Stainless Steel
69	Wedge Cover	Acetal Polymer
79	Hex Head Bolt, 1/2-13 x 1-3/4"	304 Stainless Steel
80	Hex Nut, 1/2-13	304 Stainless Steel

OPTIONAL MATERIALS ARE AS FOLLOWS

BOLTS and NUTS: 316 Stainless Steel
 STEM: 304 Stainless Steel and 316 Stainless Steel

Open Direction: Left (C.C.W.) Right (C.W.)

NOTES:

1. Available in configurations that are UL Listed and FM Approved with 250 psig rated working pressure.
2. Meets applicable requirements of ANSI/AWWA C515 with 250 psig rated working pressure.
3. Fusion-bonded epoxy-coated in accordance with ANSI/AWWA C550.
4. Certified to NSF/ANSI/CAN 61 and NSF/ANSI 372.



AMERICAN
 FLOW CONTROL

THE RIGHT WAY

AMERICAN Flow Control
 P.O. Box 2727
 Birmingham, Al. 35202-2727
 Phone: 1-800-326-8051
 Fax: 1-800-610-3569
 E-mail: afcsales@american-usa.com

Waterous Company
 125 Hardman Avenue South
 South St. Paul, Mn. 55075-1191
 Phone: 1-888-266-3686
 Fax: 1-800-601-2809
 E-mail: afcsales@american-usa.com

WWW.AMERICAN-USA.COM