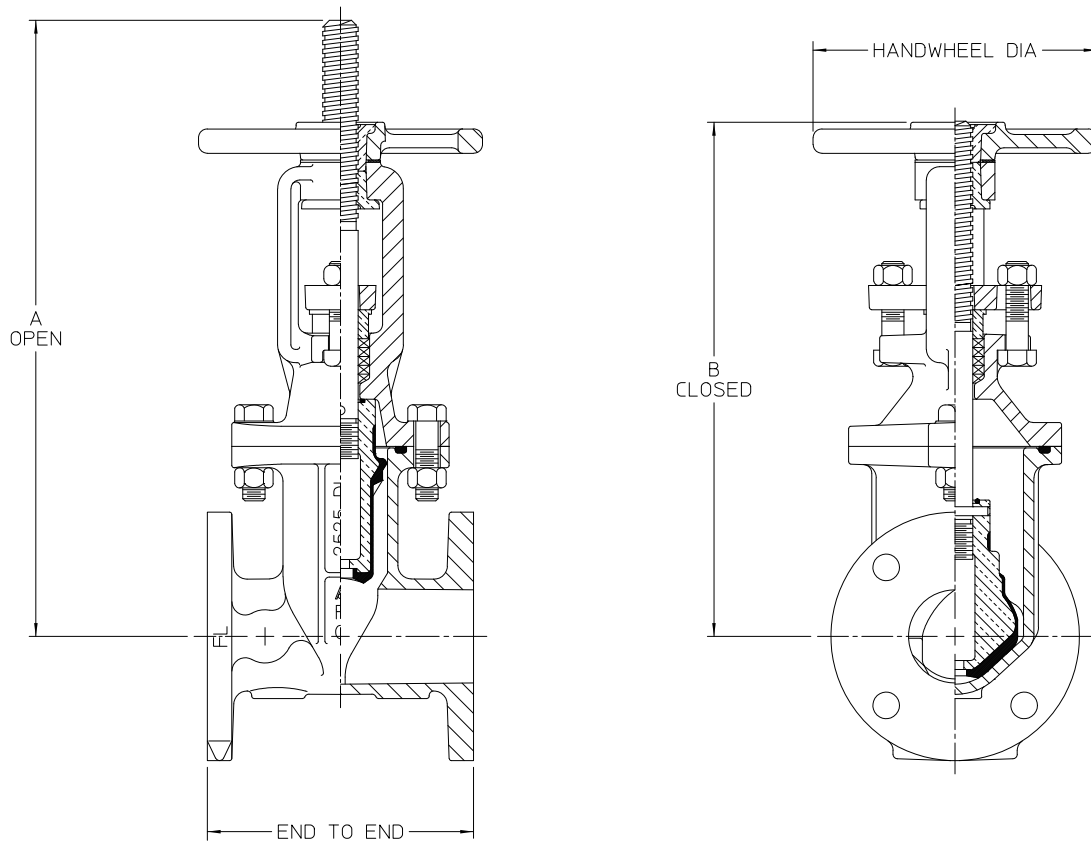
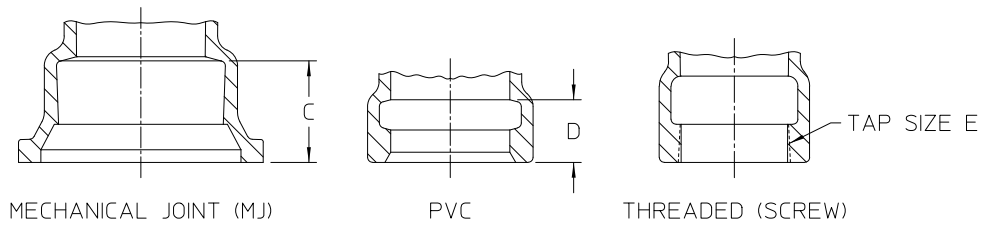


AMERICAN Flow Control Submittal Information

2-1/2" & 3" SERIES 2500 RESILIENT WEDGE GATE VALVE, OS&Y



SK951011-1



OPTIONAL END CONNECTIONS

NOTES:

1. Bolt pattern of 2-1/2" flanged ends are in accordance with ASME B16.1, Class 125.
2. Bolt pattern of 3" flanged ends are in accordance with ANSI/AWWA C110/A21.10.
3. Mechanical joint ends are in accordance with ANSI/AWWA C153/A21.53.
4. PVC ends are for steel (IPS) sizes of PVC or steel pipe.
5. Threaded ends are in accordance with ASME B16.4, Class 125 (see dimension E).

DIMENSION	VALVE SIZE	
	2-1/2"	3"
End to End - MJ/MJ	-	8.62
End to End - FL/FL	7.50	8.00
End to End - PVC/PVC	11.12	11.38
End to End - Threaded	7.38	7.38
End to End - FL/MJ	-	8.31
A (Valve Open) ± 1/4	16.78	18.12
B (Valve Closed) ± 1/4	14.12	14.94
C	-	2.50
D	4.00	4.00
E	2-1/2 NPT	3 NPT
Handwheel Diameter	8.00	8.00
No. of Turns to open	11	13



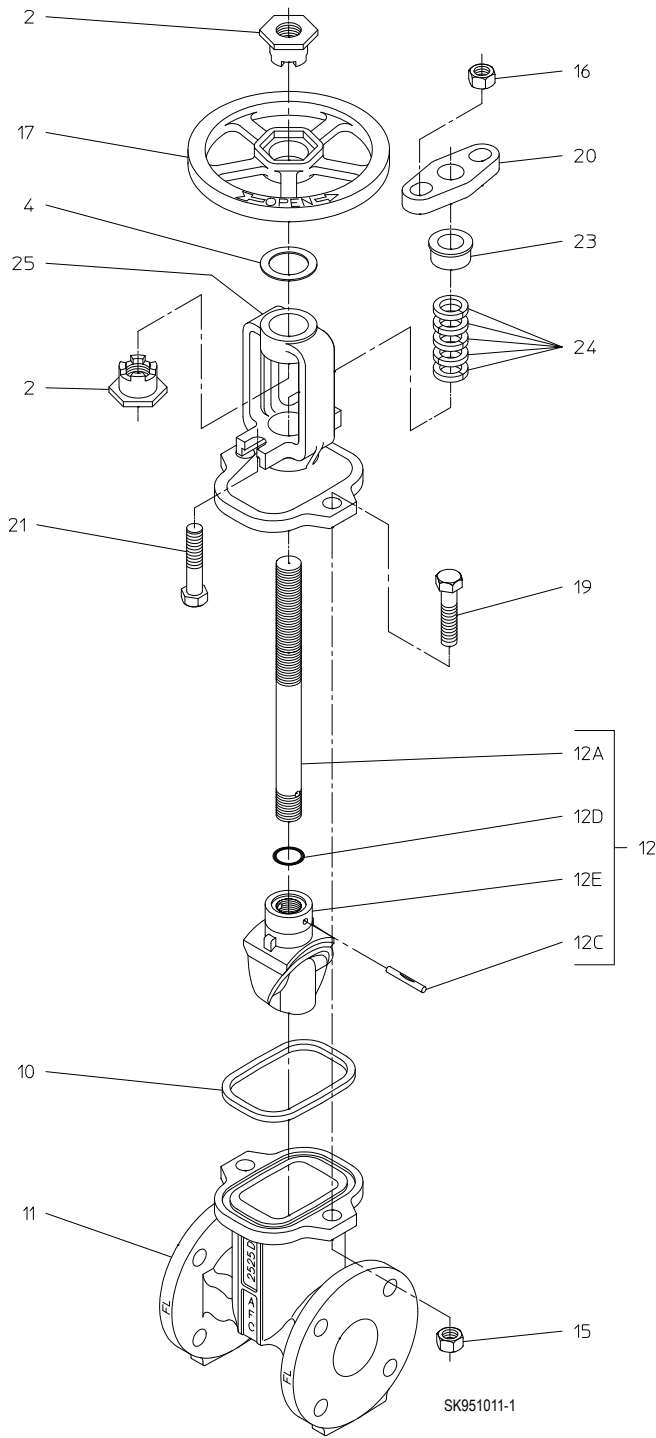
AMERICAN
FLOW CONTROL

THE RIGHT WAY

AMERICAN Flow Control
P.O. Box 2727
Birmingham, Al. 35202-2727
Phone: 1-800-326-8051
Fax: 1-800-610-3569
E-mail: afcsales@american-usa.com

Waterous Company
125 Hardman Avenue South
South St. Paul, Mn. 55075-1191
Phone: 1-888-266-3686
Fax: 1-800-601-2809
E-mail: afcsales@american-usa.com

WWW.AMERICAN-USA.COM



Construction shown is typical of the 2-1/2-inch size with flanged end connections and is illustrative only. Construction of other sizes and end connection types vary slightly. See elsewhere on this submittal for specific details.

REF NO.	DESCRIPTION	MATERIAL
2	Stem Nut	Forging Brass, ASTM B124, UNS C37700
4	Handwheel Washer	Nylon 101, Federal Spec No. L-P-401A
10	Bonnet Gasket	Rubber O-ring
11	Body	Ductile Iron, ASTM A536
12	Stem & Wedge Assembly	See Below
12A	Stem	Free Cutting Brass, ASTM B16, UNS C36000
12C	Groove Pin	303 Stainless Steel
12D	O-ring	Rubber
12E	Resilient Wedge	EPDM Rubber Coated Cast NDZ-S Bronze, ASTM B763, UNS C99500
15	Hex Nut, 5/8-11	304 Stainless Steel
16	Hex Nut, 5/8-11	Brass, ASTM F467, UNS C27000
17	Handwheel	Ductile Iron, ASTM A536
19	Hex Head Bolt, 5/8-11 x 2-1/4"	304 Stainless Steel
20	Gland Follower	Ductile Iron, ASTM A536
21	Hex Head Bolt, 5/8-11 x 2-1/2"	304 Stainless Steel
23	Gland	Sintered Bronze, Oil Impregnated, ASTM B438, Group 1, Type II
24	Packing Ring	PTFE Impregnated Braided Graphite
25	Bonnet	Ductile Iron, ASTM A536

OPTIONAL MATERIALS ARE AS FOLLOWS

BOLTS and NUTS: 316 Stainless Steel

STEM: Cast NDZ-S Bronze, ASTM B763, UNS C99500

STEM: Stainless Steel

Open Direction: Left (C.C.W.) Right (C.W.)

NOTES:

1. Available in configurations that are UL Listed and FM Approved with 250 psig rated working pressure.
2. Meets applicable requirements of ANSI/AWWA C515 with 250 psig rated working pressure although the standard does not cover valves smaller than 3-inch.
3. Fusion-bonded epoxy-coated in accordance with ANSI/AWWA C550.
4. Certified to NSF/ANSI 61 and 372.



AMERICAN
FLOW CONTROL

THE RIGHT WAY

AMERICAN Flow Control
P.O. Box 2727
Birmingham, Al. 35202-2727
Phone: 1-800-326-8051
Fax: 1-800-610-3569
E-mail: afcsales@american-usa.com

Waterous Company
125 Hardman Avenue South
South St. Paul, Mn. 55075-1191
Phone: 1-888-266-3686
Fax: 1-800-601-2809
E-mail: afcsales@american-usa.com

WWW.AMERICAN-USA.COM