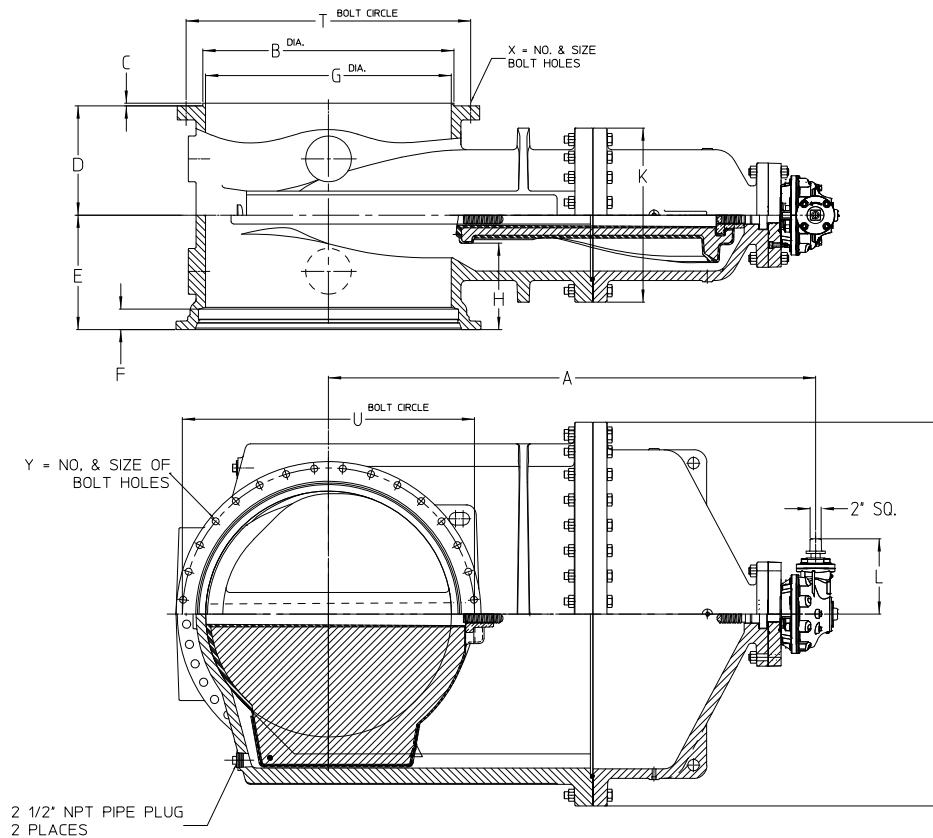


AMERICAN Flow Control Submittal Information

42" - 48" SERIES 2500 RESILIENT WEDGE GATE VALVE NRS TAPPING x MJ END WITH BEVEL GEAR ACTUATOR (TAP x MJ)



91-21425

Size	42"	48"
A	85.29 - 86.28	95.01 - 96.00
B	43.44	49.44
C	.52	.52
D	19.00	21.50
E	23.38	22.50
F	4.13	4.13
G	42.38	48.38
H	17.88	17.00
J	66.75	75.50
K	31.25	34.25
L	13.84 - 19.19	13.84 - 19.19
T	49.50	56.00
U	50.63	57.50
X	36 - 1.63	44 - 1.63
Y	28 - 1.38	32 - 1.38
Turns to Open	694	789
Tap Size	1/2 NPT	1/2 NPT
Maxium Cutter Diameter	42	48
Weight	11,279 lbs.	15,870 lbs.



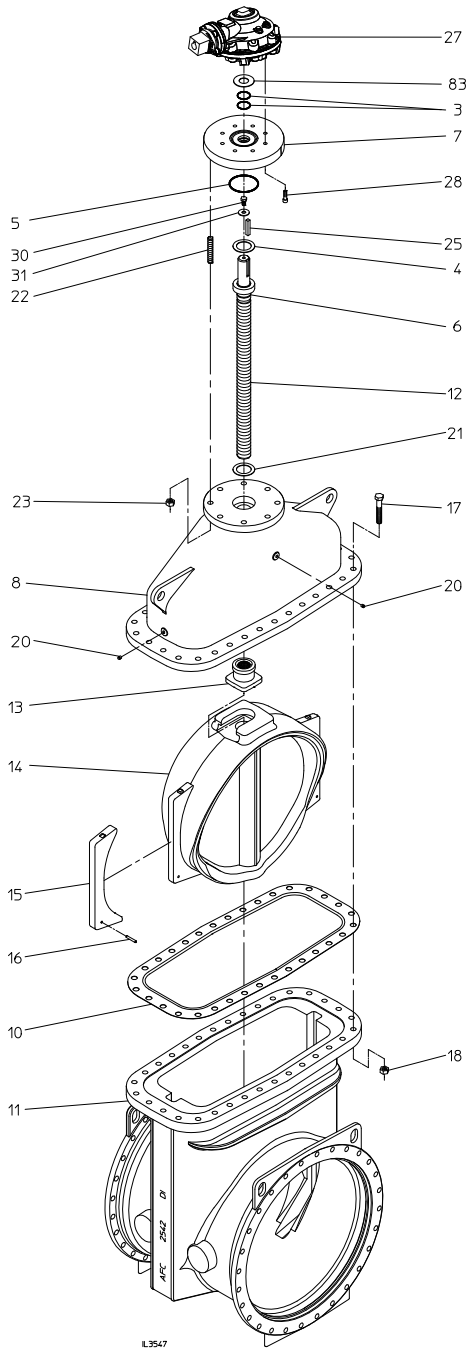
AMERICAN
FLOW CONTROL

THE RIGHT WAY

AMERICAN Flow Control
P.O. Box 2727
Birmingham, Al. 35202-2727
Phone: 800-326-8051
Fax: 800-610-3569
Email: afcsales@american-usa.com

Waterous Company
125 Hardman Avenue South
South St. Paul, Mn. 55075-1191
Phone: 888-266-3686
Fax: 800-601-2809
Email: afcsales@american-usa.com

WWW.AMERICAN-USA.COM



Ref. No.	Description	Material
3	O-Ring	Rubber
4	Upper Thrust Washer	Delrin
5	Stuffing Box Gasket	Rubber O-Ring
6	O-Ring	Rubber
7	Stuffing Box	Ductile Iron ASTM A536
8	Bonnet	Ductile Iron ASTM A536
10	Throat Flange Gasket	Rubber
11	Valve Body	Ductile Iron ASTM A536
12	Stem	Cast Bronze, ASTM B763, UNS C99500
13	Wedge Nut	Red Brass, ASTM B62, UNS C83600
14	Resilient Wedge	EPDM Rubber Encapsulated Ductile Iron ASTM A536
15	Wedge Cover	Acetal Polymer
16	Wedge Cover Pin	Acetal Polymer
17	Hex Head Bolt	304 Stainless Steel
18	Hex Nut	304 Stainless Steel
20	Pipe Plug	Stainless Steel
21	Lower Thrust Washer	Delrin
22	Stud	304 Stainless Steel
23	Hex Nut	304 Stainless Steel
25	Key	Hardened Steel
27	Bevel Gear Actuator Assembly	AFC or Rotork (8:1)
28	Socket Head Capscrew	304 Stainless Steel
30	Hex Head Bolt	Zinc Plated Steel
31	Washer	Steel
83	Actuator Gasket	Rubber

OPTIONAL MATERIALS ARE AS FOLLOWS

BOLTS and NUTS: 316 Stainless Steel

STEM: 316 Stainless Steel

Open Direction Left(C.C.W.) Right(C.W.)

Construction shown is typical of the 42-inch size with mechanical joint end connections and is illustrative only. Construction of other sizes and end connection types vary slightly. See elsewhere on this drawing for specific details.

NOTES:

1. Bolt pattern of class 125 flanged ends are in accordance with ANSI/AWWA C110/A21.10 (ASME B16.1 class 125).
2. Mechanical joint ends are in accordance with ANSI/AWWA C111/A21.53 and MSS SP-113.
3. Raised alignment ring dimensions of flanged ends on tapping valves are in accordance with MSS SP-60.
4. Fusion-bonded epoxy coated in accordance with AWWA C550.
5. Certified to NSF/ANSI/CAN 61 & NSF/ANSI 372.
6. Meets requirements of AWWA C515 with rated working pressure of 250 psig.
7. Gearing provided may be AFC or Rotork as shown in Material.



AMERICAN
FLOW CONTROL

THE RIGHT WAY

AMERICAN Flow Control
P.O. Box 2727
Birmingham, Al. 35202-2727
Phone: 800-326-8051
Fax: 800-610-3569
Email: afcsales@american-usa.com

Waterous Company
125 Hardman Avenue South
South St. Paul, Mn. 55075-1191
Phone: 888-266-3686
Fax: 800-601-2809
Email: afcsales@american-usa.com

WWW.AMERICAN-USA.COM