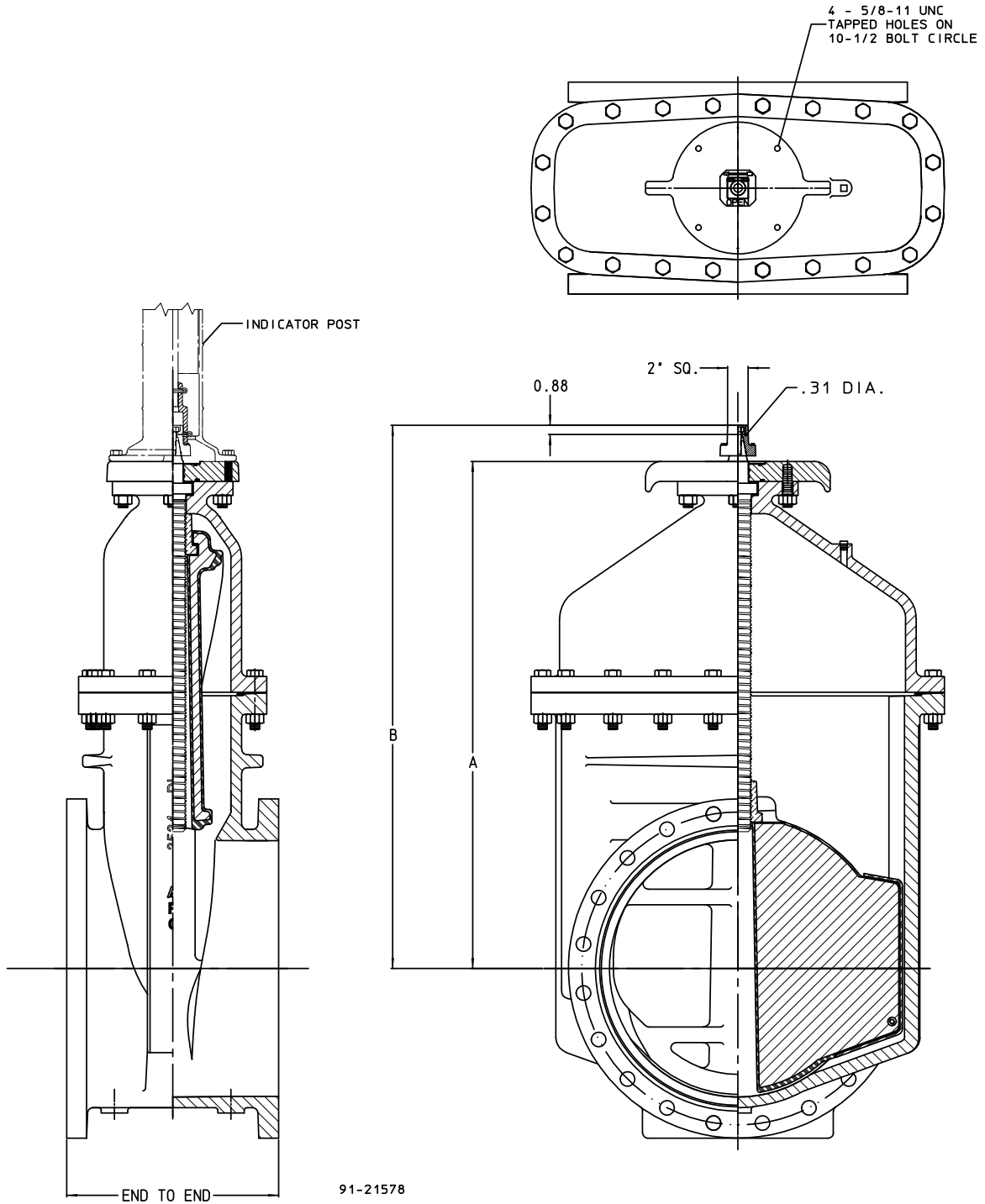


AMERICAN Flow Control Submittal

20" & 24" SERIES 2500 RESILIENT WEDGE GATE VALVE NRS CLASS 125

FLANGED ENDS (FLG X FLG) WITH PIV PLATE,



VALVE SIZE	DIMENSION		
	A	B	END TO END FLANGE X FLANGE
20"	39.69	43.25	18.00
24"	47.84	51.25	20.00



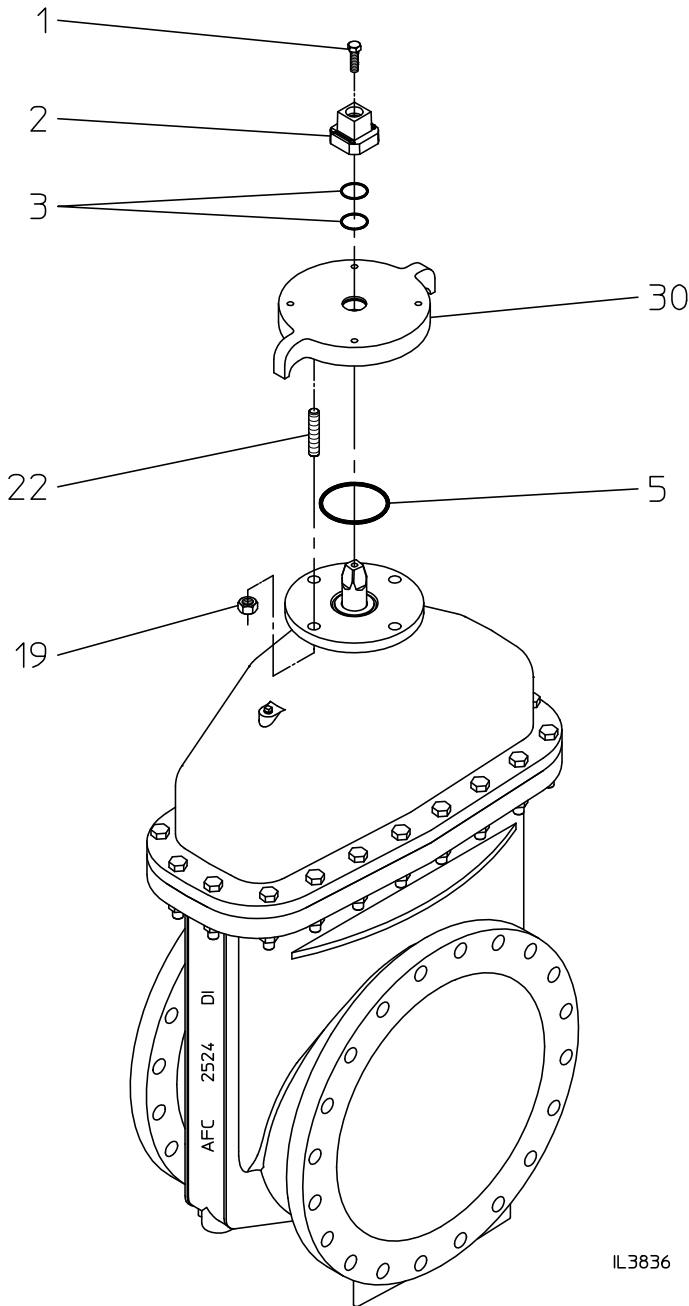
AMERICAN
FLOW CONTROL

THE RIGHT WAY

AMERICAN Flow Control
P.O. Box 2727
Birmingham, Al. 35202-2727
Phone: 800-326-8051
Fax: 800-610-3569
Email: afcsales@american-usa.com

Waterous Company
125 Hardman Avenue South
South St. Paul, Mn. 55075-1191
Phone: 888-266-3686
Fax: 800-601-2809
Email: afcsales@american-usa.com

WWW.AMERICAN-USA.COM



REF NO.	DESCRIPTION	MATERIAL
1	Hex Head Bolt	304 Stainless Steel
2	Wrench Nut	Ductile Iron ASTM A536
3	O-Ring	Rubber
5	Stuffing Box Gasket	Rubber O-Ring
19	Hex Nut	304 Stainless Steel
22	Stud	304 Stainless Steel
30	Indicator Plate	Ductile Iron ASTM A536

OPTIONAL MATERIALS ARE AS FOLLOWS

BOLTS and NUTS: 316 Stainless Steel

Open Direction Left(C.C.W.) Right(C.W.)

NOTES:

1. 20 & 24 size available in configurations that are UL listed with 250 psig rated working pressure.
3. Meets requirements of AWWA C515 with rated working pressure of 250 psig.
4. Fusion-bonded epoxy-coated in accordance with AWWA C550.
5. Certified to NSF/ANSI 61 & 372.

IL3836

Illustration shown is for parts used with Indicator Post mounting design. For all other dimensions and parts for 20" and 24" FLG x FLG see submittal drawing GV11014.



AMERICAN
FLOW CONTROL

THE RIGHT WAY

AMERICAN Flow Control
P.O. Box 2727
Birmingham, Al. 35202-2727
Phone: 800-326-8051
Fax: 800-610-3569
Email: afcsales@american-usa.com

Waterous Company
125 Hardman Avenue South
South St. Paul, Mn. 55075-1191
Phone: 888-266-3686
Fax: 800-601-2809
Email: afcsales@american-usa.com

WWW.AMERICAN-USA.COM