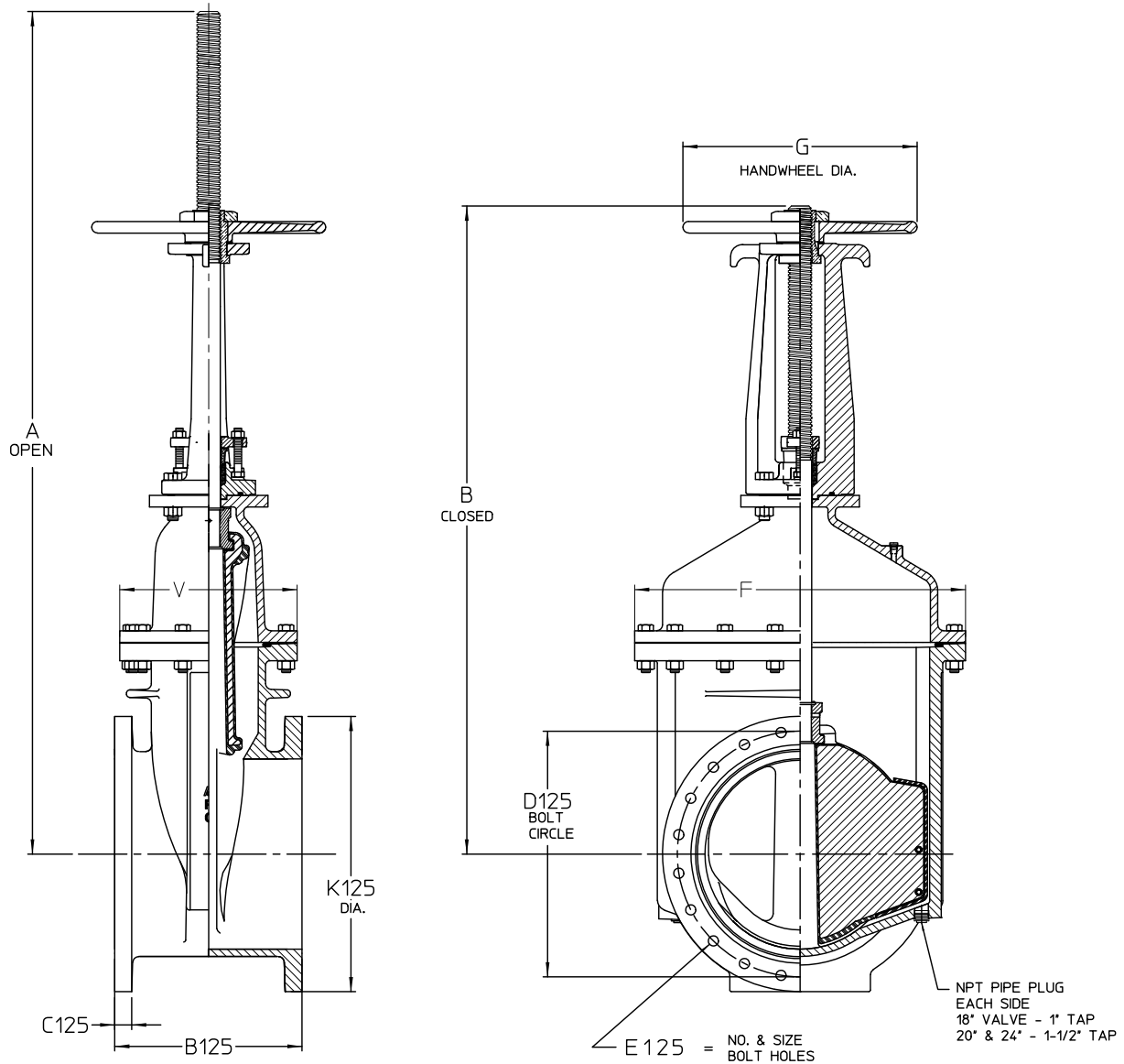


AMERICAN Flow Control Submittal Information

14" - 24" SERIES 2500 RESILIENT WEDGE GATE VALVE OS&Y CLASS 125 FLANGED ENDS (FLG X FLG)



91-21527

Size	14"	16"	18"	20"	24"
A	66.13	72.00	81.25	88.00	105.25
B	51.75	55.25	62.63	67.31	79.88
B125	15.00	16.00	17.00	18.00	20.00
C125	1.38	1.44	1.56	1.69	1.88
D125	18.75	21.25	22.75	25.00	29.50
E125	12 - 1.13	16 - 1.13	16 - 1.25	20 - 1.25	20 - 1.38
F	26.00	28.25	32.00	34.50	39.00
G	20.00	20.00	28.00	28.00	28.00
K125	21.00	23.50	25.00	27.50	32.00
V	13.50	15.13	15.00	16.25	17.75
Turns to Open	44	50	56	62	76
Weight	670 lbs.	820 lbs.	1100 lbs.	1520 lbs.	2300 lbs.



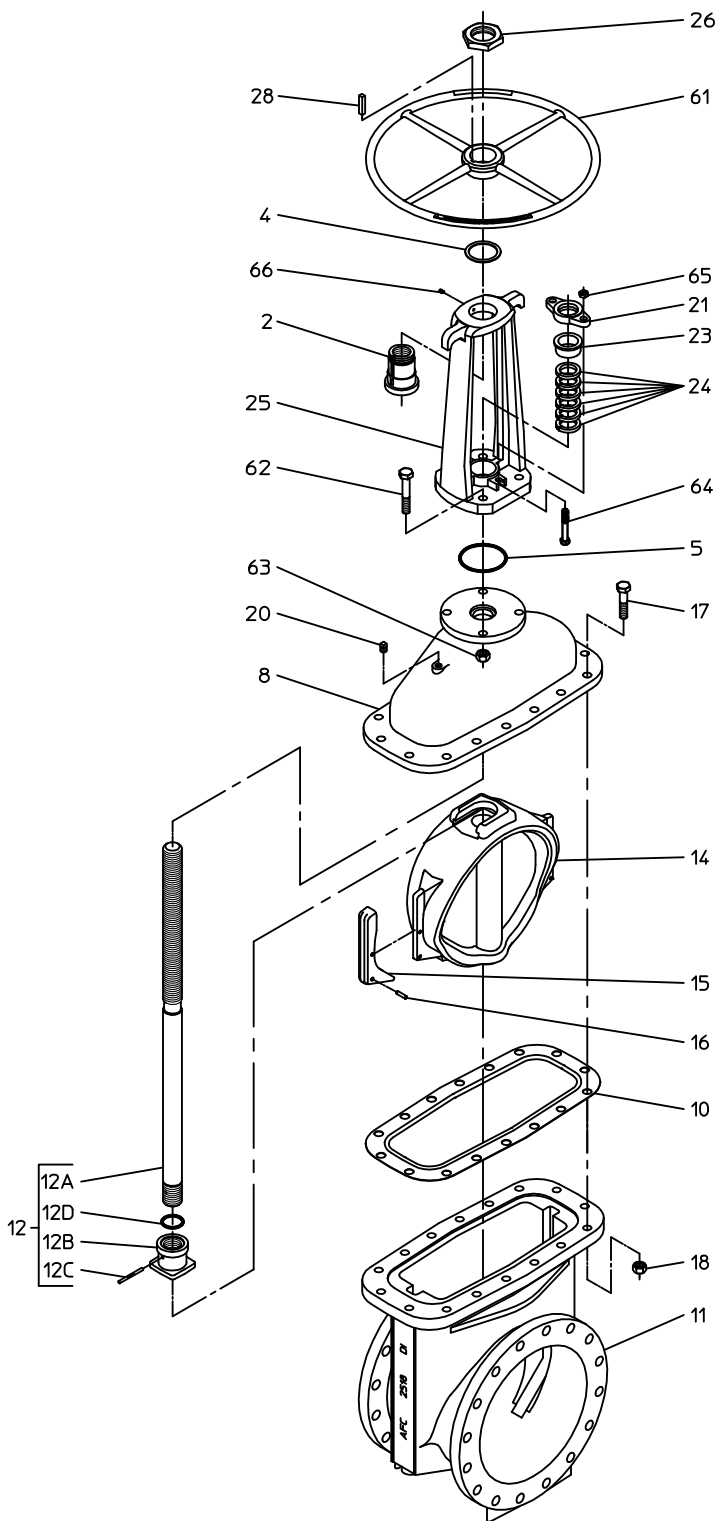
AMERICAN
FLOW CONTROL

THE RIGHT WAY

AMERICAN Flow Control
P.O. Box 2727
Birmingham, Al. 35202-2727
Phone: 800-326-8051
Fax: 800-610-3569
Email: afcsales@american-usa.com

Waterous Company
125 Hardman Avenue South
South St. Paul, Mn. 55075-1191
Phone: 888-266-3686
Fax: 800-601-2809
Email: afcsales@american-usa.com

WWW.AMERICAN-USA.COM



91-21575

Ref. No.	Description	Material
2	Yoke Nut	Bronze
4	Handwheel Washer	Nylon
5	Stuffing Box Gasket	Rubber O-ring
8	Bonnet	Ductile Iron ASTM A536
10	Bonnet Gasket	Rubber
11	Body	Ductile Iron ASTM A536
12	Stem & Wedge Nut Assembly	See Below
12A	Stem	Stainless Steel
12B	Wedge Nut	Ductile Iron ASTM A536
12C	Groove Pin	Stainless Steel
12D	O-ring	Rubber
14	Resilient Wedge	Ductile Iron, Coated with EPDM Rubber
15	Wedge Cover	Polymer
16	Wedge Cover Pin	Polymer
17	Hex Head Bolt	304 Stainless Steel
18	Hex Nut	304 Stainless Steel
20	Pipe Plug, 3/8 NPT	Stainless Steel
21	Gland Follower	Ductile Iron ASTM A536
23	Gland	Bronze
24	Packing Ring	PTFE Impregnated Braided Graphite
25	Yoke	Ductile Iron ASTM A536
26	Handwheel Nut	Bronze
28	Square Key	Stainless Steel
61	Handwheel	Ductile Iron ASTM A536
62	Hex Head Bolt	304 Stainless Steel
63	Hex Nut	304 Stainless Steel
64	Hex Head Bolt	304 Stainless Steel
65	Hex Nut	Brass
66	Zerk Fitting	Stainless Steel

OPTIONAL MATERIALS ARE AS FOLLOWS

BOLTS and NUTS: 316 Stainless Steel

Open Direction Left(C.C.W.) Right(C.W.)

NOTES:

1. Bolt patterns of class 125 flanged ends are in accordance with ANSI/AWWA C110/A21.10 (AMSE B16.1 class 125).
2. Fusion-bonded epoxy-coated in accordance with AWWA C550.
3. Certified to NSF/ANSI/CAN 61 & NSF/ANSI 372.
4. Meets requirements of AWWA C515 with rated working pressure of 250 psig.
5. 14, 16, 18, and 24-inch sizes available in configurations that are UL Listed with 200 psig rated working pressure and FM Approved with 250 psig rated working pressure.
6. 20-inch sizes available in configurations that are UL Listed and FM Approved with 250 psig rated working pressure.



AMERICAN
FLOW CONTROL

THE RIGHT WAY

AMERICAN Flow Control
P.O. Box 2727
Birmingham, Al. 35202-2727
Phone: 800-326-8051
Fax: 800-610-3569
Email: afcsales@american-usa.com

Waterous Company
125 Hardman Avenue South
South St. Paul, Mn. 55075-1191
Phone: 888-266-3686
Fax: 800-601-2809
Email: afcsales@american-usa.com

WWW.AMERICAN-USA.COM