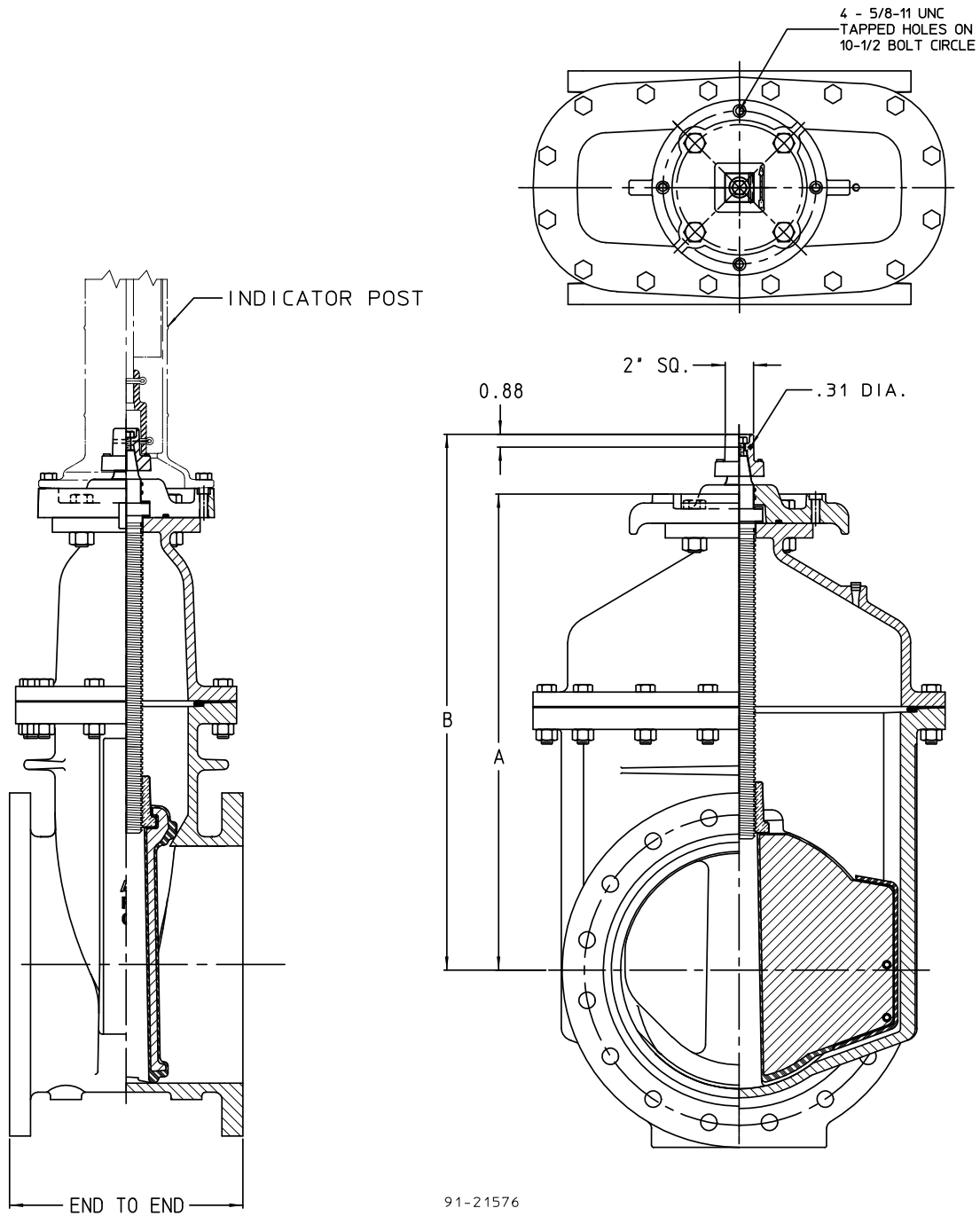


AMERICAN Flow Control Submittal Information

14" - 18" SERIES 2500 RESILIENT WEDGE GATE VALVE, NRS CLASS 125 FLANGED ENDS (FLG X FLG) WITH PIV PLATE



VALVE SIZE	DIMENSION		
	A	B	END TO END FLANGE X FLANGE
14"	29.06	33.25	15.00
16"	32.63	36.75	16.00
18"	35.50	39.63	17.00



AMERICAN
FLOW CONTROL

THE RIGHT WAY

AMERICAN Flow Control
P.O. Box 2727
Birmingham, Al. 35202-2727
Phone: 800-326-8051
Fax: 800-610-3569
Email: afcsales@american-usa.com

Waterous Company
125 Hardman Avenue South
South St. Paul, Mn. 55075-1191
Phone: 888-266-3686
Fax: 800-601-2809
Email: afcsales@american-usa.com

WWW.AMERICAN-USA.COM

REF NO.	DESCRIPTION	MATERIAL
1	Hex Head Bolt	304 Stainless Steel
2	Wrench Nut	Ductile Iron ASTM A536
3	O-Ring	Rubber
5	Stuffing Box Gasket	Rubber O-Ring
9	Hex Head Bolt	304 Stainless Steel
19	Hex Nut	304 Stainless Steel
30	Indicator Plate	Ductile Iron ASTM A536

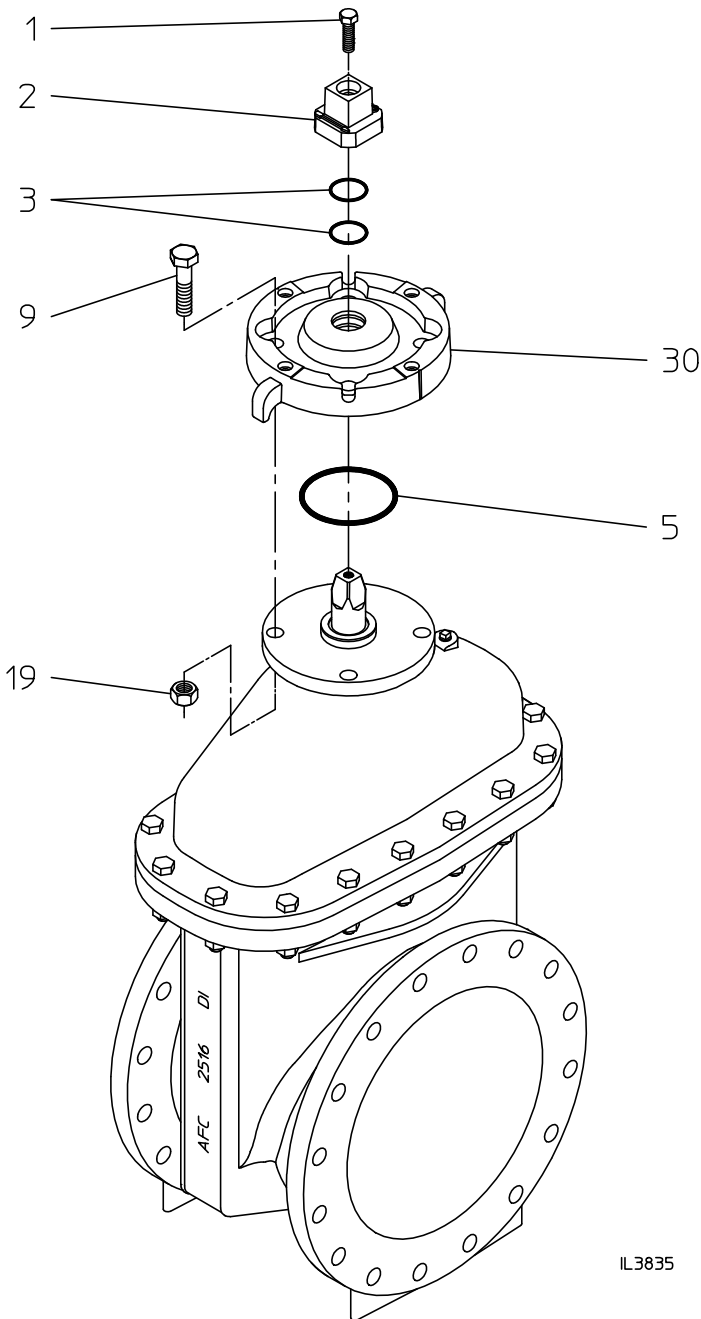
OPTIONAL MATERIALS ARE AS FOLLOWS

BOLTS and NUTS: 316 Stainless Steel

Open Direction Left(C.C.W.) Right(C.W.)

NOTES:

- 14, 16, and 18-inch sizes available in configurations that are UL Listed and FM Approved with 250 psig rated working pressure.
- Meets requirements of AWWA C515 with rated working pressure of 250 psig.
- Fusion-bonded epoxy-coated in accordance with AWWA C550.
- Certified to NSF/ANSI 61 & 372.



IL3835

Illustration shown is for parts used with Indicator Post mounting design. For all other dimensions and parts for 14"–18" FLG x FLG, see submittal drawing GV11014.



AMERICAN
FLOW CONTROL

THE RIGHT WAY

AMERICAN Flow Control
P.O. Box 2727
Birmingham, Al. 35202-2727
Phone: 800-326-8051
Fax: 800-610-3569
Email: afcsales@american-usa.com

Waterous Company
125 Hardman Avenue South
South St. Paul, Mn. 55075-1191
Phone: 888-266-3686
Fax: 800-601-2809
Email: afcsales@american-usa.com

WWW.AMERICAN-USA.COM