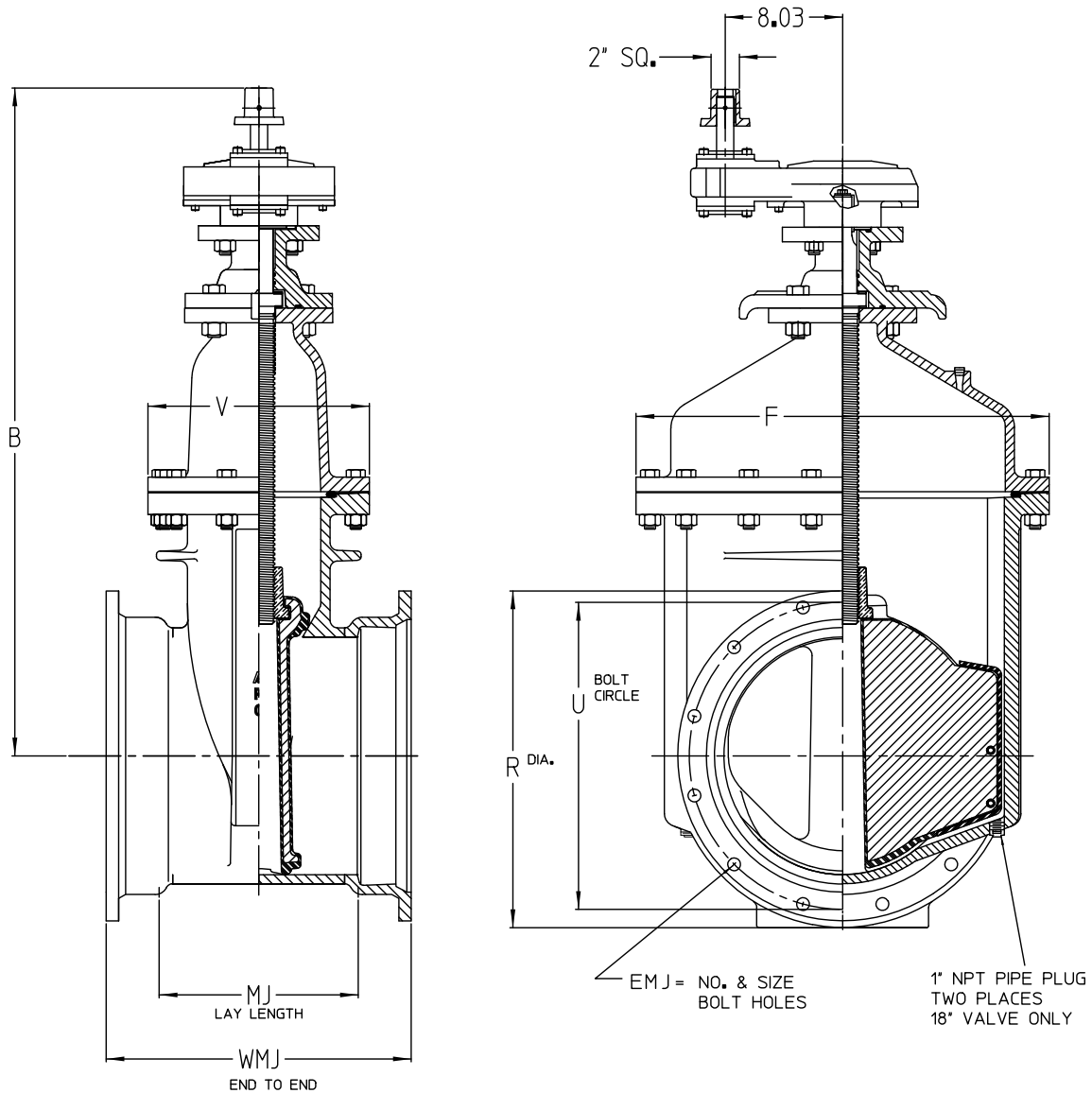


AMERICAN Flow Control Submittal Information

14" - 18" SERIES 2500 RESILIENT WEDGE GATE VALVE NRS MECHANICAL JOINT ENDS WITH SPUR GEAR ACTUATOR (MJ X MJ)



91-21396

Size	14"	16"	18"
B	42.00	45.50	51.38
EMJ	10 - .88	12 - .88	12 - .88
F	26.00	28.25	32.00
MJ	13.50	13.88	16.00
R	20.31	22.56	24.88
U	18.75	21.00	23.25
V	13.50	15.13	15.00
WMJ	20.50	20.88	23.00
Turns to Open	88	100	112
Weight	780 lbs.	973 lbs.	1248 lbs.



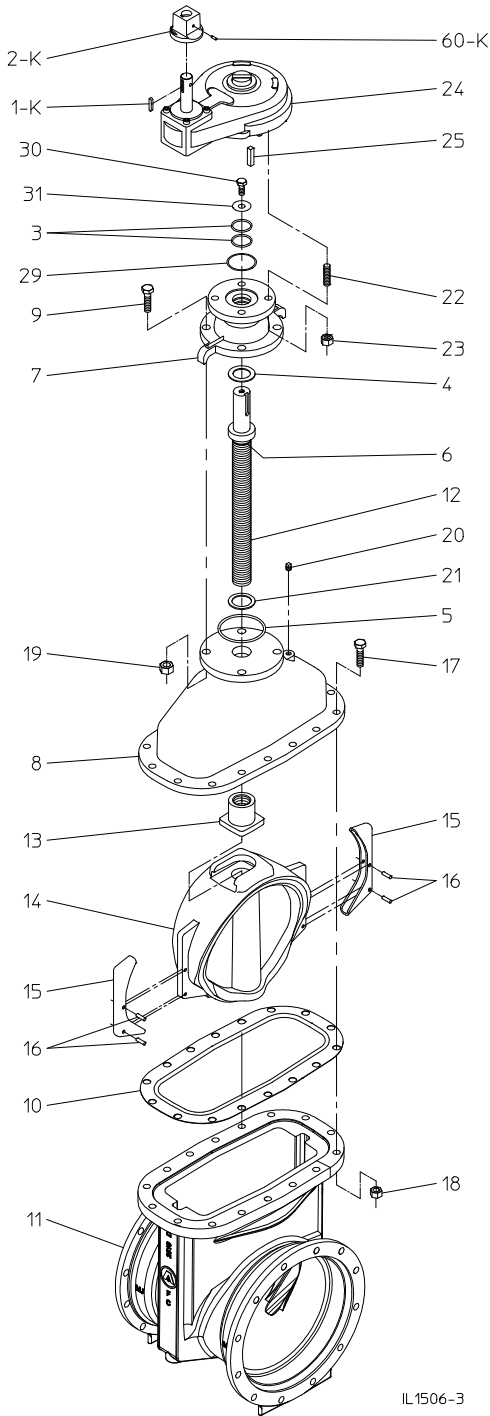
AMERICAN
FLOW CONTROL

THE RIGHT WAY

AMERICAN Flow Control
P.O. Box 2727
Birmingham, Al. 35202-2727
Phone: 800-326-8051
Fax: 800-610-3569
Email: afcsales@american-usa.com

Waterous Company
125 Hardman Avenue South
South St. Paul, Mn. 55075-1191
Phone: 888-266-3686
Fax: 800-601-2809
Email: afcsales@american-usa.com

WWW.AMERICAN-USA.COM



Ref. No.	Description	Material
1-K	Key for operating nut	Steel
2-K	Operating Nut	Ductile Iron ASTM A536
3	O-Ring	Rubber
4	Upper Thrust Washer	Delrin
5	Stuffing Box Gasket	Rubber O-Ring
6	O-Ring	Rubber
7	Stuffing Box	Ductile Iron ASTM A536
8	Bonnet	Ductile Iron ASTM A536
9	Hex Head Bolt	304 Stainless Steel
10	Throat Flange Gasket	Rubber
11	Valve Body	Ductile Iron ASTM A536
12	Stem	Manganese Bronze, ASTM B763, UNS C86700
13	Wedge Nut	Silicon Bronze, ASTM B584, UNS C87600
14	Resilient Wedge	EPDM Rubber Encapsulated Ductile Iron ASTM A536
15	Wedge Cover	Acetal Polymer
16	Wedge Cover Pin	Acetal Polymer
17	Hex Head Bolt	304 Stainless Steel
18	Hex Nut	304 Stainless Steel
19	Hex Nut	304 Stainless Steel
20	Pipe Plug	Stainless Steel
21	Lower Thrust Washer	Delrin
22	Stud	304 Stainless Steel
23	Hex Nut	304 Stainless Steel
24	Spur Gear Actuator	Rotork IS-5 (2:1)
25	Key	Hardened Steel
29	Actuator Gasket	Rubber O-Ring
30	Hex Head Bolt	Zinc Plated Steel
31	Washer	Steel
60-K	Pin for Operating Nut	Stainless Steel

OPTIONAL MATERIALS ARE AS FOLLOWS

BOLTS and NUTS: 316 Stainless Steel

STEM: Cast NDZ-S Bronze, ASTM B763, UNS C99500

STEM: 304 Stainless Steel

STEM: 316 Stainless Steel

Open Direction Left(C.C.W.) Right(C.W.)

Construction shown is typical of the 16-inch size with mechanical joint end connections and is illustrative only. Construction of other sizes and end connection types vary slightly. See elsewhere on this drawing for specific details.

NOTES:

1. Mechanical joint ends are in accordance with ANSI/AWWA C111/A21.11.
2. Fusion-bonded epoxy coated in accordance with AWWA C550.
3. Certified to NSF/ANSI 61 & 372.
4. Meets requirements of AWWA C515 with rated working pressure of 250 psig.



AMERICAN
FLOW CONTROL

THE RIGHT WAY

AMERICAN Flow Control
P.O. Box 2727
Birmingham, Al. 35202-2727
Phone: 800-326-8051
Fax: 800-610-3569
Email: afcsales@american-usa.com

Waterous Company
125 Hardman Avenue South
South St. Paul, Mn. 55075-1191
Phone: 888-266-3686
Fax: 800-601-2809
Email: afcsales@american-usa.com

WWW.AMERICAN-USA.COM