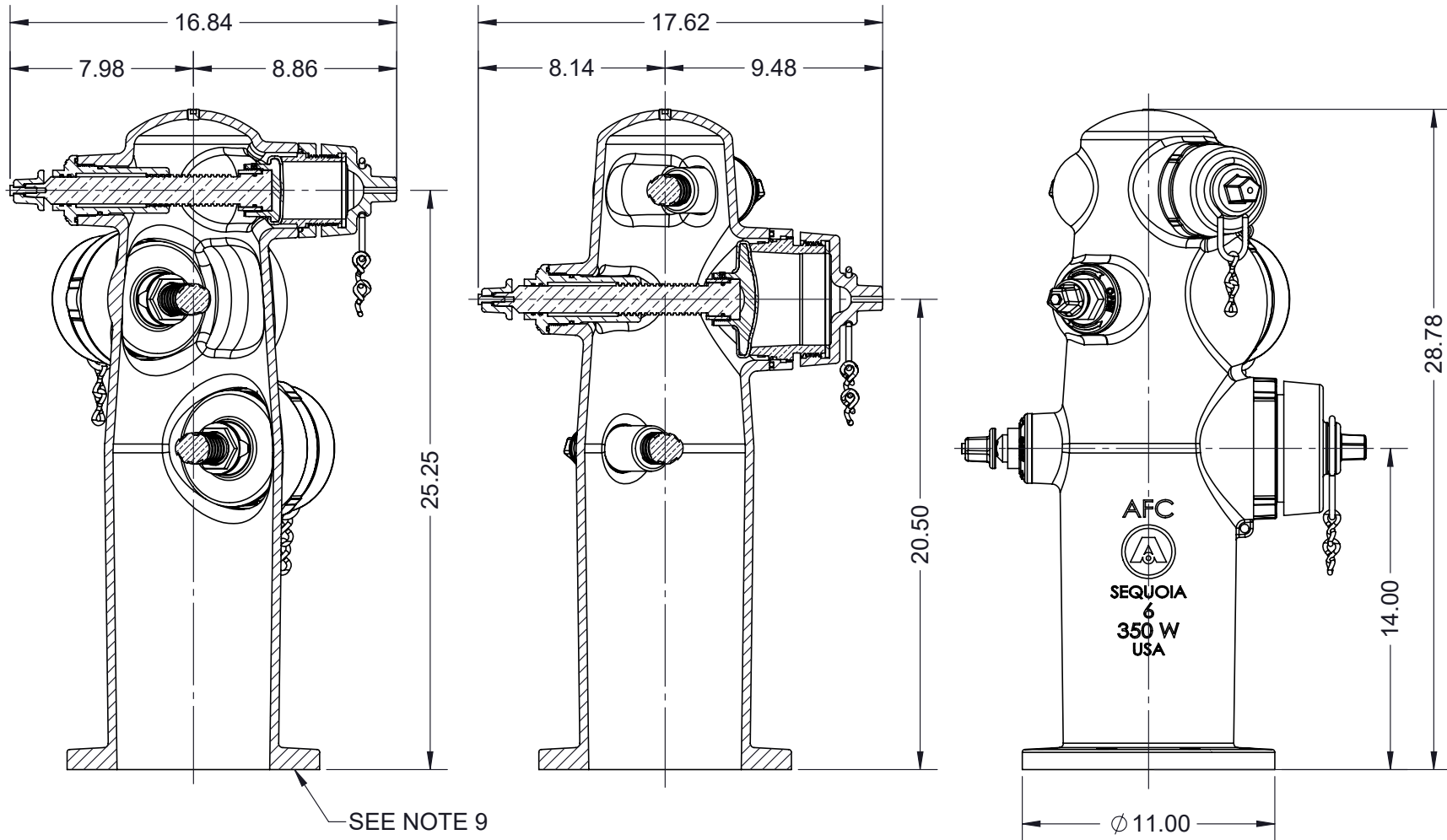


AMERICAN Flow Control® Submittal Information

SEQUOIA™ WET BARREL FIRE HYDRANT, 3-WAY



SEE NOTE 9

NOTES:

1. Available in configurations that meet or exceed requirements of ANSI/AWWA C503 with 350 psig rated working pressure.
2. UL Listed and FM Approved with 350 psig rated working pressure.
3. Certified to NSF/ANSI/CAN 61 and 372.
4. Interior surfaces of barrel are fusion-bonded epoxy-coated in accordance with ANSI/AWWA C550.
5. Hose outlet threads are 2.5-7.5 NH (2-1/2-inch National Standard).
6. Pumper outlet threads available: 4-4 NH (4-inch National Standard) or 4.5-4 NH (4-1/2-inch National Standard).
7. Counterclockwise opening direction (open-left).
8. Operating nuts and nozzle cap wrench nuts are available in #2 (1-1/8-inch pentagon) and #5 (1-1/2-inch pentagon).
9. Flange machining options: (1) ANSI eight-bolt (shown), (2) AWWA C503 six-bolt, or (3) San Diego six-bolt.

IL8602



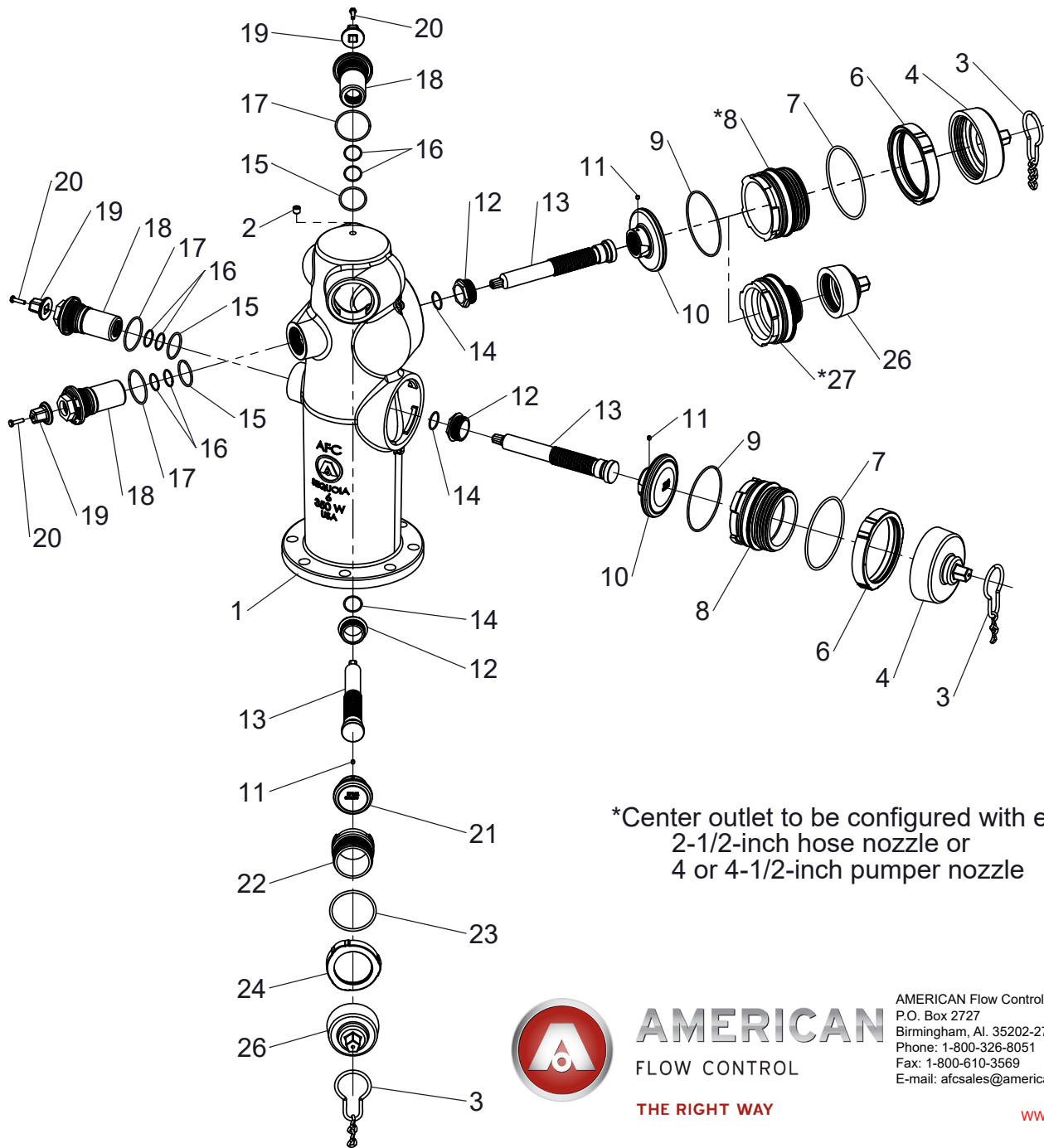
AMERICAN
FLOW CONTROL

THE RIGHT WAY

AMERICAN Flow Control
P.O. Box 2727
Birmingham, Al. 35202-2727
Phone: 1-800-326-8051
Fax: 1-800-610-3569
E-mail: afcsales@american-usa.com

Waterous Company
125 Hardman Avenue South
South St. Paul, Mn. 55075-1191
Phone: 1-888-266-3686
Fax: 1-800-601-2809
E-mail: afcsales@american-usa.com

WWW.AMERICAN-USA.COM



*Center outlet to be configured with either:
 2-1/2-inch hose nozzle or
 4 or 4-1/2-inch pumper nozzle

IL8602



AMERICAN
 FLOW CONTROL

THE RIGHT WAY

AMERICAN Flow Control
 P.O. Box 2727
 Birmingham, Al. 35202-2727
 Phone: 1-800-326-8051
 Fax: 1-800-610-3569
 E-mail: afcsales@american-usa.com

Waterous Company
 125 Hardman Avenue South
 South St. Paul, Mn. 55075-1191
 Phone: 1-888-266-3686
 Fax: 1-800-601-2809
 E-mail: afcsales@american-usa.com

WWW.AMERICAN-USA.COM

REF NO.	DESCRIPTION	MATERIAL
1	Barrel	Ductile Iron, ASTM A536 Grade 65-45-12/Interior Surfaces Epoxy Coated, ANSI/AWWA C550
2	Headless Pipe Plug, 1/4 NPT	Stainless Steel, Type 316
3	Nozzle Cap Chain	Zinc Plated Steel
4	Nozzle Cap, Pumper	Ductile Iron, ASTM A536 Grade 65-45-12
6	Pumper Nozzle Retainer	Ductile Iron, ASTM A536 Grade 65-45-12
7	O-ring (Pumper Nozzle)	EPDM
8	Nozzle, Pumper	Bronze, ASTM B584, UNS C87600
9	O-ring (Pumper Nozzle)	EPDM
10	Pumper Valve Disc Rubber	EPDM Rubber Encapsulated Bronze, ASTM B584, UNS C87600
11	Hex Socket Set Screw, 1/4-20 x 1/4"	Stainless Steel, Type 316
12	Valve Disc Retaining Nut	Bronze, ASTM B584, UNS C87600
13	Valve Stem	Bronze, ASTM B584, UNS C87600

REF NO.	DESCRIPTION	MATERIAL
14	O-ring (Valve Disc Retaining Nut)	EPDM
15	O-ring (Stuffing Box)	EPDM
16	O-ring (Stuffing Box)	EPDM
17	O-ring (Stuffing Box)	EPDM
18	Stuffing Box	Bronze, ASTM B584, UNS C87600
19	Stem Nut	Ductile Iron, ASTM A536 Grade 65-45-12
20	Hex Head Bolt, 1/4-20 x 1"	Stainless Steel, Type 316
21	Hose Valve Disc Rubber	EPDM Rubber Encapsulated Bronze, ASTM B584, UNS C87600
22	Nozzle, Hose	Brass, ASTM B505, UNS C83600
23	O-ring (Hose Nozzle)	EPDM
24	Hose Nozzle Retainer	Ductile Iron, ASTM A536 Grade 65-45-12
26	Nozzle Cap, Hose	Ductile Iron, ASTM A536 Grade 65-45-12
27	Nozzle, Pumper to Hose	Bronze, ASTM B584, UNS C87600



AMERICAN
FLOW CONTROL

THE RIGHT WAY

AMERICAN Flow Control
P.O. Box 2727
Birmingham, Al. 35202-2727
Phone: 1-800-326-8051
Fax: 1-800-610-3569
E-mail: afcsales@american-usa.com

Waterous Company
125 Hardman Avenue South
South St. Paul, Mn. 55075-1191
Phone: 1-888-266-3686
Fax: 1-800-601-2809
E-mail: afcsales@american-usa.com

WWW.AMERICAN-USA.COM