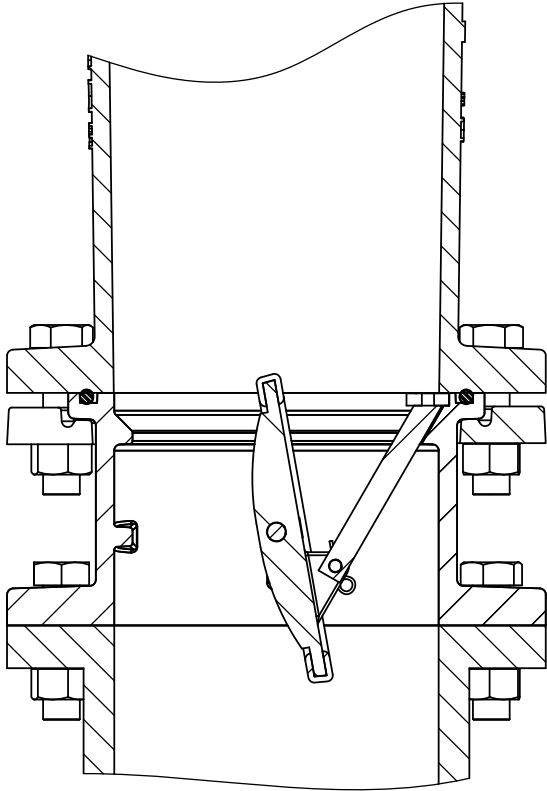
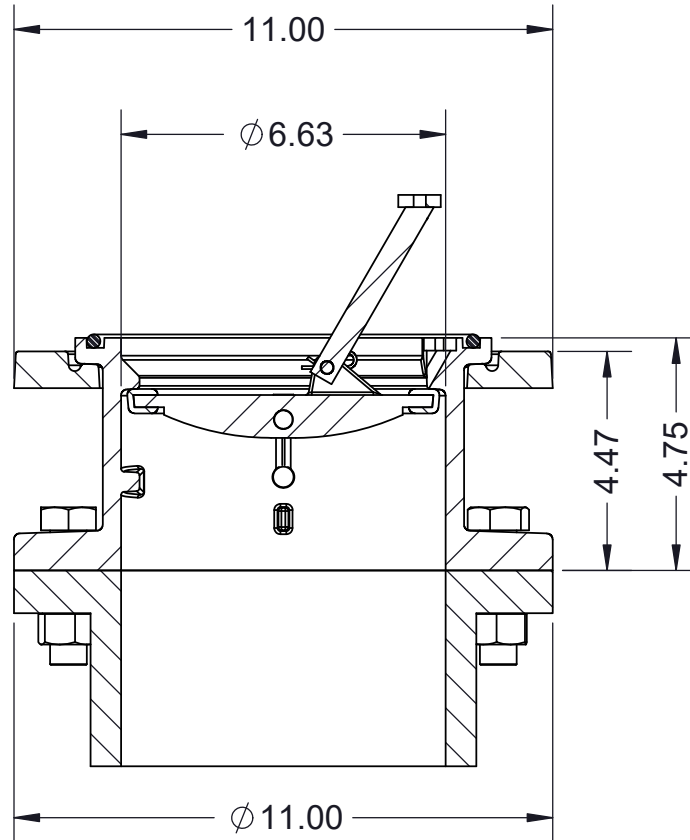


AMERICAN Flow Control® Submittal Information

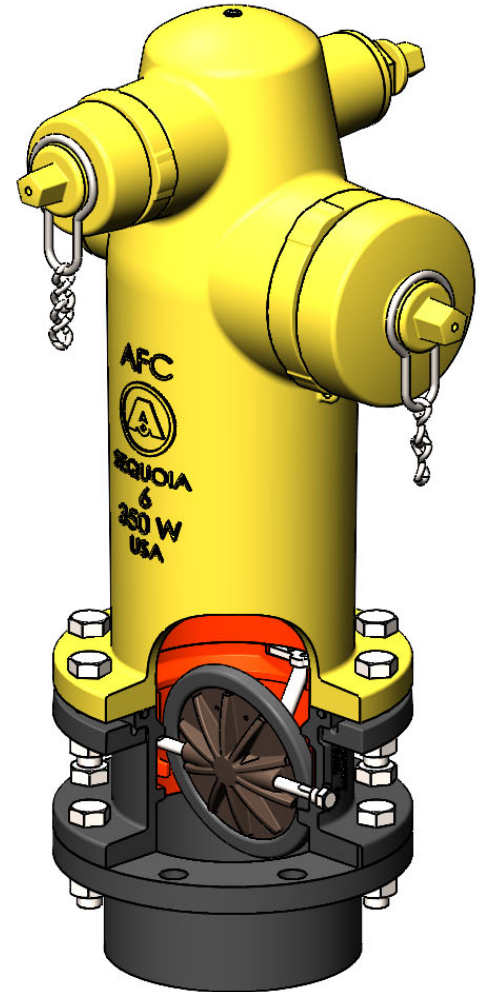
SEQUOIA™ CHECK VALVE



Open Position



Closed Position



IL8603

NOTES:

1. Meets or exceeds applicable requirements of ANSI/AWWA C503 with 350 psig rated working pressure.
2. Interior surfaces of the body are fusion-bonded epoxy-coated in accordance with ANSI/AWWA C550.
3. Available machining options for body and breakable flanges: (1) ANSI eight-bolt (shown), (2) AWWA C503 six-bolt, or (3) San Diego six-bolt.



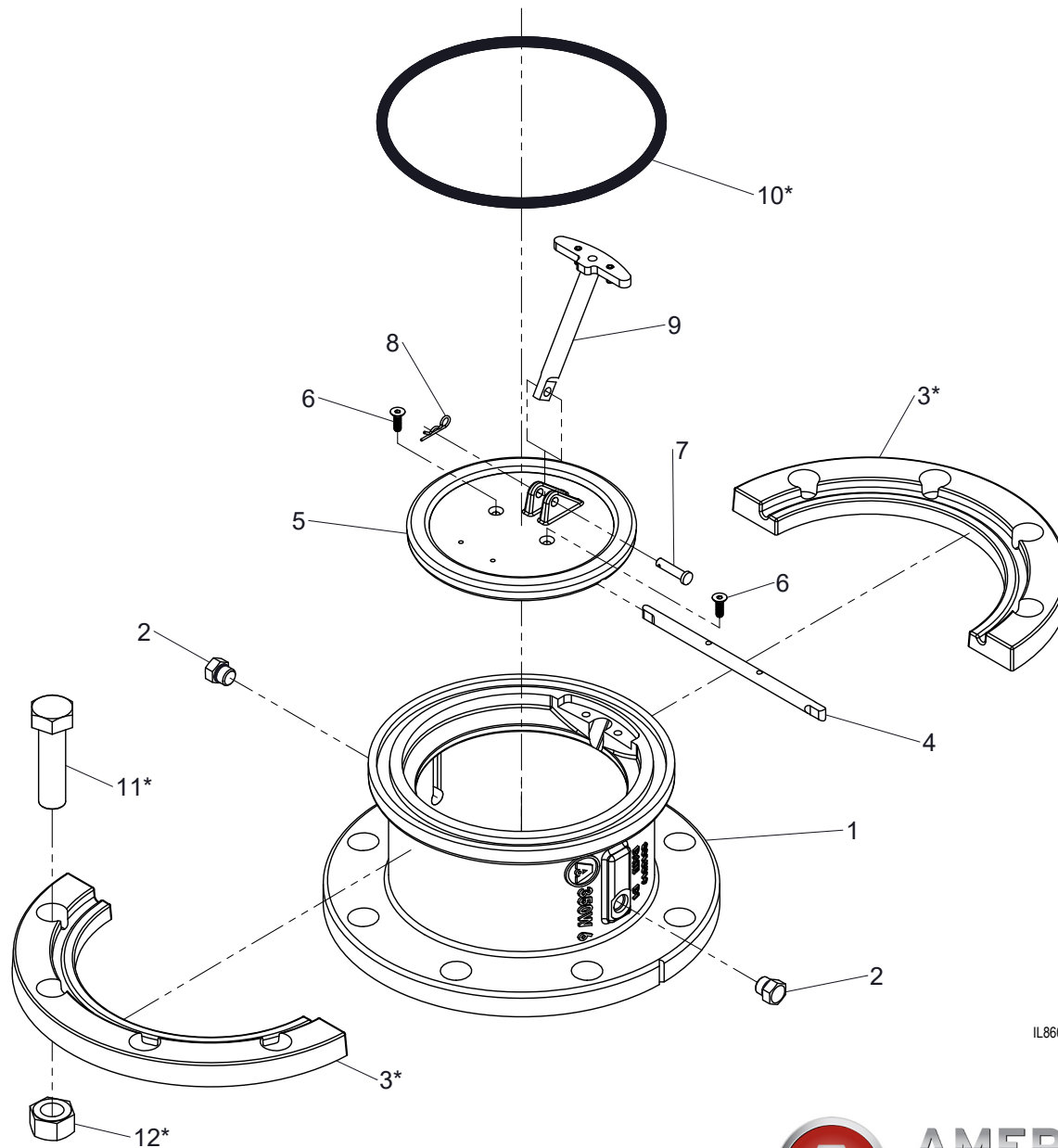
AMERICAN
FLOW CONTROL

THE RIGHT WAY

AMERICAN Flow Control
P.O. Box 2727
Birmingham, Al. 35202-2727
Phone: 1-800-326-8051
Fax: 1-800-610-3569
E-mail: afcsales@american-usa.com

Waterous Company
125 Hardman Avenue South
South St. Paul, Mn. 55075-1191
Phone: 1-888-266-3686
Fax: 1-800-610-2809
E-mail: afcsales@american-usa.com

WWW.AMERICAN-USA.COM



REF NO.	DESCRIPTION	MATERIAL
1	Body	Ductile Iron, ASTM A536 Grade 65-45-12/Interior Surfaces Epoxy Coated, ANSI/AWWA C550
2	Hex Head Plug	Stainless Steel, Type 316
3*	Breakable Flange	Gray Iron, ASTM A48 Class 40B
4	Shaft	Stainless Steel, Type 316
5	Disc	EPDM Encapsulated Bronze, ASTM B584, UNS C87600
6	Flat Head Hex Socket Screw, 10-32 x 5/8"	Stainless Steel, Type 316
7	Clevis Pin, 1/4 x 1-1/8"	Stainless Steel, Type 316
8	Hairpin Cotter Pin	Stainless Steel, Type 18-8
9	Activation Assembly	Stainless Steel
10*	O-ring	EPDM
11*	Hex Head Bolt	Stainless Steel, Type 316
12*	Hex Nut	Stainless Steel, Type 316

*Note: These parts are shipped loose and are assembled to the check valve at the time of installation.

IL8603



AMERICAN
FLOW CONTROL

THE RIGHT WAY

AMERICAN Flow Control
P.O. Box 2727
Birmingham, Al. 35202-2727
Phone: 1-800-326-8051
Fax: 1-800-610-3569
E-mail: afcsales@american-usa.com

Waterous Company
125 Hardman Avenue South
South St. Paul, Mn. 55075-1191
Phone: 1-888-266-3686
Fax: 1-800-601-2809
E-mail: afcsales@american-usa.com

WWW.AMERICAN-USA.COM